

IFB# GHURA-06-06-2022-AMP4 (RE-BID)

**Specification
for the**

Drainage Correction GH250, Toto Gardens

**OWNER
Guam Housing and Urban Renewal Authority**

**BY: _____
Elizabeth F. Napoli, Acting EXECUTIVE DIRECTOR**

Contractor: _____

**By: _____
Signature and Title**

Date: _____

Table of Contents

IFB Number: GHURA-06-06-2022-AMP4 (RE-BID)		Submit bid to: GHURA 117 Bien Venida Ave. Sinajana, Guam 96910 Contact: Sonny Perez, 475-1404 or email sperez@ghura.org Michael Recuyal, 475-1318 or email msrecuyal@ghura.org
Bid Opening Date: June 21 ,2022	Bid Opening Time: 2:00 pm	
Project Title: Drainage Correction GH250, Toto Gardens		
Project Description: Design and Construction of Storm Drainage		

Section	Title
01	Cover and Title Page
02	Table of Contents
<hr/>	
Bidding Requirements	
03	Invitation for bids
04	Instructions to Bidders/Offerors HUD Form 5369
05	Representations, Certifications, and Other Statements of Bidders– HUD Form 5369-a
AG Forms	
06	Affidavit Disclosing Ownership & Commission - AG Form 002
06a	Affidavit re Non-Collusion - AG Form 003
06b	Affidavit re No Gratuities or Kickbacks - AG Form 004
06c	Affidavit re Ethical Standards - AG Form 005
06d	Affidavit re Contingent Fees - AG Form 007
Contracting Requirements	
07	Non- Collusion Affidavit and Section 3 preference in contracting – GHURA Form – 01B
08	Additional Supplemental Conditions - Mandatory Compliance for Section 3 - GHURA Form 13
09	Law to be observed – GHURA Form 09
010	Bidder’s Qualification – GHURA Form 010
011	Supplemental General Conditions – HUD Form 5370
012	Wage Rates Transcript/ General Decision
013	Federal Labor Standards – HUD Form 4010
015	Bid Bond – GHURA Form 016
016	Contractor’s Reporting Requirements-Contractor License
017	Form of Contract – GHURA Form 019
018	Bid Form – GHURA Form 014
019	Insurances- see General Conditions
Specification	
020	Special Condition and Project Location
021	Project Manual and Specifications



GHURA

Guahan Housing and Urban Renewal Authority
Aturidat Ginima' Yan Rinueban Siudad Guahan
117 Bien Venida Avenue, Sinajana, GU 96910
Phone: (671) 477-9851 · Fax: (671) 300-7565 · TTY: (671) 472-3701



Lourdes A. Leon Guerrero
Governor of Guam

Joshua F. Tenorio
Lt. Governor of Guam

Invitation for Bid
IFB#GHURA-06-06-2022-AMP4 (RE-BID)
Drainage Correction GH250, Toto Gardens
This ad is paid with HUD Funds by GHURA

Guam Housing and Urban Renewal Authority (GHURA) will receive sealed bids for the design and construction of storm drainage correction located in GHURA 250, Toto Gardens until **2:00 pm on June 21, 2022**, at GHURA's Main office in Sinajana.

GHURA has redesigned the bid process to comply with Executive Order 2020-14. GHURA maintains and enforces health and safety mitigation measures (i.e. social distancing, wearing of mask, frequent sanitization, occupancy limitation, etc.) which are outlined in the Guam DPHSS guidelines. An instructional video outlining the new bid process, the bid packet and bid forms are available on our website at:

<https://www.ghura.org/doing-business-us/bidsproposalsrelease-funds/invitation-bids>

To be deemed official, a non-refundable bid packet fee of \$50.00 (exact cash amount, money order, or company check) is required and can be submitted prior to or upon submission of a bid. A pre-bid conference will be held on **June 9, 2022 at 10:00 AM** in the **GHURA Main Office Conference Room** in Sinajana. Any questions regarding the project or requirements must be submitted in writing or via email to Greta Balmeo at gbalmeo@ghura.org no later than **June 14, 2022**. Bid closing date and time is **June 21, 2022 at 2:00 PM**. All bid submittals will be opened publicly at **GHURA's Main Office Conference Room**, Sinajana.

Pursuant to 5GCA, Chapter 5, §5212, bid guarantees in the amount of 15% of the total base bid shall accompany each bid. Bid guarantee shall be a Bid Bond secured by a surety company authorized to do business in Guam and listed in the latest Department of Treasury Circular 570 published in the Federal Register; or as permitted by state law, a certified check, bank draft, or U.S. Government Bond at par value. All Bid Guarantees must be made payable to GHURA. **Personal checks will not be accepted.** GHURA reserves the right to waive irregularities and to reject any or all bids. Failure to submit a bid properly shall result in rejection of the bid.

For all contracts which exceed \$100,000, the successful bidder will be required to furnish and pay for satisfactory Performance and Payment bond for 100% of the contract price. GHURA will retain the bid guarantee until the performance bond is received and will release it soon thereafter. The Contractor must not discriminate on the basis of race, color, religion, sex, national origin, age, disability, or genetic information in employment or the provision of services. Restriction Against Contractors Employing Convicted Sex Offenders from Working at Government of Guam Venues. (§5253 of Title 5 Guam Code Annotated).

The successful bidder will be required to accomplish the following to the best possible and greatest extent feasible:

1. A goal of awarding at least 50 percent of the dollar value of construction contracts to Minority and/or Women Business Enterprises (MBE/WBE) or General Contractors with MBE/WBE participation.
2. In accordance with Section 3 of the U.S. Department of Housing and Urban Development Act of 1968, all construction contractors, to the maximum extent feasible, shall provide training, contracting, and employment opportunities to low income residents residing in GHURA.

GHURA intends to award a contract on the basis of the lowest and most responsible bid for the work described in the bid documents. No bid shall be withdrawn for a period of sixty (60) days subsequent to the opening of bids without the prior written consent of GHURA.

GHURA is an Equal Opportunity Employer


Elizabeth Napoli
Acting Executive Director

**U.S. Department of Housing and
Urban Development**
Office of Public and Indian Housing

**Instructions to Bidders for Contracts
Public and Indian Housing Programs**

Instructions to Bidders for Contracts

Public and Indian Housing Programs

Table of Contents

Clause	Page
1. Bid Preparation and Submission	1
2. Explanations and Interpretations to Prospective Bidders	1
3. Amendments to Invitations for Bids	1
4. Responsibility of Prospective Contractor	1
5. Late Submissions, Modifications, and Withdrawal of Bids	1
6. Bid Opening	2
7. Service of Protest	2
8. Contract Award	2
9. Bid Guarantee	3
10. Assurance of Completion	3
11. Preconstruction Conference	3
12. Indian Preference Requirements	3

1. Bid Preparation and Submission

(a) Bidders are expected to examine the specifications, drawings, all instructions, and, if applicable, the construction site (see also the contract clause entitled **Site Investigation and Conditions Affecting the Work** of the *General Conditions of the Contract for Construction*). Failure to do so will be at the bidders' risk.

(b) All bids must be submitted on the forms provided by the Public Housing Agency/Indian Housing Authority (PHA/IHA). Bidders shall furnish all the information required by the solicitation. Bids must be signed and the bidder's name typed or printed on the bid sheet and each continuation sheet which requires the entry of information by the bidder. Erasures or other changes must be initialed by the person signing the bid. Bids signed by an agent shall be accompanied by evidence of that agent's authority. (Bidders should retain a copy of their bid for their records.)

(c) Bidders must submit as part of their bid a completed form HUD-5369-A, "Representations, Certifications, and Other Statements of Bidders."

(d) All bid documents shall be sealed in an envelope which shall be clearly marked with the words "Bid Documents," the Invitation for Bids (IFB) number, any project or other identifying number, the bidder's name, and the date and time for receipt of bids.

(e) If this solicitation requires bidding on all items, failure to do so will disqualify the bid. If bidding on all items is not required, bidders should insert the words "No Bid" in the space provided for any item on which no price is submitted.

(f) Unless expressly authorized elsewhere in this solicitation, alternate bids will not be considered.

(g) Unless expressly authorized elsewhere in this solicitation, bids submitted by telegraph or facsimile (fax) machines will not be considered.

(h) If the proposed contract is for a Mutual Help project (as described in 24 CFR Part 905, Subpart E) that involves Mutual Help contributions of work, material, or equipment, supplemental information regarding the bid advertisement is provided as an attachment to this solicitation.

2. Explanations and Interpretations to Prospective Bidders

(a) Any prospective bidder desiring an explanation or interpretation of the solicitation, specifications, drawings, etc., must request it at least 7 days before the scheduled time for bid opening. Requests may be oral or written. Oral requests must be confirmed in writing. The only oral clarifications that will be provided will be those clearly related to solicitation procedures, i.e., not substantive technical information. No other oral explanation or interpretation will be provided. Any information given a prospective bidder concerning this solicitation will be furnished promptly to all other prospective bidders as a written amendment to the solicitation, if that information is necessary in submitting bids, or if the lack of it would be prejudicial to other prospective bidders.

(b) Any information obtained by, or provided to, a bidder other than by formal amendment to the solicitation shall not constitute a change to the solicitation.

3. Amendments to Invitations for Bids

(a) If this solicitation is amended, then all terms and conditions which are not modified remain unchanged.

(b) Bidders shall acknowledge receipt of any amendment to this solicitation (1) by signing and returning the amendment, (2) by identifying the amendment number and date on the bid form, or (3) by letter, telegram, or facsimile, if those methods are authorized in the solicitation. The PHA/IHA must receive acknowledgement by the time and at the place specified for receipt of bids. Bids which fail to acknowledge the bidder's receipt of any amendment will result in the rejection of the bid if the amendment(s) contained information which substantively changed the PHA's/IHA's requirements.

(c) Amendments will be on file in the offices of the PHA/IHA and the Architect at least 7 days before bid opening.

4. Responsibility of Prospective Contractor

(a) The PHA/IHA will award contracts only to responsible prospective contractors who have the ability to perform successfully under the terms and conditions of the proposed contract. In determining the responsibility of a bidder, the PHA/IHA will consider such matters as the bidder's:

- (1) Integrity;
- (2) Compliance with public policy;
- (3) Record of past performance; and
- (4) Financial and technical resources (including construction and technical equipment).

(b) Before a bid is considered for award, the bidder may be requested by the PHA/IHA to submit a statement or other documentation regarding any of the items in paragraph (a) above. Failure by the bidder to provide such additional information shall render the bidder nonresponsible and ineligible for award.

5. Late Submissions, Modifications, and Withdrawal of Bids

(a) Any bid received at the place designated in the solicitation after the exact time specified for receipt will not be considered unless it is received before award is made and it:

(1) Was sent by registered or certified mail not later than the fifth calendar day before the date specified for receipt of offers (e.g., an offer submitted in response to a solicitation requiring receipt of offers by the 20th of the month must have been mailed by the 15th);

(2) Was sent by mail, or if authorized by the solicitation, was sent by telegram or via facsimile, and it is determined by the PHA/IHA that the late receipt was due solely to mishandling by the PHA/IHA after receipt at the PHA/IHA; or

(3) Was sent by U.S. Postal Service Express Mail Next Day Service - Post Office to Addressee, not later than 5:00 p.m. at the place of mailing two working days prior to the date specified for receipt of proposals. The term "working days" excludes weekends and observed holidays.

(b) Any modification or withdrawal of a bid is subject to the same conditions as in paragraph (a) of this provision.

(c) The only acceptable evidence to establish the date of mailing of a late bid, modification, or withdrawal sent either by registered or certified mail is the U.S. or Canadian Postal Service postmark both on the envelope or wrapper and on the original receipt from the U.S. or Canadian Postal Service. Both postmarks must show a legible date or the bid, modification, or withdrawal shall be processed as if mailed late. "Postmark" means a printed, stamped, or otherwise placed impression (exclusive of a postage meter machine impression) that is readily identifiable without further action as having been supplied and affixed by employees of the U.S. or Canadian Postal Service on the date of mailing. Therefore, bidders should request the postal clerk to place a hand cancellation bull's-eye postmark on both the receipt and the envelope or wrapper.

(d) The only acceptable evidence to establish the time of receipt at the PHA/IHA is the time/date stamp of PHA/IHA on the proposal wrapper or other documentary evidence of receipt maintained by the PHA/IHA.

(e) The only acceptable evidence to establish the date of mailing of a late bid, modification, or withdrawal sent by Express Mail Next Day Service-Post Office to Addressee is the date entered by the post office receiving clerk on the "Express Mail Next Day Service-Post Office to Addressee" label and the postmark on both the envelope or wrapper and on the original receipt from the U.S. Postal Service. "Postmark" has the same meaning as defined in paragraph (c) of this provision, excluding postmarks of the Canadian Postal Service. Therefore, bidders should request the postal clerk to place a legible hand cancellation bull's eye postmark on both the receipt and Failure by a bidder to acknowledge receipt of the envelope or wrapper.

(f) Notwithstanding paragraph (a) of this provision, a late modification of an otherwise successful bid that makes its terms more favorable to the PHA/IHA will be considered at any time it is received and may be accepted.

(g) Bids may be withdrawn by written notice, or if authorized by this solicitation, by telegram (including mailgram) or facsimile machine transmission received at any time before the exact time set for opening of bids; provided that written confirmation of telegraphic or facsimile withdrawals over the signature of the bidder is mailed and postmarked prior to the specified bid opening time. A bid may be withdrawn in person by a bidder or its authorized representative if, before the exact time set for opening of bids, the identity of the person requesting withdrawal is established and the person signs a receipt for the bid.

6. Bid Opening

All bids received by the date and time of receipt specified in the solicitation will be publicly opened and read. The time and place of opening will be as specified in the solicitation. Bidders and other interested persons may be present.

7. Service of Protest

(a) Definitions. As used in this provision:

"Interested party" means an actual or prospective bidder whose direct economic interest would be affected by the award of the contract.

"Protest" means a written objection by an interested party to this solicitation or to a proposed or actual award of a contract pursuant to this solicitation.

(b) Protests shall be served on the Contracting Officer by obtaining written and dated acknowledgement from —

[Contracting Officer designate the official or location where a protest may be served on the Contracting Officer]

(c) All protests shall be resolved in accordance with the PHA's/IHA's protest policy and procedures, copies of which are maintained at the PHA/IHA.

8. Contract Award

(a) The PHA/IHA will evaluate bids in response to this solicitation without discussions and will award a contract to the responsible bidder whose bid, conforming to the solicitation, will be most advantageous to the PHA/IHA considering only price and any price-related factors specified in the solicitation.

(b) If the apparent low bid received in response to this solicitation exceeds the PHA's/IHA's available funding for the proposed contract work, the PHA/IHA may either accept separately priced items (see 8(e) below) or use the following procedure to determine contract award. The PHA/IHA shall apply in turn to each bid (proceeding in order from the apparent low bid to the high bid) each of the separately priced bid deductible items, if any, in their priority order set forth in this solicitation. If upon the application of the first deductible item to all initial bids, a new low bid is within the PHA's/IHA's available funding, then award shall be made to that bidder. If no bid is within the available funding amount, then the PHA/IHA shall apply the second deductible item. The PHA/IHA shall continue this process until an evaluated low bid, if any, is within the PHA's/IHA's available funding. If upon the application of all deductibles, no bid is within the PHA's/IHA's available funding, or if the solicitation does not request separately priced deductibles, the PHA/IHA shall follow its written policy and procedures in making any award under this solicitation.

(c) In the case of tie low bids, award shall be made in accordance with the PHA's/IHA's written policy and procedures.

(d) The PHA/IHA may reject any and all bids, accept other than the lowest bid (e.g., the apparent low bid is unreasonably low), and waive informalities or minor irregularities in bids received, in accordance with the PHA's/IHA's written policy and procedures.

(e) Unless precluded elsewhere in the solicitation, the PHA/IHA may accept any item or combination of items bid.

(f) The PHA/IHA may reject any bid as nonresponsive if it is materially unbalanced as to the prices for the various items of work to be performed. A bid is materially unbalanced when it is based on prices significantly less than cost for some work and prices which are significantly overstated for other work.

(g) A written award shall be furnished to the successful bidder within the period for acceptance specified in the bid and shall result in a binding contract without further action by either party.

9. Bid Guarantee (applicable to construction and equipment contracts exceeding \$25,000)

All bids must be accompanied by a negotiable bid guarantee which shall not be less than five percent (5%) of the amount of the bid. The bid guarantee may be a certified check, bank draft, U.S. Government Bonds at par value, or a bid bond secured by a surety company acceptable to the U.S. Government and authorized to do business in the state where the work is to be performed. In the case where the work under the contract will be performed on an Indian reservation area, the bid guarantee may also be an irrevocable Letter of Credit (see provision 10, Assurance of Completion, below). Certified checks and bank drafts must be made payable to the order of the PHA/IHA. The bid guarantee shall insure the execution of the contract and the furnishing of a method of assurance of completion by the successful bidder as required by the solicitation. Failure to submit a bid guarantee with the bid shall result in the rejection of the bid. Bid guarantees submitted by unsuccessful bidders will be returned as soon as practicable after bid opening.

10. Assurance of Completion

(a) Unless otherwise provided in State law, the successful bidder shall furnish an assurance of completion prior to the execution of any contract under this solicitation. This assurance may be [Contracting Officer check applicable items] —

[] (1) a performance and payment bond in a penal sum of 100 percent of the contract price; or, as may be required or permitted by State law;

[] (2) separate performance and payment bonds, each for 50 percent or more of the contract price;

[] (3) a 20 percent cash escrow;

[] (4) a 25 percent irrevocable letter of credit; or,

[] (5) an irrevocable letter of credit for 10 percent of the total contract price with a monitoring and disbursements agreement with the IHA (applicable only to contracts awarded by an IHA under the Indian Housing Program).

(b) Bonds must be obtained from guarantee or surety companies acceptable to the U.S. Government and authorized to do business in the state where the work is to be performed. Individual sureties will not be considered. U.S. Treasury Circular Number 570, published annually in the Federal Register, lists companies approved to act as sureties on bonds securing Government contracts, the maximum underwriting limits on each contract bonded, and the States in which the company is licensed to do business. Use of companies listed in this circular is mandatory. Copies of the circular may be downloaded on the U.S. Department of Treasury website <http://www.fms.treas.gov/c570/index.html>, or ordered for a minimum fee by contacting the Government Printing Office at (202) 512-2168.

(c) Each bond shall clearly state the rate of premium and the total amount of premium charged. The current power of attorney for the person who signs for the surety company must be attached to the bond. The effective date of the power of attorney shall not precede the date of the bond. The effective date of the bond shall be on or after the execution date of the contract.

(d) Failure by the successful bidder to obtain the required assurance of completion within the time specified, or within such extended period as the PHA/IHA may grant based upon reasons determined adequate by the PHA/IHA, shall render the bidder ineligible for award. The PHA/IHA may then either award the contract to the next lowest responsible bidder or solicit new bids. The PHA/IHA may retain the ineligible bidder's bid guarantee.

11. Preconstruction Conference (applicable to construction contracts)

After award of a contract under this solicitation and prior to the start of work, the successful bidder will be required to attend a preconstruction conference with representatives of the PHA/IHA and its architect/engineer, and other interested parties convened by the PHA/IHA. The conference will serve to acquaint the participants with the general plan of the construction operation and all other requirements of the contract (e.g., Equal Employment Opportunity, Labor Standards). The PHA/IHA will provide the successful bidder with the date, time, and place of the conference.

12. Indian Preference Requirements (applicable only if this solicitation is for a contract to be performed on a project for an Indian Housing Authority)

(a) HUD has determined that the contract awarded under this solicitation is subject to the requirements of section 7(b) of the Indian Self-Determination and Education Assistance Act (25 U.S.C. 450e(b)). Section 7(b) requires that any contract or subcontract entered into for the benefit of Indians shall require that, to the greatest extent feasible

(1) Preferences and opportunities for training and employment (other than core crew positions; see paragraph (h) below) in connection with the administration of such contracts or subcontracts be given to qualified "Indians." The Act defines "Indians" to mean persons who are members of an Indian tribe and defines "Indian tribe" to mean any Indian tribe, band, nation, or other organized group or community, including any Alaska Native village or regional or village corporation as defined in or established pursuant to the Alaska Native Claims Settlement Act, which is recognized as eligible for the special programs and services provided by the United States to Indians because of their status as Indians; and,

(2) Preference in the award of contracts or subcontracts in connection with the administration of contracts be given to Indian organizations and to Indian-owned economic enterprises, as defined in section 3 of the Indian Financing Act of 1974 (25 U.S.C. 1452). That Act defines "economic enterprise" to mean any Indian-owned commercial, industrial, or business activity established or organized for the purpose of profit, except that the Indian ownership must constitute not less than 51 percent of the enterprise; "Indian organization" to mean the governing body of any Indian tribe or entity established or recognized by such governing body; "Indian" to mean any person who is a member of any tribe, band, group, pueblo, or community which is recognized by the Federal Government as eligible for services from the Bureau of Indian Affairs and any "Native" as defined in the Alaska Native Claims Settlement Act; and Indian "tribe" to mean any Indian tribe, band, group, pueblo, or community including Native villages and Native groups (including

corporations organized by Kenai, Juneau, Sitka, and Kodiak) as defined in the Alaska Native Claims Settlement Act, which is recognized by the Federal Government as eligible for services from the Bureau of Indian Affairs.

(b) (1) The successful Contractor under this solicitation shall comply with the requirements of this provision in awarding all subcontracts under the contract and in providing training and employment opportunities.

(2) A finding by the IHA that the contractor, either (i) awarded a subcontract without using the procedure required by the IHA, (ii) falsely represented that subcontracts would be awarded to Indian enterprises or organizations; or, (iii) failed to comply with the contractor's employment and training preference bid statement shall be grounds for termination of the contract or for the assessment of penalties or other remedies.

(c) If specified elsewhere in this solicitation, the IHA may restrict the solicitation to qualified Indian-owned enterprises and Indian organizations. If two or more (or a greater number as specified elsewhere in the solicitation) qualified Indian-owned enterprises or organizations submit responsive bids, award shall be made to the qualified enterprise or organization with the lowest responsive bid. If fewer than the minimum required number of qualified Indian-owned enterprises or organizations submit responsive bids, the IHA shall reject all bids and readvertise the solicitation in accordance with paragraph (d) below.

(d) If the IHA prefers not to restrict the solicitation as described in paragraph (c) above, or if after having restricted a solicitation an insufficient number of qualified Indian enterprises or organizations submit bids, the IHA may advertise for bids from non-Indian as well as Indian-owned enterprises and Indian organizations. Award shall be made to the qualified Indian enterprise or organization with the lowest responsive bid if that bid is -

(1) Within the maximum HUD-approved budget amount established for the specific project or activity for which bids are being solicited; and

(2) No more than the percentage specified in 24 CFR 905.175(c) higher than the total bid price of the lowest responsive bid from any qualified bidder. If no responsive bid by a qualified Indian-owned economic enterprise or organization is within the stated range of the total bid price of the lowest responsive bid from any qualified enterprise, award shall be made to the bidder with the lowest bid.

(e) Bidders seeking to qualify for preference in contracting or subcontracting shall submit proof of Indian ownership with their bids. Proof of Indian ownership shall include but not be limited to:

(1) Certification by a tribe or other evidence that the bidder is an Indian. The IHA shall accept the certification of a tribe that an individual is a member.

(2) Evidence such as stock ownership, structure, management, control, financing and salary or profit sharing arrangements of the enterprise.

(f) (1) All bidders must submit with their bids a statement describing how they will provide Indian preference in the award of subcontracts. The specific requirements of that statement and the factors to be used by the IHA in determining the statement's adequacy are included as an attachment to this solicitation. Any bid that fails to include the required statement shall be rejected as nonresponsive. The IHA may require that comparable statements be provided by subcontractors to the successful Contractor, and may require the Contractor to reject any bid or proposal by a subcontractor that fails to include the statement.

(2) Bidders and prospective subcontractors shall submit a certification (supported by credible evidence) to the IHA in any instance where the bidder or subcontractor believes it is infeasible to provide Indian preference in subcontracting. The acceptance or rejection by the IHA of the certification shall be final. Rejection shall disqualify the bid from further consideration.

(g) All bidders must submit with their bids a statement detailing their employment and training opportunities and their plans to provide preference to Indians in implementing the contract; and the number or percentage of Indians anticipated to be employed and trained. Comparable statements from all proposed subcontractors must be submitted. The criteria to be used by the IHA in determining the statement(s)'s adequacy are included as an attachment to this solicitation. Any bid that fails to include the required statement(s), or that includes a statement that does not meet minimum standards required by the IHA shall be rejected as nonresponsive.

(h) Core crew employees. A core crew employee is an individual who is a bona fide employee of the contractor at the time the bid is submitted; or an individual who was not employed by the bidder at the time the bid was submitted, but who is regularly employed by the bidder in a supervisory or other key skilled position when work is available. Bidders shall submit with their bids a list of all core crew employees.

(i) Preference in contracting, subcontracting, employment, and training shall apply not only on-site, on the reservation, or within the IHA's jurisdiction, but also to contracts with firms that operate outside these areas (e.g., employment in modular or manufactured housing construction facilities).

(j) Bidders should contact the IHA to determine if any additional local preference requirements are applicable to this solicitation.

(k) The IHA [] does [] does not [Contracting Officer check applicable box] maintain lists of Indian-owned economic enterprises and Indian organizations by specialty (e.g., plumbing, electrical, foundations), which are available to bidders to assist them in meeting their responsibility to provide preference in connection with the administration of contracts and subcontracts.

**U.S. Department of Housing
and Urban Development**
Office of Public and Indian Housing

**Representations, Certifications,
and Other Statements of Bidders**
Public and Indian Housing Programs

Representations, Certifications, and Other Statements of Bidders

Public and Indian Housing Programs

Table of Contents

Clause	Page
1. Certificate of Independent Price Determination	1
2. Contingent Fee Representation and Agreement	1
3. Certification and Disclosure Regarding Payments to Influence Certain Federal Transactions	1
4. Organizational Conflicts of Interest Certification	2
5. Bidder's Certification of Eligibility	2
6. Minimum Bid Acceptance Period	2
7. Small, Minority, Women-Owned Business Concern Representation	2
8. Indian-Owned Economic Enterprise and Indian Organization Representation	2
9. Certification of Eligibility Under the Davis-Bacon Act	3
10. Certification of Nonsegregated Facilities	3
11. Clean Air and Water Certification	3
12. Previous Participation Certificate	3
13. Bidder's Signature	3

1. Certificate of Independent Price Determination

(a) The bidder certifies that--

(1) The prices in this bid have been arrived at independently, without, for the purpose of restricting competition, any consultation, communication, or agreement with any other bidder or competitor relating to (i) those prices, (ii) the intention to submit a bid, or (iii) the methods or factors used to calculate the prices offered;

(2) The prices in this bid have not been and will not be knowingly disclosed by the bidder, directly or indirectly, to any other bidder or competitor before bid opening (in the case of a sealed bid solicitation) or contract award (in the case of a competitive proposal solicitation) unless otherwise required by law; and

(3) No attempt has been made or will be made by the bidder to induce any other concern to submit or not to submit a bid for the purpose of restricting competition.

(b) Each signature on the bid is considered to be a certification by the signatory that the signatory--

(1) Is the person in the bidder's organization responsible for determining the prices being offered in this bid or proposal, and that the signatory has not participated and will not participate in any action contrary to subparagraphs (a)(1) through (a)(3) above; or

(2) (i) Has been authorized, in writing, to act as agent for the following principals in certifying that those principals have not participated, and will not participate in any action contrary to subparagraphs (a)(1) through (a)(3) above.

_____ [insert full name of person(s) in the bidder's organization responsible for determining the prices offered in this bid or proposal, and the title of his or her position in the bidder's organization];

(ii) As an authorized agent, does certify that the principals named in subdivision (b)(2)(i) above have not participated, and will not participate, in any action contrary to subparagraphs (a)(1) through (a)(3) above; and

(iii) As an agent, has not personally participated, and will not participate in any action contrary to subparagraphs (a)(1) through (a)(3) above.

(c) If the bidder deletes or modifies subparagraph (a)2 above, the bidder must furnish with its bid a signed statement setting forth in detail the circumstances of the disclosure.

[] [Contracting Officer check if following paragraph is applicable]

(d) Non-collusive affidavit. (applicable to contracts for construction and equipment exceeding \$50,000)

(1) Each bidder shall execute, in the form provided by the PHA/IHA, an affidavit to the effect that he/she has not colluded with any other person, firm or corporation in regard to any bid submitted in response to this solicitation. If the successful bidder did not submit the affidavit with his/her bid, he/she must submit it within three (3) working days of bid opening. Failure to submit the affidavit by that date may render the bid nonresponsive. No contract award will be made without a properly executed affidavit.

(2) A fully executed "Non-collusive Affidavit" [] is, [] is not included with the bid.

2. Contingent Fee Representation and Agreement

(a) Definitions. As used in this provision:

"Bona fide employee" means a person, employed by a bidder and subject to the bidder's supervision and control as to time, place, and manner of performance, who neither exerts, nor proposes to exert improper influence to solicit or obtain contracts nor holds out as being able to obtain any contract(s) through improper influence.

"Improper influence" means any influence that induces or tends to induce a PHA/IHA employee or officer to give consideration or to act regarding a PHA/IHA contract on any basis other than the merits of the matter.

(b) The bidder represents and certifies as part of its bid that, except for full-time bona fide employees working solely for the bidder, the bidder:

(1) [] has, [] has not employed or retained any person or company to solicit or obtain this contract; and

(2) [] has, [] has not paid or agreed to pay to any person or company employed or retained to solicit or obtain this contract any commission, percentage, brokerage, or other fee contingent upon or resulting from the award of this contract.

(c) If the answer to either (a)(1) or (a)(2) above is affirmative, the bidder shall make an immediate and full written disclosure to the PHA/IHA Contracting Officer.

(d) Any misrepresentation by the bidder shall give the PHA/IHA the right to (1) terminate the contract; (2) at its discretion, deduct from contract payments the amount of any commission, percentage, brokerage, or other contingent fee; or (3) take other remedy pursuant to the contract.

3. Certification and Disclosure Regarding Payments to Influence Certain Federal Transactions (applicable to contracts exceeding \$100,000)

(a) The definitions and prohibitions contained in Section 1352 of title 31, United States Code, are hereby incorporated by reference in paragraph (b) of this certification.

(b) The bidder, by signing its bid, hereby certifies to the best of his or her knowledge and belief as of December 23, 1989 that:

(1) No Federal appropriated funds have been paid or will be paid to any person for influencing or attempting to influence an officer or employee of any agency, a Member of Congress, an officer or employee of Congress, or an employee of a Member of Congress on his or her behalf in connection with the awarding of a contract resulting from this solicitation;

(2) If any funds other than Federal appropriated funds (including profit or fee received under a covered Federal transaction) have been paid, or will be paid, to any person for influencing or attempting to influence an officer or employee of any agency, a Member of Congress, an officer or employee of Congress, or an employee of a Member of Congress on his or her behalf in connection with this solicitation, the bidder shall complete and submit, with its bid, OMB standard form LLL, "Disclosure of Lobbying Activities;" and

(3) He or she will include the language of this certification in all subcontracts at any tier and require that all recipients of subcontract awards in excess of \$100,000 shall certify and disclose accordingly.

(c) Submission of this certification and disclosure is a prerequisite for making or entering into this contract imposed by section 1352, title 31, United States Code. Any person who makes an expenditure prohibited under this provision or who fails to file or amend the disclosure form to be filed or amended by this provision, shall be subject to a civil penalty of not less than \$10,000, and not more than \$100,000, for each such failure.

(d) Indian tribes (except those chartered by States) and Indian organizations as defined in section 4 of the Indian Self-Determination and Education Assistance Act (25 U.S.C. 450B) are exempt from the requirements of this provision.

4. Organizational Conflicts of Interest Certification

The bidder certifies that to the best of its knowledge and belief and except as otherwise disclosed, he or she does not have any organizational conflict of interest which is defined as a situation in which the nature of work to be performed under this proposed contract and the bidder's organizational, financial, contractual, or other interests may, without some restriction on future activities:

- (a) Result in an unfair competitive advantage to the bidder; or,
- (b) Impair the bidder's objectivity in performing the contract work.

[] In the absence of any actual or apparent conflict, I hereby certify that to the best of my knowledge and belief, no actual or apparent conflict of interest exists with regard to my possible performance of this procurement.

5. Bidder's Certification of Eligibility

(a) By the submission of this bid, the bidder certifies that to the best of its knowledge and belief, neither it, nor any person or firm which has an interest in the bidder's firm, nor any of the bidder's subcontractors, is ineligible to:

(1) Be awarded contracts by any agency of the United States Government, HUD, or the State in which this contract is to be performed; or,

(2) Participate in HUD programs pursuant to 24 CFR Part 24.

(b) The certification in paragraph (a) above is a material representation of fact upon which reliance was placed when making award. If it is later determined that the bidder knowingly rendered an erroneous certification, the contract may be terminated for default, and the bidder may be debarred or suspended from participation in HUD programs and other Federal contract programs.

6. Minimum Bid Acceptance Period

(a) "Acceptance period," as used in this provision, means the number of calendar days available to the PHA/IHA for awarding a contract from the date specified in this solicitation for receipt of bids.

(b) This provision supersedes any language pertaining to the acceptance period that may appear elsewhere in this solicitation.

(c) The PHA/IHA requires a minimum acceptance period of [Contracting Officer insert time period] calendar days.

(d) In the space provided immediately below, bidders may specify a longer acceptance period than the PHA's/IHA's minimum requirement. The bidder allows the following acceptance period: calendar days.

(e) A bid allowing less than the PHA's/IHA's minimum acceptance period will be rejected.

(f) The bidder agrees to execute all that it has undertaken to do, in compliance with its bid, if that bid is accepted in writing within (1) the acceptance period stated in paragraph (c) above or (2) any longer acceptance period stated in paragraph (d) above.

7. Small, Minority, Women-Owned Business Concern Representation

The bidder represents and certifies as part of its bid/ offer that it --

(a) [] is, [] is not a small business concern. "Small business concern," as used in this provision, means a concern, including its affiliates, that is independently owned and operated, not dominant in the field of operation in which it is bidding, and qualified as a small business under the criteria and size standards in 13 CFR 121.

(b) [] is, [] is not a women-owned business enterprise. "Women-owned business enterprise," as used in this provision, means a business that is at least 51 percent owned by a woman or women who are U.S. citizens and who also control and operate the business.

(c) [] is, [] is not a minority business enterprise. "Minority business enterprise," as used in this provision, means a business which is at least 51 percent owned or controlled by one or more minority group members or, in the case of a publicly owned business, at least 51 percent of its voting stock is owned by one or more minority group members, and whose management and daily operations are controlled by one or more such individuals. For the purpose of this definition, minority group members are:

(Check the block applicable to you)

- [] Black Americans
- [] Asian Pacific Americans
- [] Hispanic Americans
- [] Asian Indian Americans
- [] Native Americans
- [] Hasidic Jewish Americans

8. Indian-Owned Economic Enterprise and Indian Organization Representation (applicable only if this solicitation is for a contract to be performed on a project for an Indian Housing Authority)

The bidder represents and certifies that it:

(a) [] is, [] is not an Indian-owned economic enterprise. "Economic enterprise," as used in this provision, means any commercial, industrial, or business activity established or organized for the purpose of profit, which is at least 51 percent Indian owned. "Indian," as used in this provision, means any person who is a member of any tribe, band, group, pueblo, or community which is recognized by the Federal Government as eligible for services from the Bureau of Indian Affairs and any "Native" as defined in the Alaska Native Claims Settlement Act.

(b) [] is, [] is not an Indian organization. "Indian organization," as used in this provision, means the governing body of any Indian tribe or entity established or recognized by such governing body. Indian "tribe" means any Indian tribe, band, group, pueblo, or

community including Native villages and Native groups (including corporations organized by Kenai, Juneau, Sitka, and Kodiak) as defined in the Alaska Native Claims Settlement Act, which is recognized by the Federal Government as eligible for services from the Bureau of Indian Affairs.

9. Certification of Eligibility Under the Davis-Bacon Act (applicable to construction contracts exceeding \$2,000)

(a) By the submission of this bid, the bidder certifies that neither it nor any person or firm who has an interest in the bidder's firm is a person or firm ineligible to be awarded contracts by the United States Government by virtue of section 3(a) of the Davis-Bacon Act or 29 CFR 5.12(a)(1).

(b) No part of the contract resulting from this solicitation shall be subcontracted to any person or firm ineligible to be awarded contracts by the United States Government by virtue of section 3(a) of the Davis-Bacon Act or 29 CFR 5.12(a)(1).

(c) The penalty for making false statements is prescribed in the U. S. Criminal Code, 18 U.S.C. 1001.

10. Certification of Nonsegregated Facilities (applicable to contracts exceeding \$10,000)

(a) The bidder's attention is called to the clause entitled **Equal Employment Opportunity** of the General Conditions of the Contract for Construction.

(b) "Segregated facilities," as used in this provision, means any waiting rooms, work areas, rest rooms and wash rooms, restaurants and other eating areas, time clocks, locker rooms and other storage or dressing areas, parking lots, drinking fountains, recreation or entertainment areas, transportation, and housing facilities provided for employees, that are segregated by explicit directive or are in fact segregated on the basis of race, color, religion, or national origin because of habit, local custom, or otherwise.

(c) By the submission of this bid, the bidder certifies that it does not and will not maintain or provide for its employees any segregated facilities at any of its establishments, and that it does not and will not permit its employees to perform their services at any location under its control where segregated facilities are maintained. The bidder agrees that a breach of this certification is a violation of the Equal Employment Opportunity clause in the contract.

(d) The bidder further agrees that (except where it has obtained identical certifications from proposed subcontractors for specific time periods) prior to entering into subcontracts which exceed \$10,000 and are not exempt from the requirements of the Equal Employment Opportunity clause, it will:

(1) Obtain identical certifications from the proposed subcontractors;

(2) Retain the certifications in its files; and

(3) Forward the following notice to the proposed subcontractors (except if the proposed subcontractors have submitted identical certifications for specific time periods):

Notice to Prospective Subcontractors of Requirement for Certifications of Nonsegregated Facilities

A Certification of Nonsegregated Facilities must be submitted before the award of a subcontract exceeding \$10,000 which is not exempt from the provisions of the Equal Employment Opportunity clause of the prime contract. The certification may be submitted either for each subcontract or for all subcontracts during a period (i.e., quarterly, semiannually, or annually).

Note: The penalty for making false statements in bids is prescribed in 18 U.S.C. 1001.

11. Clean Air and Water Certification (applicable to contracts exceeding \$100,000)

The bidder certifies that:

(a) Any facility to be used in the performance of this contract [] is, [] is not listed on the Environmental Protection Agency List of Violating Facilities:

(b) The bidder will immediately notify the PHA/IHA Contracting Officer, before award, of the receipt of any communication from the Administrator, or a designee, of the Environmental Protection Agency, indicating that any facility that the bidder proposes to use for the performance of the contract is under consideration to be listed on the EPA List of Violating Facilities; and,

(c) The bidder will include a certification substantially the same as this certification, including this paragraph (c), in every nonexempt subcontract.

12. Previous Participation Certificate (applicable to construction and equipment contracts exceeding \$50,000)

(a) The bidder shall complete and submit with his/her bid the Form HUD-2530, "Previous Participation Certificate." If the successful bidder does not submit the certificate with his/her bid, he/she must submit it within three (3) working days of bid opening. Failure to submit the certificate by that date may render the bid nonresponsive. No contract award will be made without a properly executed certificate.

(b) A fully executed "Previous Participation Certificate" [] is, [] is not included with the bid.

13. Bidder's Signature

The bidder hereby certifies that the information contained in these certifications and representations is accurate, complete, and current.

(Signature and Date)

(Typed or Printed Name)

(Title)

(Company Name)

(Company Address)

Requirements for Compliance with Requirements of Section 3 of the Housing and Urban Development Act of 1968 (12 U.S.C. 1701u) (Section 3) Provisions of 24CFR 75

Overview of Section 3 Requirements

Section 3 is a provision of the Housing and Urban Development Act of 1968 (12 U.S.C. 1701u) that is regulated by the provisions of 24 CFR 75. Section 3 regulations ensure that employment and other economic opportunities generated by certain HUD financial assistance shall, to the greatest extent feasible, and consistent with existing Federal, State and local laws and regulations, be directed to low- and very low-income persons, particularly those who are recipients of government assistance for housing, and to business concerns which provide economic opportunities to low- and very low-income persons.

General Policy Statement:

It is the declared policy of GHURA that Equal Employment Opportunities shall be provided for every employee and applicant for employment regardless of race, color, religion, sex, national origin, handicap, or economic status; and, that through the award of contracts to contractors, vendors, and suppliers, that employment and business opportunities be created for residents of GHURA properties and other qualified low- and very low-income persons residing on the island of Guam. This policy does not end with the mere prohibition of discriminatory practices by programs receiving HUD financial assistance or contractors, subcontractors, and vendors contracting with GHURA. GHURA recognizes its obligation as well as the obligation of potential contractors, subcontractors, and vendors, to develop practical steps to achieve the goal of providing meaningful, full-time permanent employment opportunities, as well as business opportunities to GHURA Residents and other Section 3 eligible persons.

Such obligation shall be demonstrated not merely through inclusion of positive or “best effort” steps, but shall result in a reasonable level of success in the recruitment, employment, and utilization of GHURA Residents and other Section 3 eligible persons and businesses in the workforce and subcontracting of work resulting out of the expenditure of HUD funding. GHURA’s Board of Commission, through official resolution, shall examine and consider a contractor/vendor’s success in providing employment and business opportunities to Authority Residents prior to acting on any proposed contract award.

Eligibility:

Individuals and businesses that meet Section 3 criteria may seek Section 3 preference from GHURA or its contractors/subcontractors for training, employment, or contracting opportunities generated by [public housing financial assistance or housing and community development financial assistance]. To qualify as a Section 3 worker, Targeted Section 3 worker or a Section 3 business concern, each must self-certify that they meet the applicable criteria.

Businesses who *misrepresent* themselves as Section 3 business concerns and *report false* information to GHURA may have their contracts terminated as default and be barred from ongoing and future considerations for contracting opportunities.

Applicability:

For public housing financial assistance, all funding is covered, regardless of the amount of expenditure or size of a contract. This plan applies to development assistance, operating funds, capital funds, and all mixed-finance development. For housing and community development financial assistance, this plan applies to housing rehabilitation, housing construction, and other public construction projects that exceed \$200,000 or more of housing and community development financial assistance from one or more HUD programs. Applicability is determined at the project level.

For projects funded with Lead and Hazard Control and Healthy Homes Programs, this plan applies to projects that exceed \$100,000.

This plan also applies to projects that include multiple funding sources. Multiple funding source projects include projects that include public housing financial assistance, housing and community development financial assistance for single or multiple recipients, and the Lead Hazard Control and Healthy Homes Program.

Section 3 requirements do not apply to: 1) Material Supply Contracts - § 75.3(b), 2) Indian and Tribal Preferences - § 75.3(c), and 3) Other HUD assistance and other Federal assistance not subject to Section 3 §75.3 (d). However, for financial assistance that is not subject to Section 3, recipients are encouraged to consider ways to support the purpose of Section 3.

Purpose of this Policy and Compliance Plan:

The purposes of this Policy are to create sustained employment and other opportunities for Section 3 Beneficiaries and to assist Contractors in understanding their Section 3 obligations so that they can be successful in meeting the responsibilities of the Section 3 requirements. These purposes are accomplished through the guidance provided by GHURA and assistance provided by GHURA’s Section 3 coordinator. This policy shall remain in effect for so long as it remains consistent with federal regulations or amended by GHURA’s Board of Commissioners.

Numerical Goals for Section 3 Compliance:

Recipients and Contractors may demonstrate compliance with the “greatest extent feasible” requirement of Section 3 by meeting the numerical goals set forth in this Section 3 Program for providing training, employment, and contracting opportunities to Section 3 Residents and Section Business Concerns. Efforts to employ Section 3 Residents to the greatest extent feasible should be made at all job levels.

GHURA, in its own operations, shall endeavor to achieve the goals of Section 3 and shall provide equal responsibility to its contractors, vendors, and suppliers to implement progressive efforts to also attain compliance. In doing so, GHURA shall evaluate contractors’ compliance towards achieving the goals of Section 3 and ensure a system of leveling sanctions against contractor, vendor, or supplier for non-compliance and endeavor to take appropriate steps to ensure any such concern is not permitted to participate in future GHURA procurement activities.

Section 3 Final Rule Benchmark Notice:

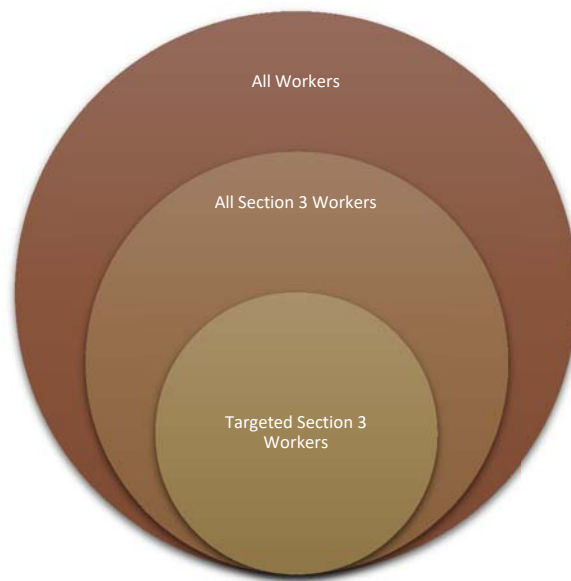
- 25% of all labor hours must be performed by a Section 3 worker.
- 5% of all labor hours must be performed by Targeted Section 3 workers

The numerical goals established above represent minimum numerical targets and all prospective contractors shall be advised and encouraged to seek Section 3 participation to the greatest extent feasible. Any contractor that meets the minimum numerical goals set forth above will be considered to have complied with the Section 3 requirements. Any contractor that does not meet the numerical goals set forth above has the burden of demonstrating why it was not feasible to meet the numerical goals. In the event no competing contractors were successful in meeting the minimum goals set forth above, GHURA shall consider documentation provided by the contractor evidencing impediments encountered despite actions taken to comply with the Section 3 Requirements. Such evidence shall be subject to the satisfaction of GHURA. Any contractor found to be in non-compliance with Section 3 shall be considered ineligible for award.

All contractors submitting bids/proposals to the GHURA shall be required to complete certifications, as appropriate, as acknowledgment of the Section 3 contracting and employment provisions as required by this section. Such certifications shall be supported with adequate evidence to support representations made. The certifications required to be submitted with the bid/proposal consist of the following:

- Certification for business concerns seeking Section 3 preference.
- Contractor certification of efforts to fully comply with employment and training provisions of Section 3.

Prior to the award of any contract the contractor shall enter into negotiations with GHURA for the purpose of incorporating into the contract a provision for a specific number of Public Housing residents or other Section 3 residents to be trained or employed on the contract. Such resulting provision shall obligate the contractor toward achieving not less than the numerical goals listed above and shall be based on a detailed workforce analysis to be compiled by the contractor and submitted to GHURA prior to award of contract.



Section 3 Worker and Targeted Section 3 Worker:

A Section 3 worker seeking certification shall submit self-certification documentation to the recipient contractor or subcontractor, that the person is a Section 3 worker or Targeted Section 3 worker as defined in 24 CFR Part 75. For the purposes of Section 3 worker eligibility, GHURA will use individual income rather than family/household income to determine eligibility.

Individual Income Limits		
FY2021 Income Limit Area	Income Limit Category	FY 2021 Income Limits
GUAM	Extremely Low Income Limits 30%	\$14,350
	Very Low Income Limits 50%	\$23,900
	Low Income Limits 80%	\$38,200

Persons seeking the Section 3 worker preference shall demonstrate that it meets one or more of the following criteria currently or when hired within the past five years, as documented:

- 1) A low or very low-income resident (the worker’s income for the previous or annualized calendar year is below the income limit established by HUD); or
- 2) Employed by a Section 3 business concern; or
- 3) A YouthBuild participant.

Persons seeking the Targeted Section 3 worker preference shall demonstrate that it meets one or more of the following criteria:

(For public housing financial assistance)

- 1) Employed by a Section 3 business concern or
- 2) Currently meets or when hired met at least one of the following categories as documented within the past five years:
 - a) A resident of public housing; or
 - b) A resident of other public housing projects or Section 8-assisted housing; or

c) A YouthBuild participant.

(For housing and community development assistance)

1) Employed by a Section 3 business concern or

2) Currently meets or when hired met at least one of the following categories as documented within the past five years: a) Living within the service area or the neighborhood of the project, as defined in 24 CFR Part 75.5; or b) A YouthBuild participant.

Section 3 workers and Targeted Section 3 workers who are seeking preference in training and employment must submit the Section 3 Worker and Targeted Section 3 Worker Certification Form from the GHURA office.

Example of the Section 3 Worker and Targeted Section Worker form is as follows:

Exhibit 1

Section 3 Worker and Targeted Section 3 Worker Self-Certification Form

The purpose of HUD's Section 3 program is to provide employment, training and contracting opportunities to low-income individuals, particularly those who are recipients of government assistance for housing or other public assistance programs. Your response is voluntary, confidential, and has no effect on your employment.

Eligibility for Section 3 Worker or Targeted Section 3 Worker Status:
A Section 3 worker seeking certification shall self-certify and submit this form to the recipient contractor or subcontractor, that the person is a Section 3 worker or Targeted Section 3 Worker as defined in 24 CFR Part 75.

Instructions: Enter/select the appropriate information to confirm your Section 3 worker or Targeted Section 3 Worker status.

Employee Name: _____

1. Are you a resident of public housing or a Housing Choice Voucher Holder (Section 8)? Yes No

2. Are you a resident of GUAM? Yes No

In the field below, select the amount of individual income you believe you earn on an annual basis.

Less than \$10,000 \$10,001 - \$20,000 \$20,001 - \$30,000
 \$30,001 - \$40,001 \$40,001 - \$50,000 \$50,001 - \$60,000

Select from ONE of the following two options below:

I qualify as a:

Section 3 Worker (as defined on page 3 of Section 3 Worker Certification Form)

Targeted Section 3 Worker (as defined on page 3 of Section 3 Worker Certification Form)

GHURA SECTION 3 FORM-01A
10-1

Employee Affirmation

I affirm that the above statements on this form are true, complete, and correct to the best of my knowledge and belief. I hereby certify, under penalty of law, that the following information is correct to the best of my knowledge.

Employee Address: _____

Print Name: _____ **Date Hired:** _____

Signature: _____ **Date:** _____

FOR ADMINISTRATIVE USE ONLY

Is the employee a Section 3 worker based upon their self-certification? Yes No

Is the employee a Targeted Section 3 worker based upon their self-certification? Yes No

Was this an applicant who was hired as a result of the Section 3 project? Yes No

If Yes, what is the name of the company? _____

What was the date of hire? _____

EMPLOYERS MUST RETAIN THIS FORM IN THEIR SECTION 3 COMPLIANCE FILE FOR FIVE YEARS.

GHURA SECTION 3 FORM-01A
10-1

Section 3 Program Participant Certification Procedure:

GHURA will certify Section 3 program participants who reside in GUAM or near the project site and who are seeking preference in training and employment by completing and attaching adequate proof of Section 3 eligibility as required (see Exhibit 1- Section 3 Participant Eligibility for Preference Form).

1. All persons living in GUAM or within the required radius of the project site who meet the Section 3 eligibility guidelines.
2. Once this assessment is complete, the Section 3 Coordinator will determine if the individual needs the eligibility requirements and is job ready.
3. If the individual is deemed eligible for Section 3 participation and deemed not ready for employment, a referral will be made to other agencies that are better equipped to address the individual's needs, ie., substance abuse providers, etc.
4. The Section 3 readiness component is a part of GHURA's commitment to provide economic opportunities and training to residents/eligible participants to become gainfully employed.

Section 3 Business Concern Certification:

Businesses that believe they meet the Section 3 Business requirements can may self-register in the HUD Business registry, here: <http://www.hud.gov/Sec3Biz>. Businesses may seek Section 3 Business Concern preference by

demonstrating that it meets one or more of the following criteria:

- 1) At least 51 percent of the business is owned and controlled by low- or very low-income persons; or
- 2) At least 51 percent of the business is owned and controlled by current public housing residents or residents who currently live in Section 8-assisted housing; or
- 3) Over 75 percent of the labor hours performed for the business over the prior three-month period are performed by Section 3 workers.

Businesses that seek Section 3 preference shall certify, or demonstrate to GHURA contractors or subcontractors, that they meet the definitions provided in the above. Businesses may demonstrate eligibility by submitting the Section 3 Business Concern Certification Form, located at the GHURA office.

Section 3 Business Concern Certification Forms must be submitted at the time of bid/proposal. If GHURA previously approved the business concern to be Section 3 certified, then the certification can be submitted along with the bid, as long as the form is submitted within the prescribed expiration date. The Section 3 Business Concern Certification Form will expire after **12 months**. Establishing a **12 month certification** of eligibility period allows GHURA the ability to assess contractor performance to ensure the business is striving to meet the required goals.

Note: While registering as a Section 3 Business Concern may give a business certain preferences, such registration is not a guarantee of such preferences that the business will be awarded any contractors or subcontracts by GHURA or its contractors/vendors.

Example of a Certification for Business Concerns Seeking Section 3 Preference form is located below:

Exhibit 2

Certification for Business Concerns Seeking Section 3 Preference in Contracting and Demonstration of Capability

Business Information	
Name of Business:	
Address of Business:	
Name of Business Owner:	
Phone Number of Business Owner:	
Email Address of Business Owner:	

Preferred Contact Information	
Same as above:	<input type="checkbox"/>
Name of Preferred Contact:	
Phone Number of Preferred Contact:	

Type of Business (select from the following options):

Corporation
 Partnership
 Sole Proprietorship
 Joint Venture

Select from ONE of the following three options below that applies:

At least 51 percent of the business is owned and controlled by low- or very low-income persons (Refer to income guidelines on page 3)

At least 51 percent of the business is owned and controlled by current public housing residents or residents who currently live in Section 8-assisted housing.

Over 75 percent of the labor hours performed for the business over the prior three-month period are performed by Section 3 workers (Refer to definition on page 3).

GHURA SECTION 3 FORM-01B
pg. 1

Business Concern Affirmation

I affirm that the above statements on this form are true, complete, and correct to the best of my knowledge and belief. I understand that businesses who misrepresent themselves as Section 3 business concerns and report false information to [insert name of recipient/grantee] may have their contracts terminated as default and be barred from ongoing and future considerations for contracting opportunities. I hereby certify, under penalty of law, that the following information is correct to the best of my knowledge.

Print Name: _____

Signature: _____ Date: _____

*Certification expires within six months of the date of signature. Information regarding Section 3 Business Concerns can be found at 24 CFR 75.5

FOR ADMINISTRATIVE USE ONLY

Is the business a Section 3 business concern based upon their certification?

Yes
 No

EMPLOYERS MUST RETAIN THIS FORM IN THEIR SECTION 3 COMPLIANCE FILE FOR FIVE YEARS.

GHURA SECTION 3 FORM-01B
pg. 2

Section 3 Recruitment and New hires:

Contractors are expected to make best efforts to achieve the benchmarks and Section 3 Worker priorities outlined in this Policy and at 24 CFR Part 75. This section provides guidance for the recruitment of New Hires who are Section 3 Workers and Targeted Section 3 Workers to assist Contractors in meeting their benchmarks and obligations.

A. Recruitment Efforts:

1. GHURA maintains a database of employment-ready Section 3 Workers/Targeted Section 3 Workers who meet certain minimum qualifications for various categories of employment. Upon receipt of a completed Section 3 Job Order Form from Contractor/Subcontractor, GHURA will provide referrals of qualified candidates from the database. Contractors are expected to provide GHURA with the Section 3 Job Order Form in sufficient time to identify prospective candidates, prepare and refer them for interviews and secure employment in advance project commencement.
2. Contractors/Subcontractors are also to advertise Job Announcements within the project site area. Please see Exhibit 3.
3. Upon receipt of a Section 3 Job Order Form, GHURA will refer qualified candidates for interview for each available position. Contractors are expected to give each referred candidate full consideration for available positions.
4. Independent of GHURA's efforts and referrals, Contractors shall engage in independent employment recruitment efforts and follow the Section 3 Worker and Targeted Section 3 Worker order in of hiring priority as identified in this policy.
5. Contractors shall submit to GHURA their interview notes, including reasons for denial of employment or training opportunity in the future, as applicable.

B. Section 3 Worker and Targeted Section 3 Worker New Hires:

1. All Section 3 Worker and Targeted Section 3 Worker New Hires shall be employees of the Contractor and shall have all the protections afforded to employees under state, federal and local laws. Contractors are expected to impose the same hiring requirements and personnel rules and policies upon Section 3 Worker New Hires as are imposed upon their other employment candidates and employees. GHURA expects and requires Contractors to abide by equal pay for equal work principles.
2. Contractors are required to report to GHURA within five (5) business days of hiring Section 3 Workers and Targeted Section 3 Workers and shall provide to GHURA a completed Section 3 Worker and Targeted Section 3 Worker form.

C. Apprenticeship Programs:

1. Contractors who employ apprentices are required to utilize apprenticeship programs approved by the Federal Department of Labor (DOL)
2. Contractors who employ apprentices on construction projects that are subject to the Davis-Bacon Wage Act are required to adhere to all legal requirements for wage rates and ratios of apprentices to journeymen set forth.

D. Limitations:

Contractors retain the sole discretion and control over any hiring and personnel decisions. GHURA cannot and will not exercise any control over any of the Contractor's employees, including New Hires, regardless of whether they were referred by GHURA or are Section 3 Workers/Targeted Section 3 Workers recruited through other means.

Safe Harbor Compliance: 25% of total hours or 5% of hours contracted to targeted workers:

It is the responsibility of contractors to implement efforts to achieve Section 3 compliance. Any contractor that does not meet the Section 3 benchmarks must demonstrate why meeting the benchmarks were not feasible. All contractors submitting bids or proposals to GHURA are required to certify that they will comply with the requirements of Section 3.

Good Faith and Qualitative Efforts:

Qualitative efforts to satisfy its benchmark goals, which may include, but are not limited to the following:

1. Engaging in outreach efforts to generate job applicants who are Targeted Section 3 Workers, including notifying GHURA's Section 3 Coordinator, posting job openings at the job site, HUD Opportunity Portal, social media pages, contacting Resident Advisory Councils, and other platforms;
2. Contacting agencies administering Department of Labor YouthBuild Programs, and requesting their assistance in recruiting Department of Labor YouthBuild Program participants for training opportunities and employment positions;
3. Consulting with state and local agencies administering training programs, such as those funded through Workforce Investment Act, unemployment compensation programs, community organizations and other officials or organizations to assist with training and recruiting Section 3 Workers and Targeted Section 3 Workers;
4. Holding job fairs;
5. Providing or connecting Section 3 Workers and Targeted Section 3 Workers with assistance in seeking employment, including: drafting resumes, preparing for interviews, and finding job opportunities connecting residents to job placement services;
6. Providing or referring Section 3 Workers to services supporting work readiness and retention (e.g., work readiness activities, interview clothing, test fees, transportation, child care);
7. Assisting Section 3 Workers to obtain financial literacy training and/or coaching;
8. Engaging in outreach efforts to identify and secure bids from Section 3 Business Concerns.
9. Providing technical assistance to help Section 3 Business Concerns understand and bid on contracts;
10. Dividing contracts into smaller jobs to facilitate participation by Section 3 Business Concerns;
11. Providing bonding assistance, guaranties, or other efforts to support viable bids from Section 3 Business Concerns;
12. Promoting use of Section 3 Business Registries designed to create opportunities for Section 3, disadvantaged and small businesses

Documented Efforts:

Contractors shall document efforts taken to recruit and interview Section 3 Workers/Targeted Section 3 Workers for hire and shall, upon reasonable request, provide GHURA with documentation that demonstrates such efforts, including interview notes, which shall include reasons for denial of employment or other actions as applicable.

Lack of Compliance:

A Contractor's failure to satisfy the requirements of this section may result in GHURA's determination that the Contractor has failed to demonstrate good faith and qualitative efforts to comply with the requirements of Section 3 and this Policy, and may subject Contractor to the penalties for default.

Reporting Requirements:

For Section 3 covered contracts, contractors must submit the Section 3 Performance and Summary Report to GHURA's Section 3 Coordinator on a monthly basis, and the annual reporting requirement set forth in that form's instructions.

1) Monthly Reporting -

- i) Contractors are required to submit monthly activity reports to GHURA's Section 3 Coordinator alicej@ghura.org by the 30th day of each month

2) Annual Reporting -

- i) Once a project is completed, contractors must submit a final Section 3 cumulative report for the program year.
- ii) Upon the completion of a project, GHURA's Section 3 Coordinator will conduct a final review of the project's overall performance and compliance.
- iii) GHURA's Section 3 Coordinator will submit the Section 3 data into required reporting system to HUD at the respective reporting period.

Internal Section 3 Complaint Procedure:

In an effort to resolve complaints generated due to non-compliance through an internal process, GHURA encourages submittal of such complaints to its Section 3 Coordinator as follows:

- 1) Complaints of non-compliance should be filed in writing and must contain the name of the complainant and brief description of the alleged violation of 24 CFR Part 75.
- 2) Complaints must be filed within 14 calendar days after the complainant becomes aware of the alleged violation.
- 3) An investigation will be conducted if complaint is found to be valid. GHURA will conduct an informal, but thorough investigation affording all interested parties, if any, an opportunity to submit testimony and/or evidence pertinent to the complaint.
- 4) GHURA will provide written documentation detailing the findings of the investigation. GHURA will review the findings for accuracy and completeness before it is released to complainants. The findings will be made available no later than 30 days after the filing of complaint. If complainants wish to have their concerns considered outside of GHURA a complaint may be filed with:

The HUD program office responsible for the public housing financial assistance or the Section 3 project, or to the local HUD field office. These offices can be found through the HUD website, www.hud.gov/.

Appendices A: Definitions

The terms **HUD, Public housing, and Public Housing Agency (PHA)** are defined in 24 CFR part 5.

The following definitions also apply to 24 CFR Part 75 HUD's Economic Opportunities for Low-and Very Low-Income Persons:

1937 Act means the United States Housing Act of 1937, 42 U.S.C. 1437 et seq. activities related to Public Housing

Contractor means any entity entering into a contract with:

- (1) A recipient to perform work in connection with the expenditure of public housing financial assistance or for work in connection with a Section 3 project; or
- (2) A sub recipient for work in connection with a Section 3 project.

Labor hours means the number of paid hours worked by persons on a Section 3 project or by persons employed with funds that include public housing financial assistance.

Low-income person means a person as defined in Section 3(b)(2) of the 1937 Act, at or below 80% AMI. Note that Section 3 worker eligibility uses individual income rather than family/household income.

Material supply contracts means contracts for the purchase of products and materials, including, but not limited to, lumber, drywall, wiring, concrete, pipes, toilets, sinks, carpets, and office supplies.

Professional services means non-construction services that require an advanced degree or professional licensing, including, but not limited to, contracts for legal services, financial consulting, accounting services, environmental assessment, architectural services, and civil engineering services.

Public housing financial assistance means assistance as defined in 24 CFR Part 75.3(a)(1).

Public housing project is defined in 24 CFR 905.108.

Recipient means any entity that receives directly from HUD public housing financial assistance or housing and community development assistance that funds Section 3 projects, including, but not limited to, any State, local government, instrumentality, PHA, or other public agency, public or private nonprofit organization.

Section 3 means Section 3 of the Housing and Urban Development Act of 1968, as amended (12 U.S.C. 1701u).
Section 3 business concern means:

- (1) A business concern meeting at least one of the following criteria, documented within the last six-month period:
 - (i) It is at least 51 percent owned and controlled by low- or very low-income persons;
 - (ii) Over 75 percent of the labor hours performed for the business over the prior three-month period are performed by Section 3 workers; or
 - (iii) It is a business at least 51 percent owned and controlled by current public housing residents or residents who currently live in Section 8-assisted housing.
- (2) The status of a Section 3 business concern shall not be negatively affected by a prior arrest or conviction of its owner(s) or employees.
- (3) Nothing in this part shall be construed to require the contracting or subcontracting of a Section 3 business concern. Section 3 business concerns are not exempt from meeting the specifications of the contract.

Section 8-assisted housing refers to housing receiving project-based rental assistance or tenant-based assistance under Section 8 of the 1937 Act.

Service area or the neighborhood of the project means an area within one mile of the Section 3 project or, if fewer than 5,000 people live within one mile of a Section 3 project, within a circle centered on the Section 3 project that is sufficient to encompass a population of 5,000 people according to the most recent U.S. Census.

Subcontractor means any entity that has a contract with a contractor to undertake a portion of the contractor's obligation to perform work in connection with the expenditure of public housing financial assistance or for a Section 3 project.

Subrecipient has the meaning provided in the applicable program regulations or in 2 CFR 200.93.

Targeted Section 3 worker has the meanings provided in 24 CFR Part 75.11, 75.21, or 75.29, and does not exclude an individual that has a prior arrest or conviction.

Very low-income person means the definition for this term set forth in section 3(b) (2) of the 1937 Act (at or below 50% AMI)

YouthBuild programs refers to YouthBuild programs receiving assistance under the Workforce Innovation and Opportunity Act (29 U.S.C. 3226).

Section 3 Worker and Targeted Section 3 Worker Self-Certification Form

The purpose of HUD's Section 3 program is to provide employment, training and contracting opportunities to low-income individuals, particularly those who are recipients of government assistance for housing or other public assistance programs. **Your response is voluntary, confidential, and has no effect on your employment.**

Eligibility for Section 3 Worker or Targeted Section 3 Worker Status

A Section 3 worker seeking certification shall self-certify and submit this form to the recipient contractor or subcontractor, that the person is a Section 3 worker or Targeted Section 3 Worker as defined in 24 CFR Part 75.

Instructions: Enter/select the appropriate information to confirm your Section 3 worker or Targeted Section 3 Worker status.

Employee Name: _____

1. Are you a resident of public housing or a Housing Choice Voucher Holder (Section 8) Yes No
2. Are you a resident of GUAM)? Yes No

In the field below, select the amount of individual income you believe you earn on an annual basis.

- | | | |
|--|---|---|
| <input type="checkbox"/> Less than \$10,000 | <input type="checkbox"/> \$30,001- \$40,001 | <input type="checkbox"/> More than \$60,000 |
| <input type="checkbox"/> \$10,001 - \$20,000 | <input type="checkbox"/> \$40,001- \$50,000 | |
| <input type="checkbox"/> \$20,001 - \$30,000 | <input type="checkbox"/> \$50,001- \$60,000 | |

Select from ONE of the following two options below:

I qualify as a:

- Section 3 Worker (as defined on page 3 of Section 3 Worker Certification Form)
- Targeted Section 3 Worker (as defined on page 3 of Section 3 Worker Certification Form)

Employee Affirmation

I affirm that the above statements on this form are true, complete, and correct to the best of my knowledge and belief. I hereby certify, under penalty of law, that the following information is correct to the best of my knowledge.

Employee Address: _____

Print Name: _____

Date Hired: _____

Signature: _____

Date: _____

FOR ADMINISTRATIVE USE ONLY

Is the employee a Section 3 worker based upon their self-certification? Yes No

Is the employee a Targeted Section 3 worker based upon their self-certification? Yes No

Was this an applicant who was hired as a result of the Section 3 project? Yes No

If Yes, what is the name of the company? _____

What was the date of hire? _____

EMPLOYERS MUST RETAIN THIS FORM IN THEIR SECTION 3 COMPLIANCE FILE FOR FIVE YEARS.

Certification for Business Concerns Seeking Section 3 Preference in Contracting and Demonstration of Capability

Business Information	
Name of Business:	
Address of Business:	
Name of Business Owner :	
Phone Number of Business Owner:	
Email Address of Business Owner :	

Preferred Contact Information	
Same as above: <input type="checkbox"/>	
Name of Preferred Contact:	
Phone Number of Preferred Contact:	

Type of Business (select from the following options):

- Corporation
 Partnership
 Sole Proprietorship
 Joint Venture

Select from ONE of the following three options below that applies:

- At least 51 percent of the business is owned and controlled by low- or very low-income persons (Refer to income guidelines on page 3)
- At least 51 percent of the business is owned and controlled by current public housing residents or residents who currently live in Section 8-assisted housing.
- Over 75 percent of the labor hours performed for the business over the prior three-month period are performed by Section 3 workers (Refer to definition on page 3).

Business Concern Affirmation

I affirm that the above statements on this form are true, complete, and correct to the best of my knowledge and belief. I understand that businesses who misrepresent themselves as Section 3 business concerns and report false information to GHURA may have their contracts terminated as default and be barred from ongoing and future considerations for contracting opportunities. I hereby certify, under penalty of law, that the following information is correct to the best of my knowledge.

Print Name:

Signature:

Date:

**Certification expires within six months of the date of signature Information regarding Section 3 Business Concerns can be found at [24 CFR 75.5](#)*

FOR ADMINISTRATIVE USE ONLY

Is the business a Section 3 business concern based upon their certification?

Yes No

EMPLOYERS MUST RETAIN THIS FORM IN THEIR SECTION 3 COMPLIANCE FILE FOR FIVE YEARS.

JOB POSTING

We're looking for:

Laborer

Carpenter

Mason

Certified Mechanics

Email your resume and apply at example@mail.com

Inquire at:

(Phone number)

(Address here)

Exhibit 4

Contractor Certification to Efforts to Fully Comply with Employment and Training Provisions of Section 3 Provisions of 24CFR 75

The bidder represents and certifies as part of its bid/offer the following:

Section 3 Business concern and has submitted the required certification with the bid. A Section 3 Business concern means a business concern:

- 1) At least 51 percent of the business is owned and controlled by low- or very low-income persons; or
- 2) At least 51 percent of the business is owned and controlled by current public housing residents or residents who currently live in Section 8-assisted housing; or
- 3) Over 75 percent of the labor hours performed for the business over the prior three-month period are performed by Section 3 workers.

I am not a Section 3 Business concern but who has and will continue to seek compliance with Section 3 by certifying to the following efforts to be undertaken.

Efforts to award subcontractor to Section 3 concerns (*Check all that apply*)

Contacting business assistance agencies, minority contractors associations and community organizations to inform them of the contracting opportunities and requesting their assistance in identifying Section 3 businesses which may solicit bids for a portion of the work.

Advertising contracting opportunities by posting notices, which provide general information about the work to be contracted and where to obtain additional information, in the common areas of the applicable development(s) owned and managed by the Housing Authority.

Providing written notice to all known Section 3 business concerns of contracting opportunities. This notice should be in sufficient time to allow the Section 3 business concerns to respond to bid invitations

Following up with Section 3 business concerns that have expressed interest in the contracting opportunities

Coordinating meetings at which Section 3 business concerns could be informed of specific elements of the work for which subcontract bids are being sought

Conducting workshops on contracting procedures and specific contracting opportunities in a timely manner so that Section 3 business concerns can take advantage of contracting opportunities

Advising Section 3 business concerns as to where they may seek assistance to overcome barriers such as inability to obtain bonding, lines of credit, financing, or insurance, and aiding Section 3 businesses in qualifying for such bonding, financing, insurance, etc.

Where appropriate, by breaking out contract work into economically feasible units to facilitate participation by Section 3 businesses

Entering into a "first source" hiring agreements with organizations representing Section 3 residents

Exhibit 4

- Establishing training programs, which are consistent with the requirements of the Department of Labor, specifically for Section 3 residents in the building trades
- Advertising employment and training positions to dwelling units
- Contacting resident councils and other resident organizations in the affected housing development to request assistance in notifying residents of the training and employment positions to be filled
- Undertaking such continued job training efforts as may be necessary to ensure the continued employment of Section 3 residents previously hired for employment opportunities.

Section 3 Efforts to comply affirmation

I affirm that the above statements on this form are true, complete, and correct to the best of my knowledge and belief. I understand that businesses who misrepresent themselves as Section 3 business concerns and report false information to GHURA may have their contracts terminated as default and be barred from ongoing and future considerations for contracting opportunities. I hereby certify, under penalty of law, that the following information is correct to the best of my knowledge.

Print Name & Title:

Signature:

Date:

Bidder/offeror, if the Bidder/offeror is an Individual Partner, if the Bidder/offeror is a Partnership Officer, if the Bidder/offeror is a Corporation

Print Name & Title:

Signature:

Date:

Bidder/offeror, if the Bidder/offeror is an Individual Partner, if the Bidder/offeror is a Partnership Officer, if the Bidder/offeror is a Corporation

**Certification expires within six months of the date of signature Information regarding Section 3 can be found at [24 CFR 75.5](#)*

FOR ADMINISTRATIVE USE ONLY

Is the business a Section 3 compliance based upon their certification?

Yes No

EMPLOYERS MUST RETAIN THIS FORM IN THEIR SECTION 3 COMPLIANCE FILE FOR FIVE YEARS.

GHURA Section 3 Job Order Form

The following job order shall be completed by vendors to request assistance in recruiting Section 3 Workers when they have new hire needs. The form should be submitted to the Section 3 Compliance Coordinator (ccabral@ghura.org) as soon as the contractor is aware of the hiring need. GHURA will use the form to identify and recruit candidates to fill the position. A separate job order must be completed for each position title.

This job order is not a substitute for recruitment efforts by the contractor/subcontractor. You are encouraged to engage in independent outreach efforts, including posting this job opening at the job site and posting at HUD Opportunity Portal. For hiring priorities, refer to your contract, or inquire with the Section 3 Compliance Administrator.

PART I: CONTRACTOR INFORMATION:

Contractor Name:	Project Description:	GHURA Contract Number
Point of Contact Title :	Telephone:	Email:
Work/Project Start Date	Work/Project End Date:	Notes:

PART II: JOB DETAILS:

Job Title:	Job Start Date:	Job End Date:
Job Location:	Pay Rate:	Required Skills/Experience:
Required Licenses/Certifications:	Work Hours/Days:	

PART III: CONTRACTOR EFFORTS:

Would your business be able to provide training or refer the Section 3 Worker to a local agency administering training programs?	<input type="checkbox"/> Yes <input type="checkbox"/> No
--	--

This form was completed by:

Name :
Date :
Signature:

Contractor Certification to Efforts to Fully Comply with Employment and Training Provisions of Section 3 Provisions of 24CFR 75

The bidder represents and certifies as part of its bid/offer the following:

Section 3 Business concern and has submitted the required certification with the bid. A Section 3 Business concern means a business concern:

- 1) At least 51 percent of the business is owned and controlled by low- or very low-income persons; or
- 2) At least 51 percent of the business is owned and controlled by current public housing residents or residents who currently live in Section 8-assisted housing; or
- 3) Over 75 percent of the labor hours performed for the business over the prior three-month period are performed by Section 3 workers.

I am not a Section 3 Business concern but who has and will continue to seek compliance with Section 3 by certifying to the following efforts to be undertaken.

Efforts to award subcontractor to Section 3 concerns (*Check a minimum of two items*)

Contacting business assistance agencies, minority contractors associations and community organizations to inform them of the contracting opportunities and requesting their assistance in identifying Section 3 businesses which may solicit bids for a portion of the work.

Advertising contracting opportunities by posting notices, which provide general information about the work to be contracted and where to obtain additional information, in the common areas of the applicable development(s) owned and managed by the Housing Authority.

Providing written notice to all known Section 3 business concerns of contracting opportunities. This notice should be in sufficient time to allow the Section 3 business concerns to respond to bid invitations

Following up with Section 3 business concerns that have expressed interest in the contracting opportunities

Coordinating meetings at which Section 3 business concerns could be informed of specific elements of the work for which subcontract bids are being sought

Conducting workshops on contracting procedures and specific contracting opportunities in a timely manner so that Section 3 business concerns can take advantage of contracting opportunities

Advising Section 3 business concerns as to where they may seek assistance to overcome barriers such as inability to obtain bonding, lines of credit, financing, or insurance, and aiding Section 3 businesses in qualifying for such bonding, financing, insurance, etc.

Where appropriate, by breaking out contract work into economically feasible units to facilitate participation by Section 3 businesses

Entering into a "first source" hiring agreements with organizations representing Section 3 residents

- Establishing training programs, which are consistent with the requirements of the Department of Labor, specifically for Section 3 residents in the building trades
- Advertising employment and training positions to dwelling units
- Contacting resident councils and other resident organizations in the affected housing development to request assistance in notifying residents of the training and employment positions to be filled
- Undertaking such continued job training efforts as may be necessary to ensure the continued employment of Section 3 residents previously hired for employment opportunities.

Section 3 Efforts to comply affirmation

I affirm that the above statements on this form are true, complete, and correct to the best of my knowledge and belief. I understand that businesses who misrepresent themselves as Section 3 business concerns and report false information to GHURA may have their contracts terminated as default and be barred from ongoing and future considerations for contracting opportunities. I hereby certify, under penalty of law, that the following information is correct to the best of my knowledge.

Print Name & Title:

Signature:

Date:

Bidder/offeror, if the Bidder/offeror is an Individual Partner, if the Bidder/offeror is a Partnership Officer, if the Bidder/offeror is a Corporation

Print Name & Title:

Signature:

Date:

Bidder/offeror, if the Bidder/offeror is an Individual Partner, if the Bidder/offeror is a Partnership Officer, if the Bidder/offeror is a Corporation

**Certification expires within six months of the date of signature Information regarding Section 3 can be found at [24 CFR 75.5](#)*

FOR ADMINISTRATIVE USE ONLY

Is the business a Section 3 compliance based upon their certification?

- Yes No

EMPLOYERS MUST RETAIN THIS FORM IN THEIR SECTION 3 COMPLIANCE FILE FOR FIVE YEARS.

Certification for Business Concerns Seeking Section 3 Preference in Contracting and Demonstration of Capability

Business Information	
Name of Business:	
Address of Business:	
Name of Business Owner :	
Phone Number of Business Owner:	
Email Address of Business Owner :	

Preferred Contact Information	
Same as above:	<input type="checkbox"/>
Name of Preferred Contact:	
Phone Number of Preferred Contact:	

Type of Business (select from the following options):

- Corporation
 Partnership
 Sole Proprietorship
 Joint Venture

Select from ONE of the following three options below that applies:

- At least 51 percent of the business is owned and controlled by low- or very low-income persons (Refer to income guidelines on page 3)
- At least 51 percent of the business is owned and controlled by current public housing residents or residents who currently live in Section 8-assisted housing.
- Over 75 percent of the labor hours performed for the business over the prior three-month period are performed by Section 3 workers (Refer to definition on page 3).
- N/A if the bidder is not claiming Section 3 preference.

Business Concern Affirmation

I affirm that the above statements on this form are true, complete, and correct to the best of my knowledge and belief. I understand that businesses who misrepresent themselves as Section 3 business concerns and report false information to GHURA may have their contracts terminated as default and be barred from ongoing and future considerations for contracting opportunities. I hereby certify, under penalty of law, that the following information is correct to the best of my knowledge.

Print Name:

Signature:

Date:

**Certification expires within six months of the date of signature Information regarding Section 3 Business Concerns can be found at [24 CFR 75.5](#)*

FOR ADMINISTRATIVE USE ONLY

Is the business a Section 3 business concern based upon their certification?

Yes No

EMPLOYERS MUST RETAIN THIS FORM IN THEIR SECTION 3 COMPLIANCE FILE FOR FIVE YEARS.

The Guam Housing and Urban Renewal Authority Section 3 Income Limits

Eligibility Guidelines

The workers income must be at or below the amount provided below for an individual (household of 1) regardless of actual household size.

Individual Income Limits		
FY20__ Income Limit Area	Income Limits Category	FY20__ Income Limits
GUAM	Extremely Low Income Limits 30%	\$14,350
	Very Low Income Limits 50%	\$23,900
	Low Income Limits 80%	\$38,200

Section 3 Worker Definition:

- A low or very low-income resident (the worker's income for the previous or annualized calendar year is below the income limit established by HUD); or
- Employed by a Section 3 business concern; or
- A Youth Build participant

Targeted Section 3 Worker Definition:

- Employed by a Section 3 business concern or
- Currently meets or when hired met at least one of the following categories as documented within the past five years:
 - A resident of public housing; or
 - A resident of other public housing projects or Section 8-assisted housing; or
 - A YouthBuild participant.

Law to be Observed

1. The Proposer is to be familiar with federal and local laws, codes, ordinances, and regulations which, in any manner, affect those engaged or employed in the work or the material or equipment used in or upon the site, or in any way affect the conduct of the work. No place of misunderstanding or ignorance on the part of the Arbitrator will in any way serve to modify the provision of the contract.

2. Restriction Against Contractors Employing Convicted Sex Offenders from Working at Government of Guam Venues. (§5253 of Title 5 Guam Code Annotated).

(a) No person convicted of a sex offense under the provisions of Chapter 25 of Title 9 Guam Code Annotated, or an offense as defined in Article 2 of Chapter 28, Title 9 GCA in Guam, or an offense in any jurisdiction which includes, at a minimum all of the elements of said offenses, or who is listed on the Sex Offender Registry, and who is employed by a business contracted to perform services for an agency or instrumentality of the Government of Guam other than a public highway;

By submission of this bid or offer, each Vendor and each person signing on behalf of any Vendor certifies, and in the case of a joint bids or offers each party thereto certifies as to its own organization, under penalty of perjury, that to the best of his knowledge and belief will be in compliance:

Print Name:

Print Name:

Signature:

Signature:

Title: _____
Bidder/offeror, if the Bidder/offeror is an Individual
Partner, if the Bidder/offeror is a Partnership
Officer, if the Bidder/offeror is a Corporation

Title: _____
Bidder/offeror, if the Bidder/offeror is an Individual
Partner, if the Bidder/offeror is a Partnership
Officer, if the Bidder/offeror is a Corporation

Company Name: _____

Company Name: _____

Date: _____

Date: _____

Bidder's Qualifications

All questions must be answered and the data given must be clear and comprehensive. This statement must be notarized. If necessary, add separate sheets for items requiring additional explanation. This information may be submitted in a separate sealed envelope marked **CONFIDENTIAL** "Bidder's Qualifications and Financial Statement". In the event your bid is not selected for award, this envelope will be returned to the Contractor unopened.

1. Name of Bidder	2. Date organized
3. Permanent main office address	4. State incorporated
	5. How many years have you been engaged in the contracting business under your present firm name?

6. Listing of current contracts: (Schedule these, showing nature of the work, gross amount of each contract, anticipated dates for completion, name and telephone number of owner's representative).

7. General character of work usually performed by your company.

--

8. Have you ever failed to complete any work awarded to you? If so, where and why?

--

9. Have you ever defaulted on a contract?

--

10. List the three (3) most important structures recently completed by your company, stating approximate cost of each, month and year completed, name and telephone number of owner's representative.

11. List your major equipment available for use on this contract.

12. Experience in construction work similar in importance to this project.

13. Background and experience of the principal members of your firm, including the officers and proposed construction superintendent.

--

14. Credit available for administration of this contract, furnish written evidence.

--

15. Financial report not more than three (3) months old and containing a balance sheet providing at least the following information.

Balance Sheet

ASSETS

CURRENT ASSETS:

- Cash
- Joint Venture Accounts
- Accounts Receivable
- Notes Receivable
- Accrued Interest on Notes
- Deposits
- Material and Prepaid Expense
- Total Current Assets

FIXED ASSETS - NET

OTHER ASSETS

TOTAL ASSETS:

LIABILITIES AND CAPITAL

CURRENT LIABILITIES

- Accounts Payable
- Notes Payable
- Accrued Interest on Notes
- Provision for Income Taxes
- Advances Received from Owners
- Accrued Salaries
- Accrued Payroll Taxes
- Other
- Total Current Liabilities

OTHER LIABILITIES

CAPITAL

- Capital Stock
- Authorized and Outstanding Shares,
Par Value
- Earned Surplus

TOTAL LIABILITIES AND CAPITAL

The undersigned hereby authorizes and requests any person, firm, or corporation to furnish any information requested by the Guam Housing and Urban Renewal Authority in verification of the recitals comprising this Statement of Bidder's Qualifications.

Signature of Bidder	Name of Bidder
Date	Title of Bidder

Sworn to before me this ____ day of _____, 20 ____

Notary Public
My Commission Expires _____

General Conditions for Construction Contracts - Public Housing Programs

U.S. Department of Housing and Urban Development
Office of Public and Indian Housing
OMB Approval No. 2577-0157 (exp. 3/31/2020)

Applicability. This form is applicable to any construction/development contract greater than \$150,000.

This form includes those clauses required by OMB's common rule on grantee procurement, implemented at HUD in 2 CFR 200, and those requirements set forth in Section 3 of the Housing and Urban Development Act of 1968 and its amendment by the Housing and Community Development Act of 1992, implemented by HUD at 24 CFR Part 135. The form is required for construction contracts awarded by Public Housing Agencies (PHAs).

The form is used by Housing Authorities in solicitations to provide necessary contract clauses. If the form were not used, HAs would be unable to enforce their contracts.

Public reporting burden for this collection of information is estimated to average 1.0 hours per response, including the time for reviewing instructions, searching existing data sources, gathering and maintaining the data needed, and completing and reviewing the collection of information. Responses to the collection of information are required to obtain a benefit or to retain a benefit.

The information requested does not lend itself to confidentiality.

HUD may not conduct or sponsor, and a person is not required to respond to a collection of information unless it displays a currently valid OMB number.

Table of Contents

Clause		Page	Clause		Page
1.	Definitions	2	Administrative Requirements		
2.	Contractor's Responsibility for Work	2	25.	Contract Period	9
3.	Architect's Duties, Responsibilities and Authority	2	26.	Order of Precedence	9
4.	Other Contracts	3	27.	Payments	9
Construction Requirements			28.	Contract Modifications	10
5.	Preconstruction Conference and Notice to Proceed	3	29.	Changes	10
6.	Construction Progress Schedule	3	30.	Suspension of Work	11
7.	Site Investigation and Conditions Affecting the Work	3	31.	Disputes	11
8.	Differing Site Conditions	4	32.	Default	11
9.	Specifications and Drawings for Construction	4	33.	Liquidated	12
10.	As-Built Drawings	5	34.	Termination of Convenience	12
11.	Material and Workmanship	5	35.	Assignment of Contract	12
12.	Permits and Codes	5	36.	Insurance	12
13.	Health, Safety, and Accident Prevention	6	37.	Subcontracts	13
14	Temporary Buildings and Transportation Materials	6	38	Subcontracting with Small and Minority Firms, Women's Business Enterprise, and Labor Surplus Area Firms	13
15.	Availability and Use of Utility Services	6	39.	Equal Employment Opportunity	13
16	Protection of Existing Vegetation, Structures, Equipment, Utilities, and Improvements	6	40	Employment, Training, and Contracting Opportunities for Low-Income Persons, Section 3 of the Housing and Urban Development Act of 1968	14
17.	Temporary Buildings and Transportation Materials	7	41.	Interest of Members of Congress	15
18	Clean Air and Water	7	42	Interest of Members, Officers, or Employees and Former Members, Officers, or Employees	15
19.	Energy Efficiency	7	43.	Limitations on Payments Made to Influence	15
20.	Inspection and Acceptance of Construction	7	44.	Royalties and Patents	15
21.	Use and Possession Prior to	8	45.	Examination and Retention of Contractor's Records	15
22.	Warranty of Title	8	46.	Labor Standards-Davis-Bacon and Related Acts	15
23.	Warranty of	8	47.	Non-Federal Prevailing Wage Rates	19
24.	Prohibition Against Liens	9	48.	Procurement of Recovered	19

1. Definitions

- (a) "Architect" means the person or other entity engaged by the PHA to perform architectural, engineering, design, and other services related to the work as provided for in the contract. When a PHA uses an engineer to act in this capacity, the terms "architect" and "engineer" shall be synonymous. The Architect shall serve as a technical representative of the Contracting Officer. The Architect's authority is as set forth elsewhere in this contract.
 - (b) "Contract" means the contract entered into between the PHA and the Contractor. It includes the forms of Bid, the Bid Bond, the Performance and Payment Bond or Bonds or other assurance of completion, the Certifications, Representations, and Other Statements of Bidders (form HUD-5370), these General Conditions of the Contract for Construction (form HUD-5370), the applicable wage rate determinations from the U.S. Department of Labor, any special conditions included elsewhere in the contract, the specifications, and drawings. It includes all formal changes to any of those documents by addendum, change order, or other modification.
 - (c) "Contracting Officer" means the person delegated the authority by the PHA to enter into, administer, and/or terminate this contract and designated as such in writing to the Contractor. The term includes any successor Contracting Officer and any duly authorized representative of the Contracting Officer also designated in writing. The Contracting Officer shall be deemed the authorized agent of the PHA in all dealings with the Contractor.
 - (d) "Contractor" means the person or other entity entering into the contract with the PHA to perform all of the work required under the contract.
 - (e) "Drawings" means the drawings enumerated in the schedule of drawings contained in the Specifications and as described in the contract clause entitled Specifications and Drawings for Construction herein.
 - (f) "HUD" means the United States of America acting through the Department of Housing and Urban Development including the Secretary, or any other person designated to act on its behalf. HUD has agreed, subject to the provisions of an Annual Contributions Contract (ACC), to provide financial assistance to the PHA, which includes assistance in financing the work to be performed under this contract. As defined elsewhere in these General Conditions or the contract documents, the determination of HUD may be required to authorize changes in the work or for release of funds to the PHA for payment to the Contractor. Notwithstanding HUD's role, nothing in this contract shall be construed to create any contractual relationship between the Contractor and HUD.
 - (g) "Project" means the entire project, whether construction or rehabilitation, the work for which is provided for in whole or in part under this contract.
 - (h) "PHA" means the Public Housing Agency organized under applicable state laws which is a party to this contract.
 - (j) "Specifications" means the written description of the technical requirements for construction and includes the criteria and tests for determining whether the requirements are met.
 - (l) "Work" means materials, workmanship, and manufacture and fabrication of components.
- (a) The Contractor shall furnish all necessary labor, materials, tools, equipment, and transportation necessary for performance of the work. The Contractor shall also furnish all necessary water, heat, light, and power not made available to the Contractor by the PHA pursuant to the clause entitled Availability and Use of Utility Services herein.
 - (b) The Contractor shall perform on the site, and with its own organization, work equivalent to at least [] (12 percent unless otherwise indicated) of the total amount of work to be performed under the order. This percentage may be reduced by a supplemental agreement to this order if, during performing the work, the Contractor requests a reduction and the Contracting Officer determines that the reduction would be to the advantage of the PHA.
 - (c) At all times during performance of this contract and until the work is completed and accepted, the Contractor shall directly superintend the work or assign and have on the work site a competent superintendent who is satisfactory to the Contracting Officer and has authority to act for the Contractor.
 - (d) The Contractor shall be responsible for all damages to persons or property that occur as a result of the Contractor's fault or negligence, and shall take proper safety and health precautions to protect the work, the workers, the public, and the property of others. The Contractor shall hold and save the PHA, its officers and agents, free and harmless from liability of any nature occasioned by the Contractor's performance. The Contractor shall also be responsible for all materials delivered and work performed until completion and acceptance of the entire work, except for any completed unit of work which may have been accepted under the contract.
 - (e) The Contractor shall lay out the work from base lines and bench marks indicated on the drawings and be responsible for all lines, levels, and measurements of all work executed under the contract. The Contractor shall verify the figures before laying out the work and will be held responsible for any error resulting from its failure to do so.
 - (f) The Contractor shall confine all operations (including storage of materials) on PHA premises to areas authorized or approved by the Contracting Officer.
 - (g) The Contractor shall at all times keep the work area, including storage areas, free from accumulations of waste materials. After completing the work and before final inspection, the Contractor shall (1) remove from the premises all scaffolding, equipment, tools, and materials (including rejected materials) that are not the property of the PHA and all rubbish caused by its work; (2) leave the work area in a clean, neat, and orderly condition satisfactory to the Contracting Officer; (3) perform all specified tests; and, (4) deliver the installation in complete and operating condition.
 - (h) The Contractor's responsibility will terminate when all work has been completed, the final inspection made, and the work accepted by the Contracting Officer. The Contractor will then be released from further obligation except as required by the warranties specified elsewhere in the contract.

3. Architect's Duties, Responsibilities, and Authority

- (a) The Architect for this contract, and any successor, shall be designated in writing by the Contracting Officer.

2. Contractor's Responsibility for Work

- (b) The Architect shall serve as the Contracting Officer's technical representative with respect to architectural, engineering, and design matters related to the work performed under the contract. The Architect may provide direction on contract performance. Such direction shall be within the scope of the contract and may not be of a nature which: (1) institutes additional work outside the scope of the contract; (2) constitutes a change as defined in the Changes clause herein; (3) causes an increase or decrease in the cost of the contract; (4) alters the Construction Progress Schedule; or (5) changes any of the other express terms or conditions of the contract.
- (c) The Architect's duties and responsibilities may include but shall not be limited to:
- (1) Making periodic visits to the work site, and on the basis of his/her on-site inspections, issuing written reports to the PHA which shall include all observed deficiencies. The Architect shall file a copy of the report with the Contractor's designated representative at the site;
 - (2) Making modifications in drawings and technical specifications and assisting the Contracting Officer in the preparation of change orders and other contract modifications for issuance by the Contracting Officer;
 - (3) Reviewing and making recommendations with respect to - (i) the Contractor's construction progress schedules; (ii) the Contractor's shop and detailed drawings; (iii) the machinery, mechanical and other equipment and materials or other articles proposed for use by the Contractor; and, (iv) the Contractor's price breakdown and progress payment estimates; and,
 - (4) Assisting in inspections, signing Certificates of Completion, and making recommendations with respect to acceptance of work completed under the contract.

4. Other Contracts

The PHA may undertake or award other contracts for additional work at or near the site of the work under this contract. The Contractor shall fully cooperate with the other contractors and with PHA employees and shall carefully adapt scheduling and performing the work under this contract to accommodate the additional work, heeding any direction that may be provided by the Contracting Officer. The Contractor shall not commit or permit any act that will interfere with the performance of work by any other contractor or by PHA employees

Construction Requirements

5. Pre-construction Conference and Notice to Proceed

- (a) Within ten calendar days of contract execution, and prior to the commencement of work, the Contractor shall attend a preconstruction conference with representatives of the PHA, its Architect, and other interested parties convened by the PHA. The conference will serve to acquaint the participants with the general plan of the construction operation and all other requirements of the contract. The PHA will provide the Contractor with the date, time, and place of the conference.
- (b) The contractor shall begin work upon receipt of a written Notice to Proceed from the Contracting Officer or designee. The Contractor shall not begin work prior to receiving such notice.

6. Construction Progress Schedule

- (a) The Contractor shall, within five days after the work commences on the contract or another period of time determined by the Contracting Officer, prepare and submit to the Contracting Officer for approval three copies of a practicable schedule showing the order in which the Contractor proposes to perform the work, and the dates on which the Contractor contemplates starting and completing the several salient features of the work (including acquiring labor, materials, and equipment). The schedule shall be in the form of a progress chart of suitable scale to indicate appropriately the percentage of work scheduled for completion by any given date during the period. If the Contractor fails to submit a schedule within the time prescribed, the Contracting Officer may withhold approval of progress payments or take other remedies under the contract until the Contractor submits the required schedule.
- (b) The Contractor shall enter the actual progress on the chart as required by the Contracting Officer, and immediately deliver three copies of the annotated schedule to the Contracting Officer. If the Contracting Officer determines, upon the basis of inspection conducted pursuant to the clause entitled Inspection and Acceptance of Construction, herein that the Contractor is not meeting the approved schedule, the Contractor shall take steps necessary to improve its progress, including those that may be required by the Contracting Officer, without additional cost to the PHA. In this circumstance, the Contracting Officer may require the Contractor to increase the number of shifts, overtime operations, days of work, and/or the amount of construction plant, and to submit for approval any supplementary schedule or schedules in chart form as the Contracting Officer deems necessary to demonstrate how the approved rate of progress will be regained.
- (c) Failure of the Contractor to comply with the requirements of the Contracting Officer under this clause shall be grounds for a determination by the Contracting Officer that the Contractor is not prosecuting the work with sufficient diligence to ensure completion within the time specified in the Contract. Upon making this determination, the Contracting Officer may terminate the Contractor's right to proceed with the work, or any separable part of it, in accordance with the Default clause of this contract.

7. Site Investigation and Conditions Affecting the Work

- (a) The Contractor acknowledges that it has taken steps reasonably necessary to ascertain the nature and location of the work, and that it has investigated and satisfied itself as to the general and local conditions which can affect the work or its cost, including but not limited to, (1) conditions bearing upon transportation, disposal, handling, and storage of materials; (2) the availability of labor, water, electric power, and roads; (3) uncertainties of weather, river stages, tides, or similar physical conditions at the site; (4) the conformation and conditions of the ground; and (5) the character of equipment and facilities needed preliminary to and during work performance. The Contractor also acknowledges that it has satisfied itself as to the character, quality, and quantity of surface and subsurface materials or obstacles to be encountered insofar as this information is

reasonably ascertainable from an inspection of the site, including all exploratory work done by the PHA, as well as from the drawings and specifications made a part of this contract. Any failure of the Contractor to take the actions described and acknowledged in this paragraph will not relieve the Contractor from responsibility for estimating properly the difficulty and cost of successfully performing the work, or for proceeding to successfully perform the work without additional expense to the PHA.

- (b) The PHA assumes no responsibility for any conclusions or interpretations made by the Contractor based on the information made available by the PHA. Nor does the PHA assume responsibility for any understanding reached or representation made concerning conditions which can affect the work by any of its officers or agents before the execution of this contract, unless that understanding or representation is expressly stated in this contract.

8. Differing Site Conditions

- (a) The Contractor shall promptly, and before the conditions are disturbed, give a written notice to the Contracting Officer of (1) subsurface or latent physical conditions at the site which differ materially from those indicated in this contract, or (2) unknown physical conditions at the site(s), of an unusual nature, which differ materially from those ordinarily encountered and generally recognized as inhering in work of the character provided for in the contract.
- (b) The Contracting Officer shall investigate the site conditions promptly after receiving the notice. Work shall not proceed at the affected site, except at the Contractor's risk, until the Contracting Officer has provided written instructions to the Contractor. If the conditions do materially so differ and cause an increase or decrease in the Contractor's cost of, or the time required for, performing any part of the work under this contract, whether or not changed as a result of the conditions, the Contractor shall file a claim in writing to the PHA within ten days after receipt of such instructions and, in any event, before proceeding with the work. An equitable adjustment in the contract price, the delivery schedule, or both shall be made under this clause and the contract modified in writing accordingly.
- (c) No request by the Contractor for an equitable adjustment to the contract under this clause shall be allowed, unless the Contractor has given the written notice required; provided, that the time prescribed in (a) above for giving written notice may be extended by the Contracting Officer.
- (d) No request by the Contractor for an equitable adjustment to the contract for differing site conditions shall be allowed if made after final payment under this contract.

9. Specifications and Drawings for Construction

- (a) The Contractor shall keep on the work site a copy of the drawings and specifications and shall at all times give the Contracting Officer access thereto. Anything mentioned in the specifications and not shown on the drawings, or shown on the drawings and not mentioned in the specifications, shall be of like effect as if shown or mentioned in both. In case of difference between drawings and specifications, the specifications shall govern. In case of discrepancy in the figures, in the drawings, or in the specifications, the matter shall be

promptly submitted to the Contracting Officer, who shall promptly make a determination in writing. Any adjustment by the Contractor without such a determination shall be at its own risk and expense. The Contracting Officer shall furnish from time to time such detailed drawings and other information as considered necessary, unless otherwise provided.

- (b) Wherever in the specifications or upon the drawings the words "directed", "required", "ordered", "designated", "prescribed", or words of like import are used, it shall be understood that the "direction", "requirement", "order", "designation", or "prescription", of the Contracting Officer is intended and similarly the words "approved", "acceptable", "satisfactory", or words of like import shall mean "approved by", or "acceptable to", or "satisfactory to" the Contracting Officer, unless otherwise expressly stated.
- (c) Where "as shown" "as indicated", "as detailed", or of similar import are used, it shall be understood that the reference is made to the drawings accompanying this contract unless stated otherwise. The word "provided" as used herein shall be understood to mean "provide complete in place" that is "furnished and installed".
- (d) "Shop drawings" means drawings, submitted to the PHA by the Contractor, subcontractor, or any lower tier subcontractor, showing in detail (1) the proposed fabrication and assembly of structural elements and (2) the installation (i.e., form, fit, and attachment details) of materials of equipment. It includes drawings, diagrams, layouts, schematics, descriptive literature, illustrations, schedules, performance and test data, and similar materials furnished by the Contractor to explain in detail specific portions of the work required by the contract. The PHA may duplicate, use, and disclose in any manner and for any purpose shop drawings delivered under this contract.
- (e) If this contract requires shop drawings, the Contractor shall coordinate all such drawings, and review them for accuracy, completeness, and compliance with other contract requirements and shall indicate its approval thereon as evidence of such coordination and review. Shop drawings submitted to the Contracting Officer without evidence of the Contractor's approval may be returned for resubmission. The Contracting Officer will indicate an approval or disapproval of the shop drawings and if not approved as submitted shall indicate the PHA's reasons therefore. Any work done before such approval shall be at the Contractor's risk. Approval by the Contracting Officer shall not relieve the Contractor from responsibility for any errors or omissions in such drawings, nor from responsibility for complying with the requirements of this contract, except with respect to variations described and approved in accordance with (f) below.
- (f) If shop drawings show variations from the contract requirements, the Contractor shall describe such variations in writing, separate from the drawings, at the time of submission. If the Architect approves any such variation and the Contracting Officer concurs, the Contracting Officer shall issue an appropriate modification to the contract, except that, if the variation is minor or does not involve a change in price or in time of performance, a modification need not be issued.
- (g) It shall be the responsibility of the Contractor to make timely requests of the PHA for such large scale and full size drawings, color schemes, and other additional information, not already in his possession, which shall be

required in the planning and production of the work. Such requests may be submitted as the need arises, but each such request shall be filed in ample time to permit appropriate action to be taken by all parties involved so as to avoid delay.

- (h) The Contractor shall submit to the Contracting Officer for approval four copies (unless otherwise indicated) of all shop drawings as called for under the various headings of these specifications. Three sets (unless otherwise indicated) of all shop drawings, will be retained by the PHA and one set will be returned to the Contractor. As required by the Contracting Officer, the Contractor, upon completing the work under this contract, shall furnish a complete set of all shop drawings as finally approved. These drawings shall show all changes and revisions made up to the time the work is completed and accepted.
- (i) This clause shall be included in all subcontracts at any tier. It shall be the responsibility of the Contractor to ensure that all shop drawings prepared by subcontractors are submitted to the Contracting Officer.

10. As-Built Drawings

- (a) "As-built drawings," as used in this clause, means drawings submitted by the Contractor or subcontractor at any tier to show the construction of a particular structure or work as actually completed under the contract. "As-built drawings" shall be synonymous with "Record drawings."
- (b) As required by the Contracting Officer, the Contractor shall provide the Contracting Officer accurate information to be used in the preparation of permanent as-built drawings. For this purpose, the Contractor shall record on one set of contract drawings all changes from the installations originally indicated, and record final locations of underground lines by depth from finish grade and by accurate horizontal offset distances to permanent surface improvements such as buildings, curbs, or edges of walks.
- (c) This clause shall be included in all subcontracts at any tier. It shall be the responsibility of the Contractor to ensure that all as-built drawings prepared by subcontractors are submitted to the Contracting Officer.

11. Material and Workmanship

- (a) All equipment, material, and articles furnished under this contract shall be new and of the most suitable grade for the purpose intended, unless otherwise specifically provided in this contract. References in the contract to equipment, material, articles, or patented processes by trade name, make, or catalog number, shall be regarded as establishing a standard of quality and shall not be construed as limiting competition. The Contractor may, at its option, use any equipment, material, article, or process that, in the judgment of, and as approved by the Contracting Officer, is equal to that named in the specifications, unless otherwise specifically provided in this contract.
- (b) Approval of equipment and materials.
 - (1) The Contractor shall obtain the Contracting Officer's approval of the machinery and mechanical and other equipment to be incorporated into the work. When requesting approval, the Contractor shall furnish to the Contracting Officer the name of the manufacturer, the model number, and other information concerning the performance, capacity, nature, and rating of the

machinery and mechanical and other equipment. When required by this contract or by the Contracting Officer, the Contractor shall also obtain the Contracting Officer's approval of the material or articles which the Contractor contemplates incorporating into the work. When requesting approval, the Contractor shall provide full information concerning the material or articles. Machinery, equipment, material, and articles that do not have the required approval shall be installed or used at the risk of subsequent rejection.

- (2) When required by the specifications or the Contracting Officer, the Contractor shall submit appropriately marked samples (and certificates related to them) for approval at the Contractor's expense, with all shipping charges prepaid. The Contractor shall label, or otherwise properly mark on the container, the material or product represented, its place of origin, the name of the producer, the Contractor's name, and the identification of the construction project for which the material or product is intended to be used.
- (3) Certificates shall be submitted in triplicate, describing each sample submitted for approval and certifying that the material, equipment or accessory complies with contract requirements. The certificates shall include the name and brand of the product, name of manufacturer, and the location where produced.
- (4) Approval of a sample shall not constitute a waiver of the PHA right to demand full compliance with contract requirements. Materials, equipment and accessories may be rejected for cause even though samples have been approved.
- (5) Wherever materials are required to comply with recognized standards or specifications, such specifications shall be accepted as establishing the technical qualities and testing methods, but shall not govern the number of tests required to be made nor modify other contract requirements. The Contracting Officer may require laboratory test reports on items submitted for approval or may approve materials on the basis of data submitted in certificates with samples. Check tests will be made on materials delivered for use only as frequently as the Contracting Officer determines necessary to insure compliance of materials with the specifications. The Contractor will assume all costs of retesting materials which fail to meet contract requirements and/or testing materials offered in substitution for those found deficient.
- (6) After approval, samples will be kept in the Project office until completion of work. They may be built into the work after a substantial quantity of the materials they represent has been built in and accepted.
- (c) Requirements concerning lead-based paint. The Contractor shall comply with the requirements concerning lead-based paint contained in the Lead-Based Paint Poisoning Prevention Act (42 U.S.C. 4821-4846) as implemented by 24 CFR Part 35.

12. Permits and Codes

- (a) The Contractor shall give all notices and comply with all applicable laws, ordinances, codes, rules and regulations. Notwithstanding the requirement of the Contractor to comply with the drawings and specifications in the contract, all work installed shall comply with all applicable codes and regulations as amended by any

waivers. Before installing the work, the Contractor shall examine the drawings and the specifications for compliance with applicable codes and regulations bearing on the work and shall immediately report any discrepancy it may discover to the Contracting Officer. Where the requirements of the drawings and specifications fail to comply with the applicable code or regulation, the Contracting Officer shall modify the contract by change order pursuant to the clause entitled Changes herein to conform to the code or regulation.

- (b) The Contractor shall secure and pay for all permits, fees, and licenses necessary for the proper execution and completion of the work. Where the PHA can arrange for the issuance of all or part of these permits, fees and licenses, without cost to the Contractor, the contract amount shall be reduced accordingly.

13. Health, Safety, and Accident Prevention

- (a) In performing this contract, the Contractor shall:
- (1) Ensure that no laborer or mechanic shall be required to work in surroundings or under working conditions which are unsanitary, hazardous, or dangerous to his/her health and/or safety as determined under construction safety and health standards promulgated by the Secretary of Labor by regulation;
 - (2) Protect the lives, health, and safety of other persons;
 - (3) Prevent damage to property, materials, supplies, and equipment; and,
 - (4) Avoid work interruptions.
- (b) For these purposes, the Contractor shall:
- (1) Comply with regulations and standards issued by the Secretary of Labor at 29 CFR Part 1926. Failure to comply may result in imposition of sanctions pursuant to the Contract Work Hours and Safety Standards Act (Public Law 91-54, 83 Stat. 96), 40 U.S.C. 3701 et seq.; and
 - (2) Include the terms of this clause in every subcontract so that such terms will be binding on each subcontractor.
- (c) The Contractor shall maintain an accurate record of exposure data on all accidents incident to work performed under this contract resulting in death, traumatic injury, occupational disease, or damage to property, materials, supplies, or equipment, and shall report this data in the manner prescribed by 29 CFR Part 1904.
- (d) The Contracting Officer shall notify the Contractor of any noncompliance with these requirements and of the corrective action required. This notice, when delivered to the Contractor or the Contractor's representative at the site of the work, shall be deemed sufficient notice of the noncompliance and corrective action required. After receiving the notice, the Contractor shall immediately take corrective action. If the Contractor fails or refuses to take corrective action promptly, the Contracting Officer may issue an order stopping all or part of the work until satisfactory corrective action has been taken. The Contractor shall not base any claim or request for equitable adjustment for additional time or money on any stop order issued under these circumstances.
- (e) The Contractor shall be responsible for its subcontractors' compliance with the provisions of this clause. The Contractor shall take such action with respect to any subcontract as the PHA, the Secretary of Housing and Urban Development, or the Secretary of Labor shall direct as a means of enforcing such provisions.

14. Temporary Heating

The Contractor shall provide and pay for temporary heating, covering, and enclosures necessary to properly protect all work and materials against damage by dampness and cold, to dry out the work, and to facilitate the completion of the work. Any permanent heating equipment used shall be turned over to the PHA in the condition and at the time required by the specifications.

15. Availability and Use of Utility Services

- (a) The PHA shall make all reasonably required amounts of utilities available to the Contractor from existing outlets and supplies, as specified in the contract. Unless otherwise provided in the contract, the amount of each utility service consumed shall be charged to or paid for by the Contractor at prevailing rates charged to the PHA or, where the utility is produced by the PHA, at reasonable rates determined by the Contracting Officer. The Contractor shall carefully conserve any utilities furnished without charge.
- (b) The Contractor, at its expense and in a manner satisfactory to the Contracting Officer, shall install and maintain all necessary temporary connections and distribution lines, and all meters required to measure the amount of each utility used for the purpose of determining charges. Before final acceptance of the work by the PHA, the Contractor shall remove all the temporary connections, distribution lines, meters, and associated paraphernalia.

16. Protection of Existing Vegetation, Structures, Equipment, Utilities, and Improvements

- (a) The Contractor shall preserve and protect all structures, equipment, and vegetation (such as trees, shrubs, and grass) on or adjacent to the work site, which are not to be removed under this contract, and which do not unreasonably interfere with the work required under this contract.
- (b) The Contractor shall only remove trees when specifically authorized to do so, and shall avoid damaging vegetation that will remain in place. If any limbs or branches of trees are broken during performance of this contract, or by the careless operation of equipment, or by workmen, the Contractor shall trim those limbs or branches with a clean cut and paint the cut with a tree-pruning compound as directed by the Contracting Officer.
- (c) The Contractor shall protect from damage all existing improvements and utilities (1) at or near the work site and (2) on adjacent property of a third party, the locations of which are made known to or should be known by the Contractor. Prior to disturbing the ground at the construction site, the Contractor shall ensure that all underground utility lines are clearly marked.
- (d) The Contractor shall shore up, brace, underpin, secure, and protect as necessary all foundations and other parts of existing structures adjacent to, adjoining, and in the vicinity of the site, which may be affected by the excavations or other operations connected with the construction of the project.
- (e) Any equipment temporarily removed as a result of work under this contract shall be protected, cleaned, and replaced in the same condition as at the time of award of this contract.

- (f) New work which connects to existing work shall correspond in all respects with that to which it connects and/or be similar to existing work unless otherwise required by the specifications.
- (g) No structural members shall be altered or in any way weakened without the written authorization of the Contracting Officer, unless such work is clearly specified in the plans or specifications.
- (h) If the removal of the existing work exposes discolored or unfinished surfaces, or work out of alignment, such surfaces shall be refinished, or the material replaced as necessary to make the continuous work uniform and harmonious. This, however, shall not be construed to require the refinishing or reconstruction of dissimilar finishes previously exposed, or finished surfaces in good condition, but in different planes or on different levels when brought together by the removal of intervening work, unless such refinishing or reconstruction is specified in the plans or specifications.
- (i) The Contractor shall give all required notices to any adjoining or adjacent property owner or other party before the commencement of any work.
- (j) The Contractor shall indemnify and save harmless the PHA from any damages on account of settlement or the loss of lateral support of adjoining property, any damages from changes in topography affecting drainage, and from all loss or expense and all damages for which the PHA may become liable in consequence of such injury or damage to adjoining and adjacent structures and their premises.
- (k) The Contractor shall repair any damage to vegetation, structures, equipment, utilities, or improvements, including those that are the property of a third party, resulting from failure to comply with the requirements of this contract or failure to exercise reasonable care in performing the work. If the Contractor fails or refuses to repair the damage promptly, the Contracting Officer may have the necessary work performed and charge the cost to the Contractor.

17. Temporary Buildings and Transportation of Materials

- (a) Temporary buildings (e.g., storage sheds, shops, offices, sanitary facilities) and utilities may be erected by the Contractor only with the approval of the Contracting Officer and shall be built with labor and materials furnished by the Contractor without expense to the PHA. The temporary buildings and utilities shall remain the property of the Contractor and shall be removed by the Contractor at its expense upon completion of the work. With the written consent of the Contracting Officer, the buildings and utilities may be abandoned and need not be removed.
- (b) The Contractor shall, as directed by the Contracting Officer, use only established roadways, or use temporary roadways constructed by the Contractor when and as authorized by the Contracting Officer. When materials are transported in prosecuting the work, vehicles shall not be loaded beyond the loading capacity recommended by the manufacturer of the vehicle or prescribed by any federal, state, or local law or regulation. When it is necessary to cross curbs or sidewalks, the Contractor shall protect them from damage. The Contractor shall repair or pay for the repair of any damaged curbs, sidewalks, or roads.

18. Clean Air and Water

The contractor shall comply with the Clean Air Act, as amended, 42 USC 7401 et seq., the Federal Water Pollution Control Water Act, as amended, 33 U.S.C. 1251 et seq., and standards issued pursuant thereto in the facilities in which this contract is to be performed.

19. Energy Efficiency

The Contractor shall comply with mandatory standards and policies relating to energy efficiency which are contained in the energy conservation plan issued in compliance with the Energy Policy and Conservation Act (Pub.L. 94-163) for the State in which the work under the contract is performed.

20. Inspection and Acceptance of Construction

- (a) Definitions. As used in this clause -
 - (1) "Acceptance" means the act of an authorized representative of the PHA by which the PHA approves and assumes ownership of the work performed under this contract. Acceptance may be partial or complete.
 - (2) "Inspection" means examining and testing the work performed under the contract (including, when appropriate, raw materials, equipment, components, and intermediate assemblies) to determine whether it conforms to contract requirements.
 - (3) "Testing" means that element of inspection that determines the properties or elements, including functional operation of materials, equipment, or their components, by the application of established scientific principles and procedures.
- (b) The Contractor shall maintain an adequate inspection system and perform such inspections as will ensure that the work performed under the contract conforms to contract requirements. All work is subject to PHA inspection and test at all places and at all reasonable times before acceptance to ensure strict compliance with the terms of the contract.
- (c) PHA inspections and tests are for the sole benefit of the PHA and do not: (1) relieve the Contractor of responsibility for providing adequate quality control measures; (2) relieve the Contractor of responsibility for loss or damage of the material before acceptance; (3) constitute or imply acceptance; or, (4) affect the continuing rights of the PHA after acceptance of the completed work under paragraph (j) below.
- (d) The presence or absence of the PHA inspector does not relieve the Contractor from any contract requirement, nor is the inspector authorized to change any term or condition of the specifications without the Contracting Officer's written authorization. All instructions and approvals with respect to the work shall be given to the Contractor by the Contracting Officer.
- (e) The Contractor shall promptly furnish, without additional charge, all facilities, labor, and material reasonably needed for performing such safe and convenient inspections and tests as may be required by the Contracting Officer. The PHA may charge to the Contractor any additional cost of inspection or test when work is not ready at the time specified by the Contractor for inspection or test, or when prior rejection makes reinspection or retest necessary. The PHA shall perform all inspections and tests in a manner that will not unnecessarily delay the work. Special, full size, and performance tests shall be performed as described in the contract.

- (f) The PHA may conduct routine inspections of the construction site on a daily basis.
- (g) The Contractor shall, without charge, replace or correct work found by the PHA not to conform to contract requirements, unless the PHA decides that it is in its interest to accept the work with an appropriate adjustment in contract price. The Contractor shall promptly segregate and remove rejected material from the premises.
- (h) If the Contractor does not promptly replace or correct rejected work, the PHA may (1) by contract or otherwise, replace or correct the work and charge the cost to the Contractor, or (2) terminate for default the Contractor's right to proceed.
- (i) If any work requiring inspection is covered up without approval of the PHA, it must, if requested by the Contracting Officer, be uncovered at the expense of the Contractor. If at any time before final acceptance of the entire work, the PHA considers it necessary or advisable, to examine work already completed by removing or tearing it out, the Contractor, shall on request, promptly furnish all necessary facilities, labor, and material. If such work is found to be defective or nonconforming in any material respect due to the fault of the Contractor or its subcontractors, the Contractor shall defray all the expenses of the examination and of satisfactory reconstruction. If, however, such work is found to meet the requirements of the contract, the Contracting Officer shall make an equitable adjustment to cover the cost of the examination and reconstruction, including, if completion of the work was thereby delayed, an extension of time.
- (j) The Contractor shall notify the Contracting Officer, in writing, as to the date when in its opinion all or a designated portion of the work will be substantially completed and ready for inspection. If the Architect determines that the state of preparedness is as represented, the PHA will promptly arrange for the inspection. Unless otherwise specified in the contract, the PHA shall accept, as soon as practicable after completion and inspection, all work required by the contract or that portion of the work the Contracting Officer determines and designates can be accepted separately. Acceptance shall be final and conclusive except for latent defects, fraud, gross mistakes amounting to fraud, or the PHA's right under any warranty or guarantee.

21. Use and Possession Prior to Completion

- (a) The PHA shall have the right to take possession of or use any completed or partially completed part of the work. Before taking possession of or using any work, the Contracting Officer shall furnish the Contractor a list of items of work remaining to be performed or corrected on those portions of the work that the PHA intends to take possession of or use. However, failure of the Contracting Officer to list any item of work shall not relieve the Contractor of responsibility for complying with the terms of the contract. The PHA's possession or use shall not be deemed an acceptance of any work under the contract.
- (b) While the PHA has such possession or use, the Contractor shall be relieved of the responsibility for (1) the loss of or damage to the work resulting from the PHA's possession or use, notwithstanding the terms of the clause entitled Permits and Codes herein; (2) all maintenance costs on the areas occupied; and, (3) furnishing heat, light, power, and water used in the areas

occupied without proper remuneration therefore. If prior possession or use by the PHA delays the progress of the work or causes additional expense to the Contractor, an equitable adjustment shall be made in the contract price or the time of completion, and the contract shall be modified in writing accordingly.

22. Warranty of Title

The Contractor warrants good title to all materials, supplies, and equipment incorporated in the work and agrees to deliver the premises together with all improvements thereon free from any claims, liens or charges, and agrees further that neither it nor any other person, firm or corporation shall have any right to a lien upon the premises or anything appurtenant thereto.

23. Warranty of Construction

- (a) In addition to any other warranties in this contract, the Contractor warrants, except as provided in paragraph (j) of this clause, that work performed under this contract conforms to the contract requirements and is free of any defect in equipment, material, or workmanship performed by the Contractor or any subcontractor or supplier at any tier. This warranty shall continue for a period of **18 Months** (one year unless otherwise indicated) from the date of final acceptance of the work. If the PHA takes possession of any part of the work before final acceptance, this warranty shall continue for a period of (one year unless otherwise indicated) from the date that the PHA takes possession.
- (b) The Contractor shall remedy, at the Contractor's expense, any failure to conform, or any defect. In addition, the Contractor shall remedy, at the Contractor's expense, any damage to PHA-owned or controlled real or personal property when the damage is the result of—
 - (1) The Contractor's failure to conform to contract requirements; or
 - (2) Any defects of equipment, material, workmanship or design furnished by the Contractor.
- (c) The Contractor shall restore any work damaged in fulfilling the terms and conditions of this clause. The Contractor's warranty with respect to work repaired or replaced will run for (one year unless otherwise indicated) from the date of repair or replacement.
- (d) The Contracting Officer shall notify the Contractor, in writing, within a reasonable time after the discovery of any failure, defect or damage.
- (e) If the Contractor fails to remedy any failure, defect, or damage within a reasonable time after receipt of notice, the PHA shall have the right to replace, repair or otherwise remedy the failure, defect, or damage at the Contractor's expense.
- (f) With respect to all warranties, express or implied, from subcontractors, manufacturers, or suppliers for work performed and materials furnished under this contract, the Contractor shall:
 - (1) Obtain all warranties that would be given in normal commercial practice;
 - (2) Require all warranties to be executed in writing, for the benefit of the PHA; and,
 - (3) Enforce all warranties for the benefit of the PHA.
- (g) In the event the Contractor's warranty under paragraph (a) of this clause has expired, the PHA may bring suit at its own expense to enforce a subcontractor's, manufacturer's or supplier's warranty.

- (h) Unless a defect is caused by the negligence of the Contractor or subcontractor or supplier at any tier, the Contractor shall not be liable for the repair of any defect of material or design furnished by the PHA nor for the repair of any damage that results from any defect in PHA furnished material or design.
- (i) Notwithstanding any provisions herein to the contrary, the establishment of the time periods in paragraphs (a) and (c) above relate only to the specific obligation of the Contractor to correct the work, and have no relationship to the time within which its obligation to comply with the contract may be sought to be enforced, nor to the time within which proceedings may be commenced to establish the Contractor's liability with respect to its obligation other than specifically to correct the work.
- (j) This warranty shall not limit the PHA's rights under the Inspection and Acceptance of Construction clause of this contract with respect to latent defects, gross mistakes or fraud.

24. Prohibition Against Liens

The Contractor is prohibited from placing a lien on the PHA's property. This prohibition shall apply to all subcontractors at any tier and all materials suppliers.

Administrative Requirements

25. Contract Period

The Contractor shall complete all work required under this this contract within **see special conditions** calendar days of the effective date of the contract, or within the time schedule established in the notice to proceed issued by the Contracting Officer.

26. Order of Provisions

In the event of a conflict between these General Conditions and the Specifications, the General Conditions shall prevail. In the event of a conflict between the contract and any applicable state or local law or regulation, the state or local law or regulation shall prevail; provided that such state or local law or regulation does not conflict with, or is less restrictive than applicable federal law, regulation, or Executive Order. In the event of such a conflict, applicable federal law, regulation, and Executive Order shall prevail.

27. Payments

- (a) The PHA shall pay the Contractor the price as provided in this contract.
- (b) The PHA shall make progress payments approximately every 30 days as the work proceeds, on estimates of work accomplished which meets the standards of quality established under the contract, as approved by the Contracting Officer. The PHA may, subject to written determination and approval of the Contracting Officer, make more frequent payments to contractors which are qualified small businesses.
- (c) Before the first progress payment under this contract, the Contractor shall furnish, in such detail as requested by the Contracting Officer, a breakdown of the total contract price showing the amount included therein for each principal category of the work, which shall substantiate

basis for determining progress payments. The breakdown shall be approved by the Contracting Officer and must be acceptable to HUD. If the contract covers more than one project, the Contractor shall furnish a separate breakdown for each. The values and quantities employed in making up this breakdown are for determining the amount of progress payments and shall not be construed as a basis for additions to or deductions from the contract price. The Contractor shall prorate its overhead and profit over the construction period of the contract.

- (d) The Contractor shall submit, on forms provided by the PHA, periodic estimates showing the value of the work performed during each period based upon the approved

submitted not later than **10** days in advance of the date set for payment and are subject to correction and revision as required. The estimates must be approved by the Contracting Officer with the concurrence of the Architect prior to payment. If the contract covers more than one project, the Contractor shall furnish a separate progress payment estimate for each.

- (e) Along with each request for progress payments and the required estimates, the Contractor shall furnish the following certification, or payment shall not be made: I hereby certify, to the best of my knowledge and belief, that:

- (1) The amounts requested are only for performance in accordance with the specifications, terms, and conditions of the contract;
- (2) Payments to subcontractors and suppliers have been made from previous payments received under the contract, and timely payments will be made from the proceeds of the payment covered by this certification, in accordance with subcontract agreements; and,

- (3) This request for progress payments does not include any amounts which the prime contractor intends to withhold or retain from a subcontractor or supplier in accordance with the terms and conditions of the subcontract.

Name:

Title:

Date:

- (f) Except as otherwise provided in State law, the PHA shall retain ten (10) percent of the amount of progress payments until completion and acceptance of all work under the contract; except, that if upon completion of 50 percent of the work, the Contracting Officer, after consulting with the Architect, determines that the Contractor's performance and progress are satisfactory, the PHA may make the remaining payments in full for the work subsequently completed. If the Contracting Officer subsequently determines that the Contractor's performance and progress are unsatisfactory, the PHA shall reinstate the ten (10) percent (or other percentage as provided in State law) retainage until such time as the Contracting Officer determines that performance and progress are satisfactory.
- (g) The Contracting Officer may authorize material delivered on the site and preparatory work done to be taken into consideration when computing progress payments.

Material delivered to the Contractor at locations other than the site may also be taken into consideration if the Contractor furnishes satisfactory evidence that (1) it has acquired title to such material; (2) the material is properly stored in a bonded warehouse, storage yard, or similar suitable place as may be approved by the Contracting Officer; (3) the material is insured to cover its full value; and (4) the material will be used to perform this contract. Before any progress payment which includes delivered material is made, the Contractor shall furnish such documentation as the Contracting Officer may require to assure the protection of the PHA's interest in such materials. The Contractor shall remain responsible for such stored material notwithstanding the transfer of title to the PHA.

- (h) All material and work covered by progress payments made shall, at the time of payment become the sole property of the PHA, but this shall not be construed as (1) relieving the Contractor from the sole responsibility for all material and work upon which payments have been made or the restoration of any damaged work; or, (2) waiving the right of the PHA to require the fulfillment of all of the terms of the contract. In the event the work of the Contractor has been damaged by other contractors or persons other than employees of the PHA in the course of their employment, the Contractor shall restore such damaged work without cost to the PHA and to seek redress for its damage only from those who directly caused it.
- (i) The PHA shall make the final payment due the Contractor under this contract after (1) completion and final acceptance of all work; and (2) presentation of release of all claims against the PHA arising by virtue of this contract, other than claims, in stated amounts, that the Contractor has specifically excepted from the operation of the release. Each such exception shall embrace no more than one claim, the basis and scope of which shall be clearly defined. The amounts for such excepted claims shall not be included in the request for final payment. A release may also be required of the assignee if the Contractor's claim to amounts payable under this contract has been assigned.
- (j) Prior to making any payment, the Contracting Officer may require the Contractor to furnish receipts or other evidence of payment from all persons performing work and supplying material to the Contractor, if the Contracting Officer determines such evidence is necessary to substantiate claimed costs.
- (k) The PHA shall not; (1) determine or adjust any claims for payment or disputes arising there under between the Contractor and its subcontractors or material suppliers; or, (2) withhold any moneys for the protection of the subcontractors or material suppliers. The failure or refusal of the PHA to withhold moneys from the Contractor shall in no wise impair the obligations of any surety or sureties under any bonds furnished under this contract.

28. Contract Modifications

- (a) Only the Contracting Officer has authority to modify any term or condition of this contract. Any contract modification shall be authorized in writing.
- (b) The Contracting Officer may modify the contract unilaterally (1) pursuant to a specific authorization stated in a contract clause (e.g., Changes); or (2) for administrative matters which do not change the rights or

responsibilities of the parties (e.g., change in the PHA address). All other contract modifications shall be in the form of supplemental agreements signed by the Contractor and the Contracting Officer.

- (c) When a proposed modification requires the approval of HUD prior to its issuance (e.g., a change order that exceeds the PHA's approved threshold), such modification shall not be effective until the required approval is received by the PHA.

29. Changes

- (a) The Contracting Officer may, at any time, without notice to the sureties, by written order designated or indicated to be a change order, make changes in the work within the general scope of the contract including changes:
 - (1) In the specifications (including drawings and designs);
 - (2) In the method or manner of performance of the work;
 - (3) PHA-furnished facilities, equipment, materials, services, or site; or,
 - (4) Directing the acceleration in the performance of the work.
- (b) Any other written order or oral order (which, as used in this paragraph (b), includes direction, instruction, interpretation, or determination) from the Contracting Officer that causes a change shall be treated as a change order under this clause; provided, that the Contractor gives the Contracting Officer written notice stating (1) the date, circumstances and source of the order and (2) that the Contractor regards the order as a change order.
- (c) Except as provided in this clause, no order, statement or conduct of the Contracting Officer shall be treated as a change under this clause or entitle the Contractor to an equitable adjustment.
- (d) If any change under this clause causes an increase or decrease in the Contractor's cost of, or the time required for the performance of any part of the work under this contract, whether or not changed by any such order, the Contracting Officer shall make an equitable adjustment and modify the contract in writing. However, except for a adjustment based on defective specifications, no proposal for any change under paragraph (b) above shall be allowed for any costs incurred more than 20 days (5 days for oral orders) before the Contractor gives written notice as required. In the case of defective specifications for which the PHA is responsible, the equitable adjustment shall include any increased cost reasonably incurred by the Contractor in attempting to comply with the defective specifications.
- (e) The Contractor must assert its right to an adjustment under this clause within 30 days after (1) receipt of a written change order under paragraph (a) of this clause, or (2) the furnishing of a written notice under paragraph (b) of this clause, by submitting a written statement describing the general nature and the amount of the proposal. If the facts justify it, the Contracting Officer may extend the period for submission. The proposal may be included in the notice required under paragraph (b) above. No proposal by the Contractor for an equitable adjustment shall be allowed if asserted after final payment under this contract.
- (f) The Contractor's written proposal for equitable adjustment shall be submitted in the form of a lump sum proposal supported with an itemized breakdown of all increases and decreases in the contract in at least the following details:

- (1) Direct Costs. Materials (list individual items, the quantity and unit cost of each, and the aggregate cost); Transportation and delivery costs associated with materials; Labor breakdowns by hours or unit costs (identified with specific work to be performed); Construction equipment exclusively necessary for the change; Costs of preparation and/ or revision to shop drawings resulting from the change; Worker's Compensation and Public Liability Insurance; Employment taxes under FICA and FUTA; and, Bond Costs when size of change warrants revision.
- (2) Indirect Costs. Indirect costs may include overhead, general and administrative expenses, and fringe benefits not normally treated as direct costs.
- (3) Profit. The amount of profit shall be negotiated and may vary according to the nature, extent, and complexity of the work required by the change. The allowability of the direct and indirect costs shall be determined in accordance with the Contract Cost Principles and Procedures for Commercial Firms in Part 31 of the Federal Acquisition Regulation (48 CFR 1-31), as implemented by HUD Handbook 2210.18, in effect on the date of this contract. The Contractor shall not be allowed a profit on the profit received by any subcontractor. Equitable adjustments for deleted work shall include a credit for profit and may include a credit for indirect costs. On proposals covering both increases and decreases in the amount of the contract, the application of indirect costs and profit shall be on the net-change in direct costs for the Contractor or subcontractor performing the work.
- (g) The Contractor shall include in the proposal its request for time extension (if any), and shall include sufficient information and dates to demonstrate whether and to what extent the change will delay the completion of the contract in its entirety.
- (h) The Contracting Officer shall act on proposals within 30 days after their receipt, or notify the Contractor of the date when such action will be taken.
- (i) Failure to reach an agreement on any proposal shall be a dispute under the clause entitled Disputes herein. Nothing in this clause, however, shall excuse the Contractor from proceeding with the contract as changed.
- (j) Except in an emergency endangering life or property, no change shall be made by the Contractor without a prior order from the Contracting Officer.

30. Suspension of Work

- (a) The Contracting Officer may order the Contractor in writing to suspend, delay, or interrupt all or any part of the work of this contract for the period of time that the Contracting Officer determines appropriate for the convenience of the PHA.
- (b) If the performance of all or any part of the work is, for an unreasonable period of time, suspended, delayed, or interrupted (1) by an act of the Contracting Officer in the administration of this contract, or (2) by the Contracting Officer's failure to act within the time specified (or within a reasonable time if not specified) in this contract an adjustment shall be made for any increase in the cost of performance of the contract (excluding profit) necessarily caused by such unreasonable suspension, delay, or interruption and the contract modified in writing accordingly. However, no adjustment shall be made under this clause for any suspension, delay, or interruption to the extent that performance would have

been so suspended, delayed, or interrupted by any other cause, including the fault or negligence of the Contractor or for which any equitable adjustment is provided for or excluded under any other provision of this contract.

- (c) A claim under this clause shall not be allowed (1) for any costs incurred more than 20 days before the Contractor shall have notified the Contracting Officer in writing of the act or failure to act involved (but this requirement shall not apply as to a claim resulting from a suspension order); and, (2) unless the claim, in an amount stated, is asserted in writing as soon as practicable after the termination of the suspension, delay, or interruption, but not later than the date of final payment under the contract.

31. Disputes

- (a) "Claim," as used in this clause, means a written demand or written assertion by one of the contracting parties seeking, as a matter of right, the payment of money in a sum certain, the adjustment or interpretation of contract terms, or other relief arising under or relating to the contract. A claim arising under the contract, unlike a claim relating to the contract, is a claim that can be resolved under a contract clause that provides for the relief sought by the claimant. A voucher, invoice, or other routine request for payment that is not in dispute when submitted is not a claim. The submission may be converted to a claim by complying with the requirements of this clause, if it is disputed either as to liability or amount or is not acted upon in a reasonable time.
- (b) Except for disputes arising under the clauses entitled Labor Standards - Davis Bacon and Related Acts, herein, all disputes arising under or relating to this contract, including any claims for damages for the alleged breach thereof which are not disposed of by agreement, shall be resolved under this clause.
- (c) All claims by the Contractor shall be made in writing and submitted to the Contracting Officer for a written decision. A claim by the PHA against the Contractor shall be subject to a written decision by the Contracting Officer.
- (d) The Contracting Officer shall, within 60 (unless otherwise indicated) days after receipt of the request, decide the claim or notify the Contractor of the date by which the decision will be made.
- (e) The Contracting Officer's decision shall be final unless the Contractor (1) appeals in writing to a higher level in the PHA in accordance with the PHA's policy and procedures, (2) refers the appeal to an independent mediator or arbitrator, or (3) files suit in a court of competent jurisdiction. Such appeal must be made within (30 unless otherwise indicated) days after receipt of the Contracting Officer's decision.
- (f) The Contractor shall proceed diligently with performance of this contract, pending final resolution of any request for relief, claim, appeal, or action arising under or relating to the contract, and comply with any decision of the Contracting Officer.

32. Default

- (a) If the Contractor refuses or fails to prosecute the work, or any separable part thereof, with the diligence that will insure its completion within the time specified in this contract, or any extension thereof, or fails to complete said work within this time, the Contracting Officer may, by written notice to the Contractor, terminate the right to

proceed with the work (or separable part of the work) that has been delayed. In this event, the PHA may take over the work and complete it, by contract or otherwise, and may take possession of and use any materials, equipment, and plant on the work site necessary for completing the work. The Contractor and its sureties shall be liable for any damage to the PHA resulting from the Contractor's refusal or failure to complete the work within the specified time, whether or not the Contractor's right to proceed with the work is terminated. This liability includes any increased costs incurred by the PHA in completing the work.

- (b) The Contractor's right to proceed shall not be terminated or the Contractor charged with damages under this clause if—
- (1) The delay in completing the work arises from unforeseeable causes beyond the control and without the fault or negligence of the Contractor. Examples of such causes include (i) acts of God, or of the public enemy, (ii) acts of the PHA or other governmental entity in either its sovereign or contractual capacity, (iii) acts of another contractor in the performance of a contract with the PHA, (iv) fires, (v) floods, (vi) epidemics, (vii) quarantine restrictions, (viii) strikes, (ix) freight embargoes, (x) unusually severe weather, or (xi) delays of subcontractors or suppliers at any tier arising from unforeseeable causes beyond the control and without the fault or negligence of both the Contractor and the subcontractors or suppliers; and
 - (2) The Contractor, within days (10 days unless otherwise indicated) from the beginning of such delay (unless extended by the Contracting Officer) notifies the Contracting Officer in writing of the causes of delay. The Contracting Officer shall ascertain the facts and the extent of the delay. If, in the judgment of the Contracting Officer, the findings of fact warrant such action, time for completing the work shall be extended by written modification to the contract. The findings of the Contracting Officer shall be reduced to a written decision which shall be subject to the provisions of the Disputes clause of this contract.
- (c) If, after termination of the Contractor's right to proceed, it is determined that the Contractor was not in default, or that the delay was excusable, the rights and obligations of the parties will be the same as if the termination had been for convenience of the PHA.

33. Liquidated Damages

- (a) If the Contractor fails to complete the work within the time specified in the contract, or any extension, as specified in the clause entitled Default of this contract, the Contractor shall pay to the PHA as liquidated damages, the sum of \$ 150.00 [Contracting Officer insert amount] for each day of delay. If different completion dates are specified in the contract for separate parts or stages of the work, the amount of liquidated damages shall be assessed on those parts or stages which are delayed. To the extent that the Contractor's delay or nonperformance is excused under another clause in this contract, liquidated damages shall not be due the PHA. The Contractor remains liable for damages caused other than by delay.
- (b) If the PHA terminates the Contractor's right to proceed, the resulting damage will consist of liquidated damages until such reasonable time as may be required for final

completion of the work together with any increased costs occasioned the PHA in completing the work.

- (c) If the PHA does not terminate the Contractor's right to proceed, the resulting damage will consist of liquidated damages until the work is completed or accepted.

34. Termination for Convenience

- (a) The Contracting Officer may terminate this contract in whole, or in part, whenever the Contracting Officer determines that such termination is in the best interest of the PHA. Any such termination shall be effected by delivery to the Contractor of a Notice of Termination specifying the extent to which the performance of the work under the contract is terminated, and the date upon which such termination becomes effective.
- (b) If the performance of the work is terminated, either in whole or in part, the PHA shall be liable to the Contractor for reasonable and proper costs resulting from such termination upon the receipt by the PHA of a properly presented claim setting out in detail: (1) the total cost of the work performed to date of termination less the total amount of contract payments made to the Contractor; (2) the cost (including reasonable profit) of settling and paying claims under subcontracts and material orders for work performed and materials and supplies delivered to the site, payment for which has not been made by the PHA to the Contractor or by the Contractor to the subcontractor or supplier; (3) the cost of preserving and protecting the work already performed until the PHA or assignee takes possession thereof or assumes responsibility therefore; (4) the actual or estimated cost of legal and accounting services reasonably necessary to prepare and present the termination claim to the PHA; and (5) an amount constituting a reasonable profit on the value of the work performed by the Contractor.
- (c) The Contracting Officer will act on the Contractor's claim within days (60 days unless otherwise indicated) of receipt of the Contractor's claim.
- (d) Any disputes with regard to this clause are expressly made subject to the provisions of the Disputes clause of this contract.

35. Assignment of Contract

The Contractor shall not assign or transfer any interest in this contract; except that claims for monies due or to become due from the PHA under the contract may be assigned to a bank, trust company, or other financial institution. Such assignments of claims shall only be made with the written concurrence of the Contracting Officer. If the Contractor is a partnership, this contract shall inure to the benefit of the surviving or remaining member(s) of such partnership as approved by the Contracting Officer.

36. Insurance

- (a) Before commencing work, the Contractor and each subcontractor shall furnish the PHA with certificates of insurance showing the following insurance is in force and will insure all operations under the Contract:
- (1) Workers' Compensation, in accordance with state or Territorial Workers' Compensation laws.
 - (2) Commercial General Liability with a combined single limit for bodily injury and property damage of not less than \$ 1,000,000.00 [Contracting Officer insert amount]

per occurrence to protect the Contractor and each subcontractor against claims for bodily injury or death and damage to the property of others. This shall cover the use of all equipment, hoists, and vehicles on the site(s) not covered by Automobile Liability under (3) below. If the Contractor has a "claims made" policy, then the following additional requirements apply: the policy must provide a "retroactive date" which must be on or before the execution date of the Contract; and the extended reporting period may not be less than five years following the completion date of the Contract.

- (3) Automobile Liability on owned and non-owned motor vehicles used on the site(s) or in connection therewith for a combined single limit for bodily injury and property damage of not less than \$ 500,000.00 [Contracting Officer insert amount] per occurrence.
- (b) Before commencing work, the Contractor shall furnish the PHA with a certificate of insurance evidencing that Builder's Risk (fire and extended coverage) Insurance on all work in place and/or materials stored at the building site(s), including foundations and building equipment, is in force. The Builder's Risk Insurance shall be for the benefit of the Contractor and the PHA as their interests may appear and each shall be named in the policy or policies as an insured. The Contractor in installing equipment supplied by the PHA shall carry insurance on such equipment from the time the Contractor takes possession thereof until the Contract work is accepted by the PHA. The Builder's Risk Insurance need not be carried on excavations, piers, footings, or foundations until such time as work on the superstructure is started. It need not be carried on landscape work. Policies shall furnish coverage at all times for the full cash value of all completed construction, as well as materials in place and/or stored at the site(s), whether or not partial payment has been made by the PHA. The Contractor may terminate this insurance on buildings as of the date taken over for occupancy by the PHA. The Contractor is not required to carry Builder's Risk Insurance for modernization work which does not involve structural alterations or additions and where the PHA's existing fire and extended coverage policy can be endorsed to include such work.
- (c) All insurance shall be carried with companies which are financially responsible and admitted to do business in the State in which the project is located. If any such insurance is due to expire during the construction period, the Contractor (including subcontractors, as applicable) shall not permit the coverage to lapse and shall furnish evidence of coverage to the Contracting Officer. All certificates of insurance, as evidence of coverage, shall provide that no coverage may be canceled or non-renewed by the insurance company until at least 30 days prior written notice has been given to the Contracting Officer.

37. Subcontracts

- (a) Definitions. As used in this contract -
- (1) "Subcontract" means any contract, purchase order, or other purchase agreement, including modifications and change orders to the foregoing, entered into by a subcontractor to furnish supplies, materials, equipment, and services for the performance of the prime contractor or a subcontract.

(2) "Subcontractor" means any supplier, vendor, or firm that furnishes supplies, materials, equipment, or services to or for the Contractor or another subcontractor.

- (b) The Contractor shall not enter into any subcontract with any subcontractor who has been temporarily denied participation in a HUD program or who has been suspended or debarred from participating in contracting programs by any agency of the United States Government or of the state in which the work under this contract is to be performed.
- (c) The Contractor shall be as fully responsible for the acts or omissions of its subcontractors, and of persons either directly or indirectly employed by them as for the acts or omissions of persons directly employed by the Contractor.
- (d) The Contractor shall insert appropriate clauses in all subcontracts to bind subcontractors to the terms and conditions of this contract insofar as they are applicable to the work of subcontractors.
- (e) Nothing contained in this contract shall create any contractual relationship between any subcontractor and the PHA or between the subcontractor and HUD.

38. Subcontracting with Small and Minority Firms, Women's Business Enterprise, and Labor Surplus Area Firms

The Contractor shall take the following steps to ensure that, whenever possible, subcontracts are awarded to small business firms, minority firms, women's business enterprises, and labor surplus area firms:

- (a) Placing qualified small and minority businesses and women's business enterprises on solicitation lists;
- (b) Ensuring that small and minority businesses and women's business enterprises are solicited whenever they are potential sources;
- (c) Dividing total requirements, when economically feasible, into smaller tasks or quantities to permit maximum participation by small and minority businesses and women's business enterprises;
- (d) Establishing delivery schedules, where the requirements of the contract permit, which encourage participation by small and minority businesses and women's business enterprises; and
- (e) Using the services and assistance of the U.S. Small Business Administration, the Minority Business Development Agency of the U.S. Department of Commerce, and State and local governmental small business agencies.

39. Equal Employment Opportunity

During the performance of this contract, the Contractor agrees as follows:

- (a) The Contractor shall not discriminate against any employee or applicant for employment because of race, color, religion, sex, national origin, or handicap.
- (b) The Contractor shall take affirmative action to ensure that applicants are employed, and that employees are treated during employment without regard to their race, color, religion, sex, national origin, or handicap. Such action shall include, but not be limited to, (1) employment, (2) upgrading, (3) demotion, (4) transfer, (5) recruitment or recruitment advertising, (6) layoff or termination, (7) rates of pay or other forms of compensation, and (8) selection for training, including apprenticeship.

- (c) The Contractor shall post in conspicuous places available to employees and applicants for employment the notices to be provided by the Contracting Officer that explain this clause.
- (d) The Contractor shall, in all solicitations or advertisements for employees placed by or on behalf of the Contractor, state that all qualified applicants will receive consideration for employment without regard to race, color, religion, sex, national origin, or handicap.
- (e) The Contractor shall send, to each labor union or representative of workers with which it has a collective bargaining agreement or other contract or understanding, the notice to be provided by the Contracting Officer advising the labor union or workers' representative of the Contractor's commitments under this clause, and post copies of the notice in conspicuous places available to employees and applicants for employment.
- (f) The Contractor shall comply with Executive Order 11246, as amended, and the rules, regulations, and orders of the Secretary of Labor.
- (g) The Contractor shall furnish all information and reports required by Executive Order 11246, as amended, Section 503 of the Rehabilitation Act of 1973, as amended, and by rules, regulations, and orders of the Secretary of Labor, or pursuant thereto. The Contractor shall permit access to its books, records, and accounts by the Secretary of Labor for purposes of investigation to ascertain compliance with such rules, regulations, and orders.
- (h) In the event of a determination that the Contractor is not in compliance with this clause or any rule, regulation, or order of the Secretary of Labor, this contract may be canceled, terminated, or suspended in whole or in part, and the Contractor may be declared ineligible for further Government contracts, or Federally assisted construction contracts under the procedures authorized in Executive Order 11246, as amended. In addition, sanctions may be imposed and remedies invoked against the Contractor as provided in Executive Order 11246, as amended, the rules, regulations, and orders of the Secretary of Labor, or as otherwise provided by law.
- (i) The Contractor shall include the terms and conditions of this clause in every subcontract or purchase order unless exempted by the rules, regulations, or orders of the Secretary of Labor issued under Executive Order 11246, as amended, so that these terms and conditions will be binding upon each subcontractor or vendor. The Contractor shall take such action with respect to any subcontract or purchase order as the Secretary of Housing and Urban Development or the Secretary of Labor may direct as a means of enforcing such provisions, including sanctions for noncompliance; provided that if the Contractor becomes involved in, or is threatened with, litigation with a subcontractor or vendor as a result of such direction, the Contractor may request the United States to enter into the litigation to protect the interests of the United States.
- (j) Compliance with the requirements of this clause shall be to the maximum extent consistent with, but not in derogation of, compliance with section 7(b) of the Indian Self-Determination and Education Assistance Act and the Indian Preference clause of this contract.
- 40. Employment, Training, and Contracting Opportunities for Low-Income Persons, Section 3 of the Housing and Urban Development Act of 1968.**
- (a) The work to be performed under this contract is subject to the requirements of section 3 of the Housing and Urban Development Act of 1968, as amended, 12 U.S.C. 1701u (section 3). The purpose of section 3 is to ensure that employment and other economic opportunities generated by HUD assistance or HUD-assisted projects covered by section 3, shall, to the greatest extent feasible, be directed to low- and very low-income persons, particularly persons who are recipients of HUD assistance for housing.
- (b) The parties to this contract agree to comply with HUD's regulations in 24 CFR Part 135, which implement section 3. As evidenced by their execution of this contract, the parties to this contract certify that they are under no contractual or other impediment that would prevent them from complying with the Part 135 regulations.
- (c) The contractor agrees to send to each labor organization or representative of workers with which the contractor has a collective bargaining agreement or other understanding, if any, a notice advising the labor organization or workers' representative of the contractor's commitments under this section 3 clause, and will post copies of the notice in conspicuous places at the work site where both employees and applicants for training and employment positions can see the notice. The notice shall describe the section 3 preference, shall set forth minimum number and job titles subject to hire, availability of apprenticeship and training positions, the qualifications for each; and the name and location of the person(s) taking applications for each of the positions; and the anticipated date the work shall begin.
- (d) The contractor agrees to include this section 3 clause in every subcontract subject to compliance with regulations in 24 CFR Part 135, and agrees to take appropriate action, as provided in an applicable provision of the subcontract or in this section 3 clause, upon a finding that the subcontractor is in violation of the regulations in 24 CFR Part 135. The contractor will not subcontract with any subcontractor where the contractor has notice or knowledge that the subcontractor has been found in violation of the regulations in 24 CFR Part 135.
- (e) The contractor will certify that any vacant employment positions, including training positions, that are filled (1) after the contractor is selected but before the contract is executed, and (2) with persons other than those to whom the regulations of 24 CFR Part 135 require employment opportunities to be directed, were not filled to circumvent the contractor's obligations under 24 CFR Part 135.
- (f) Noncompliance with HUD's regulations in 24 CFR Part 135 may result in sanctions, termination of this contract for default, and debarment or suspension from future HUD assisted contracts.
- (g) With respect to work performed in connection with section 3 covered Indian housing assistance, section 7(b) of the Indian Self-Determination and Education Assistance Act (25 U.S.C. 450e) also applies to the work to be performed under this contract. Section 7(b) requires that to the greatest extent feasible (i) preference and opportunities for training and employment shall be given to Indians, and (ii) preference in the award of contracts and subcontracts shall be given to Indian organizations and Indian-owned Economic Enterprises. Parties to this contract that are subject to the provisions of section 3 and section 7(b) agree to comply with section 3 to the maximum extent feasible, but not in derogation of compliance with section 7(b).

41. Interest of Members of Congress

No member of or delegate to the Congress of the United States of America shall be admitted to any share or part of this contract or to any benefit that may arise therefrom.

42. Interest of Members, Officers, or Employees and Former Members, Officers, or Employees

No member, officer, or employee of the PHA, no member of the governing body of the locality in which the project is situated, no member of the governing body of the locality in which the PHA was activated, and no other public official of such locality or localities who exercises any functions or responsibilities with respect to the project, shall, during his or her tenure, or for one year thereafter, have any interest, direct or indirect, in this contract or the proceeds thereof.

43. Limitations on Payments made to Influence Certain Federal Financial Transactions

- (a) The Contractor agrees to comply with Section 1352 of Title 31, United States Code which prohibits the use of Federal appropriated funds to pay any person for influencing or attempting to influence an officer or employee of any agency, a Member of Congress, and officer or employee of Congress, or an employee of a Member of Congress in connection with any of the following covered Federal actions: the awarding of any Federal contract; the making of any Federal grant; the making of any Federal loan; the entering into of any cooperative agreement; or the modification of any Federal contract, grant, loan, or cooperative agreement.
- (b) The Contractor further agrees to comply with the requirement of the Act to furnish a disclosure (OMB Standard Form LLL, Disclosure of Lobbying Activities) if any funds other than Federal appropriated funds (including profit or fee received under a covered Federal transaction) have been paid, or will be paid, to any person for influencing or attempting to influence an officer or employee of any agency, a Member of Congress, an officer or employee of Congress, or an employee of a Member of Congress in connection with a Federal contract, grant, loan, or cooperative agreement.

44. Royalties and Patents

The Contractor shall pay all royalties and license fees. It shall defend all suits or claims for infringement of any patent rights and shall save the PHA harmless from loss on account thereof; except that the PHA shall be responsible for all such loss when a particular design, process or the product of a particular manufacturer or manufacturers is specified and the Contractor has no reason to believe that the specified design, process, or product is an infringement. If, however, the Contractor has reason to believe that any design, process or product specified is an infringement of a patent, the Contractor shall promptly notify the Contracting Officer. Failure to give such notice shall make the Contractor responsible for resultant loss.

45. Examination and Retention of Contractor's Records

- (a) The PHA, HUD, or Comptroller General of the United States, or any of their duly authorized representatives shall, until 3 years after final payment under this contract, have access to and the right to examine any of the Contractor's directly pertinent books, documents, papers, or other records involving transactions related to this contract for the purpose of making audit, examination, excerpts, and transcriptions.
- (b) The Contractor agrees to include in first-tier subcontracts under this contract a clause substantially the same as paragraph (a) above. "Subcontract," as used in this clause, excludes purchase orders not exceeding \$10,000.
- (c) The periods of access and examination in paragraphs (a) and (b) above for records relating to (1) appeals under the Disputes clause of this contract, (2) litigation or settlement of claims arising from the performance of this contract, or (3) costs and expenses of this contract to which the PHA, HUD, or Comptroller General or any of their duly authorized representatives has taken exception shall continue until disposition of such appeals, litigation, claims, or exceptions.

46. Labor Standards - Davis-Bacon and Related Acts

If the total amount of this contract exceeds \$2,000, the Federal labor standards set forth in the clause below shall apply to the development or construction work to be performed under the contract.

- (a) Minimum Wages.
- (1) All laborers and mechanics employed under this contract in the development or construction of the project(s) involved will be paid unconditionally and not less often than once a week, and without subsequent deduction or rebate on any account (except such payroll deductions as are permitted by regulations issued by the Secretary of Labor under the Copeland Act (29 CFR Part 3)), the full amount of wages and bona fide fringe benefits (or cash equivalents thereof) due at time of payment computed at rates not less than those contained in the wage determination of the Secretary of Labor which is attached hereto and made a part hereof, regardless of any contractual relationship which may be alleged to exist between the Contractor and such laborers and mechanics. Contributions made or costs reasonably anticipated for bona fide fringe benefits under Section 1(b)(2) of the Davis-Bacon Act on behalf of laborers or mechanics are considered wages paid to such laborers or mechanics, subject to the provisions of 29 CFR 5.5(a)(1)(iv); also, regular contributions made or costs incurred for more than a weekly period (but not less often than quarterly) under plans, funds, or programs which cover the regular weekly period, are deemed to be constructively made or incurred during such weekly period. Such laborers and mechanics shall be paid the appropriate wage rate and fringe benefits in the wage determination for the classification of work actually performed, without regard to skill, except as provided in 29 CFR 5.5(a)(4). Laborers or mechanics performing work in more than one classification may be compensated at the rate specified for each classification for the time actually worked therein; provided, that the employer's payroll records accurately set forth the time spent in each classification in which work is performed. The wage determination (including any additional classification and wage rates conformed under 29 CFR 5.5(a)(1)(ii) and the Davis-Bacon poster (WH-1321) shall

be posted at all times by the Contractor and its subcontractors at the site of the work in a prominent and accessible place where it can be easily seen by the workers.

- (2) (i) Any class of laborers or mechanics, including helpers, which is not listed in the wage determination and which is to be employed under the contract shall be classified in conformance with the wage determination. HUD shall approve an additional classification and wage rate and fringe benefits therefor only when all the following criteria have been met: (A) The work to be performed by the classification requested is not performed by a classification in the wage determination; and (B) The classification is utilized in the area by the construction industry; and (C) The proposed wage rate, including any bona fide fringe benefits, bears a reasonable relationship to the wage rates contained in the wage determination.
- (ii) If the Contractor and the laborers and mechanics to be employed in the classification (if known), or their representatives, and HUD or its designee agree on the classification and wage rate (including the amount designated for fringe benefits where appropriate), a report of the action taken shall be sent by HUD or its designee to the Administrator of the Wage and Hour Division, Employee Standards Administration, U.S. Department of Labor, Washington, DC 20210. The Administrator, or an authorized representative, will approve, modify, or disapprove every additional classification action within 30 days of receipt and so advise HUD or its designee or will notify HUD or its designee within the 30-day period that additional time is necessary.
- (iii) In the event the Contractor, the laborers or mechanics to be employed in the classification or their representatives, and HUD or its designee do not agree on the proposed classification and wage rate (including the amount designated for fringe benefits, where appropriate), HUD or its designee shall refer the questions, including the views of all interested parties and the recommendation of HUD or its designee, to the Administrator of the Wage and Hour Division for determination. The Administrator, or an authorized representative, will issue a determination within 30 days of receipt and so advise HUD or its designee or will notify HUD or its designee within the 30-day period that additional time is necessary.
- (iv) The wage rate (including fringe benefits where appropriate) determined pursuant to subparagraphs (a)(2)(ii) or (iii) of this clause shall be paid to all workers performing work in the classification under this contract from the first day on which work is performed in classification.
- (3) Whenever the minimum wage rate prescribed in the contract for a class of laborers or mechanics includes a fringe benefit which is not expressed as an hourly rate, the Contractor shall either pay the benefit as stated in the wage determination or shall pay another bona fide fringe benefit or an hourly cash equivalent thereof.
- (4) If the Contractor does not make payments to a trustee or other third person, the Contractor may consider as part of the wages of any laborer or mechanic the

amount of any costs reasonably anticipated in providing bona fide fringe benefits under a plan or program; provided, that the Secretary of Labor has found, upon the written request of the Contractor, that the applicable standards of the Davis-Bacon Act have been met. The Secretary of Labor may require the Contractor to set aside in a separate account assets for the meeting of obligations under the plan or program.

- (b) Withholding of funds. HUD or its designee shall, upon its own action or upon written request of an authorized representative of the Department of Labor, withhold or cause to be withheld from the Contractor under this contract or any other Federal contract with the same prime Contractor, or any other Federally-assisted contract subject to Davis-Bacon prevailing wage requirements, which is held by the same prime Contractor, so much of the accrued payments or advances as may be considered necessary to pay laborers and mechanics, including apprentices, trainees, and helpers, employed by the Contractor or any subcontractor the full amount of wages required by the contract. In the event of failure to pay any laborer or mechanic, including any apprentice, trainee, or helper, employed or working in the construction or development of the project, all or part of the wages required by the contract, HUD or its designee may, after written notice to the Contractor, take such action as may be necessary to cause the suspension of any further payment, advance, or guarantee of funds until such violations have ceased. HUD or its designee may, after written notice to the Contractor, disburse such amounts withheld for and on account of the Contractor or subcontractor to the respective employees to whom they are due.
- (c) Payrolls and basic records.
- (1) Payrolls and basic records relating thereto shall be maintained by the Contractor during the course of the work and preserved for a period of three years thereafter for all laborers and mechanics working in the construction or development of the project. Such records shall contain the name, address, and social security number of each such worker, his or her correct classification, hourly rates of wages paid (including rates of contributions or costs anticipated for bona fide fringe benefits or cash equivalents thereof of the types described in section 1(b)(2)(B) of the Davis-Bacon Act), daily and weekly number of hours worked, deductions made, and actual wages paid. Whenever the Secretary of Labor has found, under 29 CFR 5.5(a)(1)(iv), that the wages of any laborer or mechanic include the amount of costs reasonably anticipated in providing benefits under a plan or program described in section 1(b)(2)(B) of the Davis-Bacon Act, the Contractor shall maintain records which show that the commitment to provide such benefits is enforceable, that the plan or program is financially responsible, and that the plan or program has been communicated in writing to the laborers or mechanics affected, and records which show the costs anticipated or the actual cost incurred in providing such benefits. Contractors employing apprentices or trainees under approved programs shall maintain written evidence of the registration of apprenticeship programs and certification of trainee programs, the registration of the apprentices and trainees, and the ratios and wage rates prescribed in the applicable programs.

- (2) (i) The Contractor shall submit weekly for each week in which any contract work is performed a copy of all payrolls to the Contracting Officer for transmission to HUD or its designee. The payrolls submitted shall set out accurately and completely all of the information required to be maintained under subparagraph (c)(1) of this clause. This information may be submitted in any form desired. Optional Form WH-347 (Federal Stock Number 029-005-00014-1) is available for this purpose and may be purchased from the Superintendent of Documents, U.S. Government Printing Office, Washington, D.C. 20402. The Contractor is responsible for the submission of copies of payrolls by all subcontractors. (Approved by the Office of Management and Budget under OMB Control Number 1214-0149.)
- (ii) Each payroll submitted shall be accompanied by a "Statement of Compliance," signed by the Contractor or subcontractor or his or her agent who pays or supervises the payment of the persons employed under the contract and shall certify the following:
- (A) That the payroll for the payroll period contains the information required to be maintained under paragraph (c) (1) of this clause and that such information is correct and complete;
- (B) That each laborer or mechanic (including each helper, apprentice, and trainee) employed on the contract during the payroll period has been paid the full weekly wages earned, without rebate, either directly or indirectly, and that no deductions have been made either directly or indirectly from the full wages earned, other than permissible deductions as set forth in 29 CFR Part 3; and
- (C) That each laborer or mechanic has been paid not less than the applicable wage rates and fringe benefits or cash equivalents for the classification of work performed, as specified in the applicable wage determination incorporated into the contract.
- (iii) The weekly submission of a properly executed certification set forth on the reverse side of Optional Form WH-347 shall satisfy the requirements for submission of the "Statement of Compliance" required by subparagraph (c)(2)(ii) of this clause.
- (iv) The falsification of any of the above certifications may subject the Contractor or subcontractor to civil or criminal prosecution under Section 1001 of Title 18 and Section 3729 of Title 31 of the United States Code.
- (3) The Contractor or subcontractor shall make the records required under subparagraph (c)(1) available for inspection, copying, or transcription by authorized representatives of HUD or its designee, the Contracting Officer, or the Department of Labor and shall permit such representatives to interview employees during working hours on the job. If the Contractor or subcontractor fails to submit the required records or to make them available, HUD or its designee may, after written notice to the Contractor, take such action as may be necessary to cause the suspension of any further payment, advance, or guarantee of funds. Furthermore, failure to submit the required records upon request or to

make such records available may be grounds for debarment action pursuant to 29 CFR 5.12.

- (d) (1) Apprentices. Apprentices will be permitted to work at less than the predetermined rate for the work they performed when they are employed pursuant to and individually registered in a bona fide apprenticeship program registered with the U.S. Department of Labor, Employment and Training Administration, Office of Apprenticeship and Training, Employer and Labor Services (OATELS), or with a State Apprenticeship Agency recognized by OATELS, or if a person is employed in his or her first 90 days of probationary employment as an apprentice in such an apprenticeship program, who is not individually registered in the program, but who has been certified by OATELS or a State Apprenticeship Agency (where appropriate) to be eligible for probationary employment as an apprentice. The allowable ratio of apprentices to journeymen on the job site in any craft classification shall not be greater than the ratio permitted to the Contractor as to the entire work force under the registered program. Any worker listed on a payroll at an apprentice wage rate, who is not registered or otherwise employed as stated in this paragraph, shall be paid not less than the applicable wage rate on the wage determination for the classification of work actually performed. In addition, any apprentice performing work on the job site in excess of the ratio permitted under the registered program shall be paid not less than the applicable wage rate on the wage determination for the work actually performed. Where a contractor is performing construction on a project in a locality other than that in which its program is registered, the ratios and wage rates (expressed in percentages of the journeyman's hourly rate) specified in the Contractor's or subcontractor's registered program shall be observed. Every apprentice must be paid at not less than the rate specified in the registered program for the apprentice's level of progress, expressed as a percentage of the journeyman hourly rate specified in the applicable wage determination. Apprentices shall be paid fringe benefits in accordance with the provisions of the apprenticeship program. If the apprenticeship program does not specify fringe benefits, apprentices must be paid the full amount of fringe benefits listed on the wage determination for the applicable classification. If the Administrator of the Wage and Hour Division determines that a different practice prevails for the applicable apprentice classification, fringes shall be paid in accordance with that determination. In the event OATELS, or a State Apprenticeship Agency recognized by OATELS, withdraws approval of an apprenticeship program, the Contractor will no longer be permitted to utilize apprentices at less than the applicable predetermined rate for the work performed until an acceptable program is approved.
- (2) Trainees. Except as provided in 29 CFR 5.16, trainees will not be permitted to work at less than the predetermined rate for the work performed unless they are employed pursuant to and individually registered in a program which has received prior approval, evidenced by formal certification by the U.S. Department of Labor, Employment and Training Administration. The ratio of trainees to journeymen on the job site shall not be greater than permitted under

the plan approved by the Employment and Training Administration. Every trainee must be paid at not less than the rate specified in the approved program for the trainee's level of progress, expressed as a percentage of the journeyman hourly rate specified in the applicable wage determination. Trainees shall be paid fringe benefits in accordance with the provisions of the trainee program. If the trainee program does not mention fringe benefits, trainees shall be paid the full amount of fringe benefits listed in the wage determination unless the Administrator of the Wage and Hour Division determines that there is an apprenticeship program associated with the corresponding journeyman wage rate in the wage determination which provides for less than full fringe benefits for apprentices. Any employee listed on the payroll at a trainee rate who is not registered and participating in a training plan approved by the Employment and Training Administration shall be paid not less than the applicable wage rate in the wage determination for the classification of work actually performed. In addition, any trainee performing work on the job site in excess of the ratio permitted under the registered program shall be paid not less than the applicable wage rate in the wage determination for the work actually performed. In the event the Employment and Training Administration withdraws approval of a training program, the Contractor will no longer be permitted to utilize trainees at less than the applicable predetermined rate for the work performed until an acceptable program is approved.

- (3) Equal employment opportunity. The utilization of apprentices, trainees, and journeymen under this clause shall be in conformity with the equal employment opportunity requirements of Executive Order 11246, as amended, and 29 CFR Part 30.
- (e) Compliance with Copeland Act requirements. The Contractor shall comply with the requirements of 29 CFR Part 3, which are hereby incorporated by reference in this contract.
- (f) Contract termination; debarment. A breach of this contract clause may be grounds for termination of the contract and for debarment as a Contractor and a subcontractor as provided in 29 CFR 5.12.
- (g) Compliance with Davis-Bacon and related Act requirements. All rulings and interpretations of the Davis-Bacon and related Acts contained in 29 CFR Parts 1, 3, and 5 are herein incorporated by reference in this contract.
- (h) Disputes concerning labor standards. Disputes arising out of the labor standards provisions of this clause shall not be subject to the general disputes clause of this contract. Such disputes shall be resolved in accordance with the procedures of the Department of Labor set forth in 29 CFR Parts 5, 6, and 7. Disputes within the meaning of this clause include disputes between the Contractor (or any of its subcontractors) and the PHA, HUD, the U.S. Department of Labor, or the employees or their representatives.
- (i) Certification of eligibility.
 - (1) By entering into this contract, the Contractor certifies that neither it (nor he or she) nor any person or firm who has an interest in the Contractor's firm is a person or firm ineligible to be awarded contracts by the United States Government by virtue of section 3(a) of the Davis-Bacon Act or 29 CFR 5.12(a)(1).

- (2) No part of this contract shall be subcontracted to any person or firm ineligible for award of a United States Government contract by virtue of section 3(a) of the Davis-Bacon Act or 29 CFR 5.12(a)(1).
 - (3) The penalty for making false statements is prescribed in the U. S. Criminal Code, 18 U.S.C. 1001.
- (j) Contract Work Hours and Safety Standards Act. As used in this paragraph, the terms "laborers" and "mechanics" include watchmen and guards.
- (1) Overtime requirements. No contractor or subcontractor contracting for any part of the contract work which may require or involve the employment of laborers or mechanics, including watchmen and guards, shall require or permit any such laborer or mechanic in any workweek in which the individual is employed on such work to work in excess of 40 hours in such workweek unless such laborer or mechanic receives compensation at a rate not less than one and one-half times the basic rate of pay for all hours worked in excess of 40 hours in such workweek.
 - (2) Violation; liability for unpaid wages; liquidated damages. In the event of any violation of the provisions set forth in subparagraph (j)(1) of this clause, the Contractor and any subcontractor responsible therefor shall be liable for the unpaid wages. In addition, such Contractor and subcontractor shall be liable to the United States (in the case of work done under contract for the District of Columbia or a territory, to such District or to such territory), for liquidated damages. Such liquidated damages shall be computed with respect to each individual laborer or mechanic (including watchmen and guards) employed in violation of the provisions set forth in subparagraph (j)(1) of this clause, in the sum of \$10 for each calendar day on which such individual was required or permitted to work in excess of the standard workweek of 40 hours without payment of the overtime wages required by provisions set forth in subparagraph (j)(1) of this clause.
 - (3) Withholding for unpaid wages and liquidated damages. HUD or its designee shall upon its own action or upon written request of an authorized representative of the Department of Labor withhold or cause to be withheld, from any moneys payable on account of work performed by the Contractor or subcontractor under any such contract or any Federal contract with the same prime Contractor, or any other Federally-assisted contract subject to the Contract Work Hours and Safety Standards Act, which is held by the same prime Contractor, such sums as may be determined to be necessary to satisfy any liabilities of such Contractor or subcontractor for unpaid wages and liquidated damages as provided in the provisions set forth in subparagraph (j)(2) of this clause.
- (k) Subcontracts. The Contractor or subcontractor shall insert in any subcontracts all the provisions contained in this clause, and such other clauses as HUD or its designee may by appropriate instructions require, and also a clause requiring the subcontractors to include these provisions in any lower tier subcontracts. The prime Contractor shall be responsible for the compliance by any subcontractor or lower tier subcontractor with all these provisions.

"General Decision Number: GU20220001 02/25/2022

Superseded General Decision Number: GU20210001

State: Guam

Construction Types: Building, Heavy, Highway and Residential

Excludes any projects funded under the National Defense Authorization Act 2010 - Guam Realignment Fund - Defense Policy Review

County: Guam Statewide.

BUILDING, HEAVY, HIGHWAY AND RESIDENTIAL

Note: Contracts subject to the Davis-Bacon Act are generally required to pay at least the applicable minimum wage rate required under Executive Order 14026. Please note that this Executive Order applies to covered contracts entered into by the federal government that are subject to the Davis-Bacon Act itself, but does not apply to contracts subject only to the Davis-Bacon Related Acts, including those set forth at 29 CFR 5.1(a)(2)-(60).

If the contract is entered into on or after January 30, 2022, or the contract is renewed or extended (e.g., an option is exercised) on or after January 30, 2022:	. Executive Order 14026 generally applies to the contract.
	. The contractor must pay all covered workers at least \$15.00 per hour (or the applicable wage rate listed on this wage determination, if it is higher) for all hours spent performing on the contract in 2022.

The applicable Executive Order minimum wage rate will be adjusted annually. If this contract is covered by one of the Executive Orders and a classification considered necessary for performance of work on the contract does not appear on this wage determination, the contractor must still submit a conformance request.

Additional information on contractor requirements and worker protections under the Executive Orders is available at <https://www.dol.gov/agencies/whd/government-contracts>.

Modification Number	Publication Date
0	01/07/2022
1	02/25/2022

* SUGU2020-001 03/05/2020

	Rates	Fringes
CARPENTER.....	\$ 15.48	
CEMENT MASON.....	\$ 14.92	**

ELECTRICIAN.....	\$ 18.52
Heavy Equipment Mechanic.....	\$ 18.32
Heavy Equipment Operator.....	\$ 16.58
IRONWORKER, REINFORCING.....	\$ 15.61
IRONWORKER, STRUCTURAL.....	\$ 14.90 **
PAINTER.....	\$ 12.86 **
PIPEFITTER.....	\$ 16.52
PLASTERER.....	\$ 22.89
PLUMBER.....	\$ 16.52
REFRIGERATION MECHANIC (including Heating, Air Conditioning (HVAC) Mechanic work).....	\$ 18.43
SHEET METAL WORKER.....	\$ 16.73

WELDERS - Receive rate prescribed for craft performing operation to which welding is incidental.

=====
** Workers in this classification may be entitled to a higher minimum wage under Executive Order 14026 (\$15.00). Please see the Note at the top of the wage determination for more information.

Unlisted classifications needed for work not included within the scope of the classifications listed may be added after award only as provided in the labor standards contract clauses (29CFR 5.5 (a) (1) (ii)).

The body of each wage determination lists the classification and wage rates that have been found to be prevailing for the cited type(s) of construction in the area covered by the wage determination. The classifications are listed in alphabetical order of ""identifiers"" that indicate whether the particular rate is a union rate (current union negotiated rate for local), a survey rate (weighted average rate) or a union average rate (weighted union average rate).

Union Rate Identifiers

A four letter classification abbreviation identifier enclosed in dotted lines beginning with characters other than ""SU"" or ""UAVG"" denotes that the union classification and rate were prevailing for that classification in the survey. Example: PLUM0198-005 07/01/2014. PLUM is an abbreviation identifier of the union which prevailed in the survey for this classification, which in this example would be Plumbers. 0198 indicates the local union number or district council number

where applicable, i.e., Plumbers Local 0198. The next number, 005 in the example, is an internal number used in processing the wage determination. 07/01/2014 is the effective date of the most current negotiated rate, which in this example is July 1, 2014.

Union prevailing wage rates are updated to reflect all rate changes in the collective bargaining agreement (CBA) governing this classification and rate.

Survey Rate Identifiers

Classifications listed under the "SU" identifier indicate that no one rate prevailed for this classification in the survey and the published rate is derived by computing a weighted average rate based on all the rates reported in the survey for that classification. As this weighted average rate includes all rates reported in the survey, it may include both union and non-union rates. Example: SULA2012-007 5/13/2014. SU indicates the rates are survey rates based on a weighted average calculation of rates and are not majority rates. LA indicates the State of Louisiana. 2012 is the year of survey on which these classifications and rates are based. The next number, 007 in the example, is an internal number used in producing the wage determination. 5/13/2014 indicates the survey completion date for the classifications and rates under that identifier.

Survey wage rates are not updated and remain in effect until a new survey is conducted.

Union Average Rate Identifiers

Classification(s) listed under the UAVG identifier indicate that no single majority rate prevailed for those classifications; however, 100% of the data reported for the classifications was union data. EXAMPLE: UAVG-OH-0010 08/29/2014. UAVG indicates that the rate is a weighted union average rate. OH indicates the state. The next number, 0010 in the example, is an internal number used in producing the wage determination. 08/29/2014 indicates the survey completion date for the classifications and rates under that identifier.

A UAVG rate will be updated once a year, usually in January of each year, to reflect a weighted average of the current negotiated/CBA rate of the union locals from which the rate is based.

WAGE DETERMINATION APPEALS PROCESS

1.) Has there been an initial decision in the matter? This can be:

- * an existing published wage determination
- * a survey underlying a wage determination
- * a Wage and Hour Division letter setting forth a position on a wage determination matter
- * a conformance (additional classification and rate) ruling

On survey related matters, initial contact, including requests for summaries of surveys, should be with the Wage and Hour National Office because National Office has responsibility for

the Davis-Bacon survey program. If the response from this initial contact is not satisfactory, then the process described in 2.) and 3.) should be followed.

With regard to any other matter not yet ripe for the formal process described here, initial contact should be with the Branch of Construction Wage Determinations. Write to:

Branch of Construction Wage Determinations
Wage and Hour Division
U.S. Department of Labor
200 Constitution Avenue, N.W.
Washington, DC 20210

2.) If the answer to the question in 1.) is yes, then an interested party (those affected by the action) can request review and reconsideration from the Wage and Hour Administrator (See 29 CFR Part 1.8 and 29 CFR Part 7). Write to:

Wage and Hour Administrator
U.S. Department of Labor
200 Constitution Avenue, N.W.
Washington, DC 20210

The request should be accompanied by a full statement of the interested party's position and by any information (wage payment data, project description, area practice material, etc.) that the requestor considers relevant to the issue.

3.) If the decision of the Administrator is not favorable, an interested party may appeal directly to the Administrative Review Board (formerly the Wage Appeals Board). Write to:

Administrative Review Board
U.S. Department of Labor
200 Constitution Avenue, N.W.
Washington, DC 20210

4.) All decisions by the Administrative Review Board are final.

=====

END OF GENERAL DECISIO"

Applicability

The Project or Program to which the construction work covered by this contract pertains is being assisted by the United States of America and the following Federal Labor Standards Provisions are included in this Contract pursuant to the provisions applicable to such Federal assistance.

A. 1. (i) Minimum Wages. All laborers and mechanics employed or working upon the site of the work, will be paid unconditionally and not less often than once a week, and without subsequent deduction or rebate on any account (except such payroll deductions as are permitted by regulations issued by the Secretary of Labor under the Copeland Act (29 CFR Part 3), the full amount of wages and bona fide fringe benefits (or cash equivalents thereof) due at time of payment computed at rates not less than those contained in the wage determination of the Secretary of Labor which is attached hereto and made a part hereof, regardless of any contractual relationship which may be alleged to exist between the contractor and such laborers and mechanics. Contributions made or costs reasonably anticipated for bona fide fringe benefits under Section I(b)(2) of the Davis-Bacon Act on behalf of laborers or mechanics are considered wages paid to such laborers or mechanics, subject to the provisions of 29 CFR 5.5(a)(1)(iv); also, regular contributions made or costs incurred for more than a weekly period (but not less often than quarterly) under plans, funds, or programs, which cover the particular weekly period, are deemed to be constructively made or incurred during such weekly period. Such laborers and mechanics shall be paid the appropriate wage rate and fringe benefits on the wage determination for the classification of work actually performed, without regard to skill, except as provided in 29 CFR 5.5(a)(4). Laborers or mechanics performing work in more than one classification may be compensated at the rate specified for each classification for the time actually worked therein: Provided, That the employer's payroll records accurately set forth the time spent in each classification in which work is performed. The wage determination (including any additional classification and wage rates conformed under 29 CFR 5.5(a)(1)(ii) and the Davis-Bacon poster (WH-1321) shall be posted at all times by the contractor and its subcontractors at the site of the work in a prominent and accessible, place where it can be easily seen by the workers.

(ii) (a) Any class of laborers or mechanics which is not listed in the wage determination and which is to be employed under the contract shall be classified in conformance with the wage determination. HUD shall approve an additional classification and wage rate and fringe benefits therefor only when the following criteria have been met:

(1) The work to be performed by the classification requested is not performed by a classification in the wage determination; and

(2) The classification is utilized in the area by the construction industry; and

(3) The proposed wage rate, including any bona fide fringe benefits, bears a reasonable relationship to the wage rates contained in the wage determination.

(b) If the contractor and the laborers and mechanics to be employed in the classification (if known), or their representatives, and HUD or its designee agree on the classification and wage rate (including the amount designated for fringe benefits where appropriate), a report of the action taken shall be sent by HUD or its designee to the Administrator of the Wage and Hour Division, Employment Standards Administration, U.S. Department of Labor, Washington, D.C. 20210. The Administrator, or an authorized representative, will approve, modify, or disapprove every additional classification action within 30 days of receipt and so advise HUD or its designee or will notify HUD or its designee within the 30-day period that additional time is necessary. (Approved by the Office of Management and Budget under OMB control number 1215-0140.)

(c) In the event the contractor, the laborers or mechanics to be employed in the classification or their representatives, and HUD or its designee do not agree on the proposed classification and wage rate (including the amount designated for fringe benefits, where appropriate), HUD or its designee shall refer the questions, including the views of all interested parties and the recommendation of HUD or its designee, to the Administrator for determination. The Administrator, or an authorized representative, will issue a determination within 30 days of receipt and so advise HUD or its designee or will notify HUD or its designee within the 30-day period that additional time is necessary. (Approved by the Office of Management and Budget under OMB Control Number 1215-0140.)

(d) The wage rate (including fringe benefits where appropriate) determined pursuant to subparagraphs (1)(ii)(b) or (c) of this paragraph, shall be paid to all workers performing work in the classification under this contract from the first day on which work is performed in the classification.

(iii) Whenever the minimum wage rate prescribed in the contract for a class of laborers or mechanics includes a fringe benefit which is not expressed as an hourly rate, the contractor shall either pay the benefit as stated in the wage determination or shall pay another bona fide fringe benefit or an hourly cash equivalent thereof.

(iv) If the contractor does not make payments to a trustee or other third person, the contractor may consider as part

of the wages of any laborer or mechanic the amount of any costs reasonably anticipated in providing bona fide fringe benefits under a plan or program, Provided, That the Secretary of Labor has found, upon the written request of the contractor, that the applicable standards of the Davis-Bacon Act have been met. The Secretary of Labor may require the contractor to set aside in a separate account assets for the meeting of obligations under the plan or program. (Approved by the Office of Management and Budget under OMB Control Number 1215-0140.)

2. Withholding. HUD or its designee shall upon its own action or upon written request of an authorized representative of the Department of Labor withhold or cause to be withheld from the contractor under this contract or any other Federal contract with the same prime contractor, or any other Federally-assisted contract subject to Davis-Bacon prevailing wage requirements, which is held by the same prime contractor so much of the accrued payments or advances as may be considered necessary to pay laborers and mechanics, including apprentices, trainees and helpers, employed by the contractor or any subcontractor the full amount of wages required by the contract. In the event of failure to pay any laborer or mechanic, including any apprentice, trainee or helper, employed or working on the site of the work, all or part of the wages required by the contract, HUD or its designee may, after written notice to the contractor, sponsor, applicant, or owner, take such action as may be necessary to cause the suspension of any further payment, advance, or guarantee of funds until such violations have ceased. HUD or its designee may, after written notice to the contractor, disburse such amounts withheld for and on account of the contractor or subcontractor to the respective employees to whom they are due. The Comptroller General shall make such disbursements in the case of direct Davis-Bacon Act contracts.

3. (i) Payrolls and basic records. Payrolls and basic records relating thereto shall be maintained by the contractor during the course of the work preserved for a period of three years thereafter for all laborers and mechanics working at the site of the work. Such records shall contain the name, address, and social security number of each such worker, his or her correct classification, hourly rates of wages paid (including rates of contributions or costs anticipated for bona fide fringe benefits or cash equivalents thereof of the types described in Section 1(b)(2)(B) of the Davis-bacon Act), daily and weekly number of hours worked, deductions made and actual wages paid. Whenever the Secretary of Labor has found under 29 CFR 5.5 (a)(1)(iv) that the wages of any laborer or mechanic include the amount of any costs reasonably anticipated in providing benefits under a plan or program described in Section 1(b)(2)(B) of the Davis-Bacon Act, the contractor shall maintain records which show that the commitment to provide such benefits is enforceable, that the plan or program is financially responsible, and that the plan or program has been

communicated in writing to the laborers or mechanics affected, and records which show the costs anticipated or the actual cost incurred in providing such benefits. Contractors employing apprentices or trainees under approved programs shall maintain written evidence of the registration of apprenticeship programs and certification of trainee programs, the registration of the apprentices and trainees, and the ratios and wage rates prescribed in the applicable programs. (Approved by the Office of Management and Budget under OMB Control Numbers 1215-0140 and 1215-0017.)

(ii) (a) The contractor shall submit weekly for each week in which any contract work is performed a copy of all payrolls to HUD or its designee if the agency is a party to the contract, but if the agency is not such a party, the contractor will submit the payrolls to the applicant sponsor, or owner, as the case may be, for transmission to HUD or its designee. The payrolls submitted shall set out accurately and completely all of the information required to be maintained under 29 CFR 5.5(a)(3)(i) except that full social security numbers and home addresses shall not be included on weekly transmittals. Instead the payrolls shall only need to include an individually identifying number for each employee (e.g., the last four digits of the employee's social security number). The required weekly payroll information may be submitted in any form desired. Optional Form WH-347 is available for this purpose from the Wage and Hour Division Web site at <http://www.dol.gov/esa/whd/forms/wh347instr.htm> or its successor site. The prime contractor is responsible for the submission of copies of payrolls by all subcontractors. Contractors and subcontractors shall maintain the full social security number and current address of each covered worker, and shall provide them upon request to HUD or its designee if the agency is a party to the contract, but if the agency is not such a party, the contractor will submit the payrolls to the applicant sponsor, or owner, as the case may be, for transmission to HUD or its designee, the contractor, or the Wage and Hour Division of the Department of Labor for purposes of an investigation or audit of compliance with prevailing wage requirements. It is not a violation of this subparagraph for a prime contractor to require a subcontractor to provide addresses and social security numbers to the prime contractor for its own records, without weekly submission to HUD or its designee. (Approved by the Office of Management and Budget under OMB Control Number 1215-0149.)

(b) Each payroll submitted shall be accompanied by a "Statement of Compliance," signed by the contractor or subcontractor or his or her agent who pays or supervises the payment of the persons employed under the contract and shall certify the following:

(1) That the payroll for the payroll period contains the information required to be provided under 29 CFR 5.5 (a)(3)(ii), the appropriate information is being maintained under 29 CFR 5.5(a)(3)(i), and that such information is correct and complete;

(2) That each laborer or mechanic (including each helper, apprentice, and trainee) employed on the contract during the payroll period has been paid the full weekly wages earned, without rebate, either directly or indirectly, and that no deductions have been made either directly or indirectly from the full wages earned, other than permissible deductions as set forth in 29 CFR Part 3;

(3) That each laborer or mechanic has been paid not less than the applicable wage rates and fringe benefits or cash equivalents for the classification of work performed, as specified in the applicable wage determination incorporated into the contract.

(c) The weekly submission of a properly executed certification set forth on the reverse side of Optional Form WH-347 shall satisfy the requirement for submission of the "Statement of Compliance" required by subparagraph A.3.(ii)(b).

(d) The falsification of any of the above certifications may subject the contractor or subcontractor to civil or criminal prosecution under Section 1001 of Title 18 and Section 231 of Title 31 of the United States Code.

(iii) The contractor or subcontractor shall make the records required under subparagraph A.3.(i) available for inspection, copying, or transcription by authorized representatives of HUD or its designee or the Department of Labor, and shall permit such representatives to interview employees during working hours on the job. If the contractor or subcontractor fails to submit the required records or to make them available, HUD or its designee may, after written notice to the contractor, sponsor, applicant or owner, take such action as may be necessary to cause the suspension of any further payment, advance, or guarantee of funds. Furthermore, failure to submit the required records upon request or to make such records available may be grounds for debarment action pursuant to 29 CFR 5.12.

4. Apprentices and Trainees.

(i) **Apprentices.** Apprentices will be permitted to work at less than the predetermined rate for the work they performed when they are employed pursuant to and individually registered in a bona fide apprenticeship program registered with the U.S. Department of Labor, Employment and Training Administration, Office of Apprenticeship Training, Employer and Labor Services, or with a State Apprenticeship Agency recognized by the Office, or if a person is employed in his or her first 90 days of probationary employment as an apprentice in such an apprenticeship program, who is not individually registered in the program, but who has been certified by the Office of Apprenticeship Training, Employer and Labor Services or a State Apprenticeship Agency (where appropriate) to be eligible for probationary employment as an apprentice. The allowable ratio of apprentices to journeymen on the job site in any craft classification shall not be greater than the ratio permitted to the contractor as to the entire work force under the registered program. Any worker listed on a payroll at an apprentice wage rate, who

is not registered or otherwise employed as stated above, shall be paid not less than the applicable wage rate on the wage determination for the classification of work actually performed. In addition, any apprentice performing work on the job site in excess of the ratio permitted under the registered program shall be paid not less than the applicable wage rate on the wage determination for the work actually performed. Where a contractor is performing construction on a project in a locality other than that in which its program is registered, the ratios and wage rates (expressed in percentages of the journeyman's hourly rate) specified in the contractor's or subcontractor's registered program shall be observed. Every apprentice must be paid at not less than the rate specified in the registered program for the apprentice's level of progress, expressed as a percentage of the journeymen hourly rate specified in the applicable wage determination. Apprentices shall be paid fringe benefits in accordance with the provisions of the apprenticeship program. If the apprenticeship program does not specify fringe benefits, apprentices must be paid the full amount of fringe benefits listed on the wage determination for the applicable classification. If the Administrator determines that a different practice prevails for the applicable apprentice classification, fringes shall be paid in accordance with that determination. In the event the Office of Apprenticeship Training, Employer and Labor Services, or a State Apprenticeship Agency recognized by the Office, withdraws approval of an apprenticeship program, the contractor will no longer be permitted to utilize apprentices at less than the applicable predetermined rate for the work performed until an acceptable program is approved.

(ii) **Trainees.** Except as provided in 29 CFR 5.16, trainees will not be permitted to work at less than the predetermined rate for the work performed unless they are employed pursuant to and individually registered in a program which has received prior approval, evidenced by formal certification by the U.S. Department of Labor, Employment and Training Administration. The ratio of trainees to journeymen on the job site shall not be greater than permitted under the plan approved by the Employment and Training Administration. Every trainee must be paid at not less than the rate specified in the approved program for the trainee's level of progress, expressed as a percentage of the journeyman hourly rate specified in the applicable wage determination. Trainees shall be paid fringe benefits in accordance with the provisions of the trainee program. If the trainee program does not mention fringe benefits, trainees shall be paid the full amount of fringe benefits listed on the wage determination unless the Administrator of the Wage and Hour Division determines that there is an apprenticeship program associated with the corresponding journeyman wage rate on the wage determination which provides for less than full fringe benefits for apprentices. Any employee listed on the payroll at a trainee rate who is not registered and participating in a training plan approved by

the Employment and Training Administration shall be paid not less than the applicable wage rate on the wage determination for the work actually performed. In addition, any trainee performing work on the job site in excess of the ratio permitted under the registered program shall be paid not less than the applicable wage rate on the wage determination for the work actually performed. In the event the Employment and Training Administration withdraws approval of a training program, the contractor will no longer be permitted to utilize trainees at less than the applicable predetermined rate for the work performed until an acceptable program is approved.

(iii) Equal employment opportunity. The utilization of apprentices, trainees and journeymen under 29 CFR Part 5 shall be in conformity with the equal employment opportunity requirements of Executive Order 11246, as amended, and 29 CFR Part 30.

5. Compliance with Copeland Act requirements. The contractor shall comply with the requirements of 29 CFR Part 3 which are incorporated by reference in this contract

6. Subcontracts. The contractor or subcontractor will insert in any subcontracts the clauses contained in subparagraphs 1 through 11 in this paragraph A and such other clauses as HUD or its designee may by appropriate instructions require, and a copy of the applicable prevailing wage decision, and also a clause requiring the subcontractors to include these clauses in any lower tier subcontracts. The prime contractor shall be responsible for the compliance by any subcontractor or lower tier subcontractor with all the contract clauses in this paragraph.

7. Contract termination; debarment. A breach of the contract clauses in 29 CFR 5.5 may be grounds for termination of the contract and for debarment as a contractor and a subcontractor as provided in 29 CFR 5.12.

8. Compliance with Davis-Bacon and Related Act Requirements. All rulings and interpretations of the Davis-Bacon and Related Acts contained in 29 CFR Parts 1, 3, and 5 are herein incorporated by reference in this contract

9. Disputes concerning labor standards. Disputes arising out of the labor standards provisions of this contract shall not be subject to the general disputes clause of this contract. Such disputes shall be resolved in accordance with the procedures of the Department of Labor set forth in 29 CFR Parts 5, 6, and 7. Disputes within the meaning of this clause include disputes between the contractor (or any of its subcontractors) and HUD or its designee, the U.S. Department of Labor, or the employees or their representatives.

10. (i) Certification of Eligibility. By entering into this contract the contractor certifies that neither it (nor he or she) nor any person or firm who has an interest in the contractor's firm is a person or firm ineligible to be awarded Government contracts by virtue of Section 3(a) of the Davis-Bacon Act or 29 CFR 5.12(a)(1) or to be

awarded HUD contracts or participate in HUD programs pursuant to 24 CFR Part 24.

(ii) No part of this contract shall be subcontracted to any person or firm ineligible for award of a Government contract by virtue of Section 3(a) of the Davis-Bacon Act or 29 CFR 5.12(a)(1) or to be awarded HUD contracts or participate in HUD programs pursuant to 24 CFR Part 24.

(iii) The penalty for making false statements is prescribed in the U.S. Criminal Code, 18 U.S.C. 1001. Additionally, U.S. Criminal Code, Section 1 01 0, Title 18, U.S.C., "Federal Housing Administration transactions", provides in part: "Whoever, for the purpose of . . . influencing in any way the action of such Administration..... makes, utters or publishes any statement knowing the same to be false..... shall be fined not more than \$5,000 or imprisoned not more than two years, or both."

11. Complaints, Proceedings, or Testimony by Employees. No laborer or mechanic to whom the wage, salary, or other labor standards provisions of this Contract are applicable shall be discharged or in any other manner discriminated against by the Contractor or any subcontractor because such employee has filed any complaint or instituted or caused to be instituted any proceeding or has testified or is about to testify in any proceeding under or relating to the labor standards applicable under this Contract to his employer.

B. Contract Work Hours and Safety Standards Act. The provisions of this paragraph B are applicable where the amount of the prime contract exceeds \$100,000. As used in this paragraph, the terms "laborers" and "mechanics" include watchmen and guards.

(1) Overtime requirements. No contractor or subcontractor contracting for any part of the contract work which may require or involve the employment of laborers or mechanics shall require or permit any such laborer or mechanic in any workweek in which the individual is employed on such work to work in excess of 40 hours in such workweek unless such laborer or mechanic receives compensation at a rate not less than one and one-half times the basic rate of pay for all hours worked in excess of 40 hours in such workweek.

(2) Violation; liability for unpaid wages; liquidated damages. In the event of any violation of the clause set forth in subparagraph (1) of this paragraph, the contractor and any subcontractor responsible therefor shall be liable for the unpaid wages. In addition, such contractor and subcontractor shall be liable to the United States (in the case of work done under contract for the District of Columbia or a territory, to such District or to such territory), for liquidated damages. Such liquidated damages shall be computed with respect to each individual laborer or mechanic, including watchmen and guards, employed in violation of the clause set forth in subparagraph (1) of this paragraph, in the sum of \$10 for each calendar day on which such individual was required or permitted to work in excess of the standard workweek of 40 hours without payment of the overtime wages required by the clause set forth in subparagraph (1) of this paragraph.

(3) Withholding for unpaid wages and liquidated damages. HUD or its designee shall upon its own action or upon written request of an authorized representative of the Department of Labor withhold or cause to be withheld, from any moneys payable on account of work performed by the contractor or subcontractor under any such contract or any other Federal contract with the same prime contract, or any other Federally-assisted contract subject to the Contract Work Hours and Safety Standards Act which is held by the same prime contractor such sums as may be determined to be necessary to satisfy any liabilities of such contractor or subcontractor for unpaid wages and liquidated damages as provided in the clause set forth in subparagraph (2) of this paragraph.

(4) Subcontracts. The contractor or subcontractor shall insert in any subcontracts the clauses set forth in subparagraph (1) through (4) of this paragraph and also a clause requiring the subcontractors to include these clauses in any lower tier subcontracts. The prime contractor shall be responsible for compliance by any subcontractor or lower tier subcontractor with the clauses set forth in subparagraphs (1) through (4) of this paragraph.

C. Health and Safety. The provisions of this paragraph C are applicable where the amount of the prime contract exceeds \$100,000.

(1) No laborer or mechanic shall be required to work in surroundings or under working conditions which are unsanitary, hazardous, or dangerous to his health and safety as determined under construction safety and health standards promulgated by the Secretary of Labor by regulation.

(2) The Contractor shall comply with all regulations issued by the Secretary of Labor pursuant to Title 29 Part 1926 and failure to comply may result in imposition of sanctions pursuant to the Contract Work Hours and Safety Standards Act, (Public Law 91-54, 83 Stat 96). 40 USC 3701 et seq.

(3) The contractor shall include the provisions of this paragraph in every subcontract so that such provisions will be binding on each subcontractor. The contractor shall take such action with respect to any subcontractor as the Secretary of Housing and Urban Development or the Secretary of Labor shall direct as a means of enforcing such provisions.

Bid Information

IFB Number GHURA-06-06-2022-AMP4 (RE-BID)		Submit bid to: GHURA 117 Bien Venida Ave. Sinajana, Guam 96926 Contract: Sonny Perez, 475-1404 or email sperez@ghura.org Michael Recuyal, 475-1318 or email msrecuyal@ghura.org
Bid Opening Date: June 21, 2022	Bid Opening Time: 2:00pm	
Project Title: Drainage Correction GH250 Toto Gardens		
Project Description: Design and Construction of Drainage Correction		
Contract Completion Time: See Special Conditions		
Amount of Liquidated Damages: \$150.00 per day		

Bidder's Information

Name of Company	FEIN
	Bidder's Telephone Number
Bidder's Address	Bidder's Fax Number
	Name of Person Submitting the Bid
	Title of Person Submitting the Bid

Bidder's Acknowledgments

This is to acknowledge that an authorized representative(s) of the above named company has familiarized himself/herself/themselves with the local conditions affecting the cost of the work, all instructions, General and Supplemental Conditions, Contractor's compliance and reporting requirements, the specifications, drawings, and addenda.

GHURA requires a minimum acceptance period of 60 calendar days "Acceptance period," as used in this provision, means the number of calendar days available to GHURA for awarding a contract from the date specified in this solicitation for receipt of bids. **GHURA reserves the option, depending on the availability of funds to award a contract to the lowest responsive bidders submitting the lowest bid on Base Bid Item No. 1 . A bid make be submitted for either or both bid items**

By the submission of this bid, the bidder certifies that neither it nor any person or firm who has an interest in the bidder's firm is a person or firm ineligible to be awarded contracts by the United States Government by virtue of section 3(a) of the Davis-Bacon Act or 29 CFR 5.12(a)(1).
 In submitting this bid, it is understood that the right is reserved by GHURA to reject any and all bids.

Acknowledgment of Addenda The bidder acknowledges the following addenda: (Failure to acknowledge may cause bid rejection.)

Addenda No.	Addenda Date	Addenda No.	Addenda Date

Required Submissions

To be responsive, the bidder must submit the following documents in a sealed envelope marked on its face with the correct bidding information with his/her bid:

Form HUD-5369-a , Representations, Certifications, and Other Statements of Bidders AG form 002 , Disclosing ownership & Commission AG form 003 , Affidavit re Non-Collusion AG form 004 , Affidavit re No Gratuities or Kickbacks AG form 005 , Affidavit re Ethical Standards AG form 007 -Affidavit re Contingent Fees Form GHURA 01B , Section 3 Preference Certification completed and certified OR marked NA if the bidder is not claiming Section 3 preference.	Form GHURA 09 , Law to be observed GHURA 010 , Bidder's Qualifications including a Financial Statement and a certificate of authority to do business in Guam Form GHURA 013 , Bidder's Section 3 Commitment Form GHURA 014 , Bid Form Form GHURA 016 , Bid Bond and Certificates Contractor's License Acknowledged copies of any and all Addenda
--	---

GHURA shall reject a bid as non-responsive and bid that does not include each of the above documents, fully completed and properly executed.

Base Bid Item No.1

The bidder hereby proposes to furnish all labor, materials, equipment and services required to complete the design and construction contract as per the requirements of the design and specification documents for the drainage correction located in Toto Gardens all in accordance therewith, for the sum of:

_____ DOLLARS

(\$ _____)

The bidder hereby proposes to furnish all labor, materials, equipment and services required to complete the design and construction contract as per the requirements of the design and specification documents for the drainage correction located in Toto Gardens all in accordance therewith, for the sum of:

_____ DOLLARS

(\$ _____)

A breakdown is required for each item description as noted below

Item #	Item Description	Estimated Quantity	Unit		Unit Bid Price
			Measure	Price	
	Base Bid No 1				
					\$
					\$
					\$
					\$
					\$
					\$
					\$
					\$
					\$
					\$
					\$
The bidder may continue by copying and attaching this section to the Bid Form.					
Sum of all cost extensions are included in the base bid					\$

Additive Bid Items

GHURA does not require an additive bid for this proposal. To offer a bid the bidder is requested to breakout the following items from the base bid. Each item shall include all labor, materials, equipment and services required to complete

Item #	Item Description	Item Bid

Individual Bidder

<p>Trading and doing business as</p> <p>If fictitious trade name is employed in the conduct of business, insert such name and complete, as appropriate. This foregoing fictitious or trade name <input type="checkbox"/> is <input type="checkbox"/> is not a been registered under Guam Law.</p>	<p>Bidder's Signature</p> <p>_____</p> <p>Date</p> <p>_____</p>
<p>Name of person submitting the bid</p>	<p>Witness</p> <p>Witness Name _____</p> <p>Witness Signature _____</p> <p>Date _____</p>
<p>Business address</p>	

Partnership Bidder

<p>Name of Partnership</p> <p>If fictitious trade name is employed in the conduct of business, insert such name and complete, as appropriate. This foregoing fictitious or trade name <input type="checkbox"/> is <input type="checkbox"/> is not a been registered under Guam Law.</p>	<p>Bidder's Signature _____</p> <p>Date _____</p>
<p>Name of person submitting the bid</p>	<p>Witness</p> <p>Witness Name _____</p> <p>Witness Signature _____</p> <p>Date _____</p>
<p>Business address</p>	

Corporate Bidder

Name of Corporation	Corporate's Signature _____ Title _____ Date _____
Name of person submitting the bid	Certificate as to Corporate Principle I, _____,
Business address	certify that I am the Secretary of the corporation named as Principal in the within bond: That _____ _____ , who signed the bond on behalf of the Principal, was then of said corporation; that I know his signature, and his signature thereto is genuine; and that said bond was duly signed, sealed, and attested to for and I behalf of said corporation by authority of its governing body. _____ (Corporate Seal)

BID BOND

KNOW ALL MEN BY THESE PRESENTS, that we the undersigned _____

(Name of Principal)

as PRINCIPAL, and

SURETY

are held and firmly bound unto Guam Housing and Urban Renewal Authority, hereinafter called "GHURA", in the penal sum of _____

Dollars, (_____), lawful money of the United States, for the payment of which sum will and truly be made, we bind ourselves, our heirs, executors, administrators and successors, jointly and severally, firmly by these presents.

THE CONDITION OF THIS OBLIGATION IS SUCH, that whereas, the Principal has submitted the accompanying bid, dated the _____, 20____, for the _____

NOW THEREFORE, if the principal shall not withdraw said bond within the period specified therein after the opening of the same, or, if no period be specified, within sixty (60) days after the said opening, and shall within ten (10) days after the prescribed forms are presented to him for signature, enter into a written contract with Guam Housing and Urban Renewal Authority in accordance with the bid as accepted, and give bond with good and sufficient surety or sureties, as may be required, for the faithful performance and proper fulfillment of such contract; or in the event of the withdrawal of said bid within the period specified, or time specified, if the principal shall pay Guam Housing and Urban Renewal Authority, the difference between the amount specified in said bid and the amount for which Guam Housing and Urban Renewal Authority may procure the required work or supplies, or both, if the latter amount be in excess of the former, then the above obligation shall be void and of no effect, otherwise to remain in full force and virtue.

IN WITNESS WHEREOF, the above bounden parties have executed this instrument under their several seals this _____ day of _____ 20____, the name and corporate seal of each corporate party being hereto affixed and these presents duly signed by its undersigned representatives, pursuant to authority of its governing body.

ATTEST:

Sole Proprietorship

(Individual Principal Signature)

(Business Address)

(Name of Individual Principal Above)

(Seal)

ATTESTED:

Corporation

(Corporate Principal Signature)

(Business Address)

(Name of Corporate Principal Above)

(Title)

Affix Corporate Seal

ATTEST:

Surety Company

(Corporate Surety Signature)

Corporate Surety Signature)

(Business Address)

Name of Corporate Surety)

(Title)

Affix Corporate Seal

(Power of Attorney for person signing for Surety Company must be attached to the Bond)

CERTIFICATE AS TO CORPORATE PRINCIPAL

I, _____, certify that I am the _____

Secretary of the Corporation names as Principal in the within the bond; that
_____ " who signed the said bond on behalf of the

Principal was then _____ of said corporation; that I know his

signature, and his signature thereto is genuine; and that said bond was duly signed,

sealed, and attested to, for and *in* behalf of said corporation by authority of its governing

body.

(Corporate Seal)

THIS AGREEMENT MADE THIS ____ day of _____ in the year ____ by and between _____, A Corporation, Partnership or Sole Proprietorship existing under the laws of the State of _____ Guam hereinafter called the "Contractor," and the Guam Housing and Urban Renewal Authority, herein called the "GHURA."

WITNESSETH, that the Contractor and GHURA for the consideration stated herein, mutually agree as follows:

ARTICLE I

Statement of Work. The Contractor shall furnish all labor, material, equipment, and services and perform and complete all work required for the construction of Project No. GHURA-06-06-2022-AMP4 (RE-BID), in strict accordance with "Specifications" for the ,which includes all items listed in the Tale of Contents and Addenda thereto, Numbered and the drawings referred to herein, all as prepared by Architect, which said Specifications, Addenda and Drawings are incorporated herein by reference and made a part hereof.

ARTICLE II

Contract Price. GHURA shall pay the Contractor for the performance of the Contract, in current funds, subject to additions and deductions as provided in the specifications for completed work meeting the requirements of the Contract Documents, the sum of (\$ _____)

ARTICLE III

Contractor agrees that time is of the essence in the completion of the work in the time required by this contract and hereby waives any notice of putting in default for failure to complete on time.

ARTICLE IV

Contract Documents. The contract shall consist of the following component parts:

- (a) This Instrument
- (b) General Conditions
- (c) Special/supplemental Conditions
- (d) Technical Specifications
- (e) Drawings
- (f) IFB # *GHURA-06-06-2022-AMP4 (RE-BID)*
- (g) Forms
- (h) Proposal
- (l) Addendum

This instrument, together with the other documents enumerated in this ARTICLE IV, which said other documents are as fully a part of the Contract as if hereto attached or herein repeated, form the Contract. In the event that any provision of any other component part of this Contract conflicts with any provision of any other component part, the provision of the component part first enumerated in the ARTICLE IV shall govern, except as otherwise specially stated. The various provisions in Addenda shall be construed in the order of the preference of the component part of the Contract which each modifies.

IN WITNESS WHEREOF, the parties hereto have caused this Instrument to be executed in _____ three (3) original counterparts as of the day and year first above written

Form of Contract

Name: _____

Executed by: **Elizabeth F. Napoli, Acting**
Executive Director for the Guam Housing Urban
Renewal Authority

Signature: _____

Signature: _____

Title: _____

Date: _____

Company Name: _____

Date: _____

Contractor's Certification

I, _____, certify that I am the _____
_____, of the Corporation named as Contractor herein,
(Title)
and that _____, who signed the Contract on behalf of the Contractor, was
(Name of Signatory)
then the _____ of said Corporation; that said
Contract was duly signed for and in behalf of said Corporation by authority of its governing body,
and is within the scope of its corporate powers.

(Corporate Seal) _____
Signature of person affixing the Corporate Seal

Funds Certified By: _____
Controller

Date: _____

Grant No.	Project Number	Amount	



GHURA

Guahan Housing and Urban Renewal Authority
Aturidat Ginima' Yan Rinueban Siudat Guahan
117 Bien Venida Avenue, Sinajana, GU 96910
Phone: (671)477-9851 Fax: (671) 300-7565 TTY: (671) 472-3701



AMP-4 DRAINAGE CORRECTION *GHURA 250 Mongmong-Toto Maite*

PREPARED BY:
A/E DIVISION

APPROVED BY:

SONNY M. PEREZ
A/E MANAGER

SPECIAL CONDITIONS

1.0 PROJECT DESCRIPTION

1.1 OVERVIEW:

This is a "Design Build" project where the intent is to upgrade existing ponding basin and meet CNMI and Guam Stormwater Management Manual 2006 and other applicable code. This includes to install new HDPE pipe, catch basin, field inlet, drainage manhole and concrete headwall with riprap and install 6 feet high chainlink fence with 12' wide chainlink gate, regrade areas that need to divert all drainage run-off to catch basin. Professional engineer services are required to do the design and prepare documents for building permit.

Contractor shall minimize interruption to the on-going operations. Contractor shall coordinate for interruption of utility services. All other actions not involving interruption of services can be conducted during regular working hours. In the event work/project activities other than what is indicated during regular program is to occur simultaneously, contractor shall verify, coordinate and may be required to phase such work/project activities.

Contractor **MUST** meet the Construction Classifications **CLASS A (General Engineering)**
A General Engineering contractor is a contractor whose principal contracting business is in connection with fixed works requiring specialized knowledge and skill including but not limited to the following: irrigation, drainage, water power, water supply, flood control, harbors, docks and wharves, airports, sewer and sewage disposal plants and systems, bridges highways. Pipelines and other system for the transmission of petroleum and other liquid or gaseous substances, parks, recreational works, refineries, chemical plants and similar industrial plants, paving and surfacing works, and other like construction

1.2 LOCATION WORK

The project is located Kanada-Toto Loop Road and Damian St. Mongmong-Toto Maite, Guam. See attached Key Map.

2.0 PROJECT OBJECTIVES

2.1 SCOPE OF WORK: The contractor shall provide all labor, materials, equipment, permit and clearances, architectural and engineering services, transportation, supervision, and other incidental work required for the project. Other incidental work required includes any and all items and considerations necessary to ensure a complete and usable final product, including, but not limited to, the necessary design and construction considerations not specifically stated elsewhere in this statement of work. Complete and usable final product means that the completed final product is finished throughout and can be used to fully satisfy the requirements and the intended purpose of the project. Contractor shall turnover the project to the owner occupancy ready.

The work includes, but is not limited to, the following:

2.2 Administrative Works:

- Mobilization and demobilization
- Preparation of Miscellaneous contract Submittal
- Application of permits and required clearances

- Other administrative work not mentioned above but required by the basic contract
- Complete Engineering Design services, signed/stamped by a professional engineer.

3.0 TIME OF COMPLETION

The work shall commence at the time stipulated in the Notice to Proceed and shall be full completed within the time frame indicated below:

- a. Design Time: The contractor shall complete the Design with 60 calendar days upon receipt of notice to proceed. See Design and Contract requirements for details.
- b. Construction Contract Period: **360 consecutive calendar days** after building permit is issued and signed off by DPW and other government agencies.
- c. Liquidated Damages: In case of failure on part of the Contractor to complete the work within the time fixed in the Contract, or within any time extensions given thereof, the Contractor and his sureties shall be liable for and shall pay to GHURA the sum of **\$150.00** liquidated damages per calendar days of delay until the work is completed or accepted.

B. Site Inspection:

Verify the existing utilities and obstructions within the project area, to include existing primary and secondary power distribution lines, any existing utilities (water, drainage, and communications) and other obstruction that may affect the repair/replace work.

3.0 DESIGN AND CONSTRUCTION CRITERIA

3.1 SCOPE OF WORK:

CIVIL

A. Demolition Work

1. Demolished and removed existing concrete swale to prepare for stormwater drainage pipe, two (2) location of concrete headwall, portion concrete sidewalk. Contractor to verify dimension on actual condition.
2. Removed approximate 229 ft \pm of 6 feet high chainlink fence and 12 ft wide chainlink gate on preparation for new fence and new size of infiltration basin as shown on the site plan. Abandoned existing 36" dia. drainage pipe and provide cover to avoid run-off outside the property.
3. Contractor to verify exact length of existing concrete swale and chainlink fence to be demolished and removed.

B. New Work

1. Design and construct new infiltration basin for a 25-year storm considering 26 acre of property of Toto Garden, G-250 shall meet CNMI and Guam Stormwater Management Manual 2006. The assume percolate rate to use and determine the size and depth of infiltration basin is $f_c=1.042$ in/min. Provide 10 feet wide top of earth dike on the perimeter of infiltration basin to provide uniform top elevation on lower elevation. Provide hydro seeding in all affected areas. Regrade and provide structural fill which areas to field inlet and catch ponding basin.
2. Enlarged existing ponding basin and convert to infiltration basin. The size of new infiltration basin is approximately 125 ft \pm wide and 152 ft \pm long x 10 ft \pm depth. Design and construct 15" to 36" diameter or larger storm drainage PVC/HDPE pipe approximately 1440 ft \pm to replace existing concrete swale, Infiltration basin and drainage pipe size to be determine by Professional Engineer. These includes new catch basin with traffic grating, Storm drainage manhole with cover manhole, new concrete headwall with grouted riprap. Use HDPE pipe for 24" and larger drainage pipe. Provide grouted riprap on the existing drainage outlet northwest side of the existing ponding basin. See attached site plans for reference.
 - a. Provide new concrete curb near field inlet approximate length is 290 feet \pm to avoid drainage run-off overflowing on other property.
 - b. Install new approximate length of 302 feet \pm with 6 feet high galvanized chainlink fence and 12 feet wide chainlink gate for maintenance.
 - c. Regrade all portion of affected areas to receive all drainage run-off to new catch basin.
 - d. Cover or provide cap existing 36" diameter drainage outlet to avoid drainage run-off over flows outside the property.
 - e. Contractor shall meet all requirements for Erosion Control Plan as per EPA requirements and meets CNMI and Guam Stormwater Management Manual 2006.
 - f. The Contractor shall hire Professional Land surveyor that will provide topographic survey on ALL property to identify all drainage run-off, Soil engineer that will provide percolation test for the design of new infiltration basin. Professional engineer services are required to do the design and prepare documents for building permit for approval. Professional Engineer will provide design and determine the size, depth of the infiltration basin and other requirements to meet CNMI and Guam Stormwater Management Manual 2006.
3. PERMITS AND CLEARANCES: The following permits and clearances necessary for the project's executions shall be the responsibility of the contractor.

3.1 DESIGN AND CONTRACT REQUIREMENTS:

The project shall conform to latest International Building Code (IBC), CNMI and Guam Stormwater Management Manual 2006 other related applicable codes and regulations for building construction and safety to be used where applicable. Modern construction techniques maybe incorporated in the project design to obtain both quality and economy and to provide a functional, complete and usable

facility.

The contractor shall obtain a Work Clearance Request Form prior to the start of work as well as other applicable permits required being accomplished.

The contractor operation shall be limited to providing minimum disruption to facility operation and mission requirements. Applicable work contingencies plans shall be available in the event of natural disaster and other related emergencies.

The contractor operation shall be confined to the immediate vicinity of the work and shall not in any way to interfere or obstruct the ingress or egress to and from adjacent property. All existing improvements shall be protected from damage.

Progress Design Submittal Schedule:

- 60% Design Submittal: No later than 30 calendar days following construction award date. Submit five (2) hard copies of (22" x 34") ANSI D size format, specifications (included in the drawings), preliminary construction schedule and basis of design, and electronic pdf copies on two (2) CD-ROMs. Allow 7 calendar days for Government review.
- 100% Design Submittal: 20 calendar days following receipt of Government review comments on the 60% design submittal. Submit five (2) hard copies (22" x 34") ANSI D size format drawing sets, specifications (included in the drawings), preliminary construction schedule, basis of design, and submittal register; also submit electronic pdf copies on two (2) CD-ROMs. Allow 7 calendar days for Government review.
- Final Design: 10 calendar days following receipt of Government review comments on the 100% Design and notice to proceed (NTP) with Final documents. The Final documents include all documents required for the Pre-Final submission finalized. Submit three (3) hard copies (22" x 34") ANSI D size format drawing sets, specifications (included in the drawings), preliminary construction schedule, basis of design, and submittal register; also provide electronic pdf copies on two (2) CD-ROMs.

3.2 DESIGN REFERENCES:

In addition to the references included under the basic Design-Build contract, the publications listed below form a part of this work request to the extent referenced. The publications are referred to within the text by the basic designation only.

- Building Law, Title XXXII, Government Code of Guam
- International Building Code (IBC), Latest Edition
- American Concrete Institute, ACI Code, Latest Edition
- Minimum Design Loads for Building and Other Structures, ASCE-10
- National Electric Code (NEC), Latest Edition
- International Mechanical Code (IMC), Latest Edition
- International Fire Code (IFC), Latest Edition
- ASHRAE Standards and Handbook
- NFPA 72, National Fire Alarm Code, Latest Edition
- Life Safety Code, NFPA 101, Latest Edition

- Illuminating Engineering Society (IES)
- American Disability Act (ADA)
- GEPA, USEPA, CFR29
- Guam Energy Code
- Army Corp of Engineers
- 2006 CNMI/Guam Stormwater Management Manual
- All other codes, regulations, technical publications and design manuals applicable in the performance of this RFP

GOVERNMENT REVIEWING AND APPROVING AGENCIES:

1. Department of Public Works
2. Guam Environment Protection Agency
3. Department of land Management
4. Guam Power Authority
5. Guam Waterworks Authority
6. Guam Historic Preservation
7. Guam Department of Agriculture

4.0 SUBMITTALS:

In addition to the submittals required under the basic contract, submit the following:

Proposal requirements:

- Narrative of the proposal, indicating, in detail, materials considered significant for this project for technical evaluation purposes.
- Preliminary construction schedule and utility outages.
- Catalog cuts for materials considered significant for technical evaluation purposes
- Detailed cost estimate.

Submittal requirements (after award and before start of construction):

- Construction Schedule
- Activity Hazard Analysis
- Accident Prevention Plan
- Construction Quality Control Plan
- Environmental Protection Plan
- Confirmation of all environmental clearances, permits, and/or concurrence of work.
- Final construction plans and specifications

GENERAL NOTES:

- Drawing provided are preliminary drawings for Bid purpose only and shall not be use or construction document. Contractor shall obtain Registered Architect & Engineer to provide construction documents to comply with Guam Design Codes and Guides References for building permit.
- Contractor shall field verify existing site condition, dimension and scope of work prior to bidding. Contractor to notify contacting officer/engineer for any discrepancies between scope of work, actual field conditions and project intent which may interfere with this project.
- Miscellaneous items of work not indicated but which are necessary to implement the project intent of which are customarily performed shall be provided by the Contract Bidder as if fully and correctly described in the scope of work and/or drawings.
- The contractor shall coordinate and obtain all necessary clearance from all Government agencies prior to any work activity within government utility side. Damaged done by the contractor to any existing GOVGUAM utility lines shall be repaired by the contractor at no cost to the government. Repair work shall be per GOVGUAM standards and approval.
- The Contractor shall obtain and pay for the Building Permit and other permit and Governmental fees, License and Inspections necessary for property execution and completion of the work.
- Protection: Provide temporary fences, barricades, coverings, or other protection to preserve existing items indicated to remain and to prevent injury or damage to persons or property. Provide protection for adjacent properties: restore damaged work to condition existing prior to start of work.
- Cleaning up: The Contractor shall, at all times, keep the premises free from accumulations of waste materials or rubbish caused by his operations. At the completion of the work, he shall remove from site all construction materials, waste materials and rubbish from and about the sites as well.

5.0 DISPOSAL:

1. Removal and Disposal fee shall be paid by the contractor.

1. DESIGN AND CONTRACT REQUIREMENTS:

The project shall conform to latest International Building Code (IBC), other related applicable codes and regulations for building construction and safety to be used where applicable. Modern construction techniques maybe incorporated in the project design to obtain both quality and economy and to provide a functional, complete and usable facility.

The contractor shall obtain a Work Clearance Request Form prior to the start of work as well as other applicable permits required being accomplished.

The contractor operation shall be limited to providing minimum disruption to facility operation and mission requirements. Applicable work contingencies plans shall be available in the event of natural disaster and other related emergencies.

The contractor operation shall be confined to the immediate vicinity of the work and shall not in any way to interfere or obstruct the ingress or egress to and from adjacent property. All existing improvements shall be protected from damage.

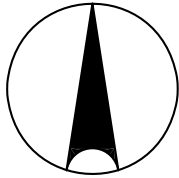
6.0 SITE SAFETY AND HEALTH OFFICER (SSHO) QUALIFICATIONS:

The SSHO for this task order shall meet the requirements in accordance with EM 385-1-1 Section 01.A17.b.

7.0 QUALITY CONTROL (QC) MANAGER QUALIFICATIONS:

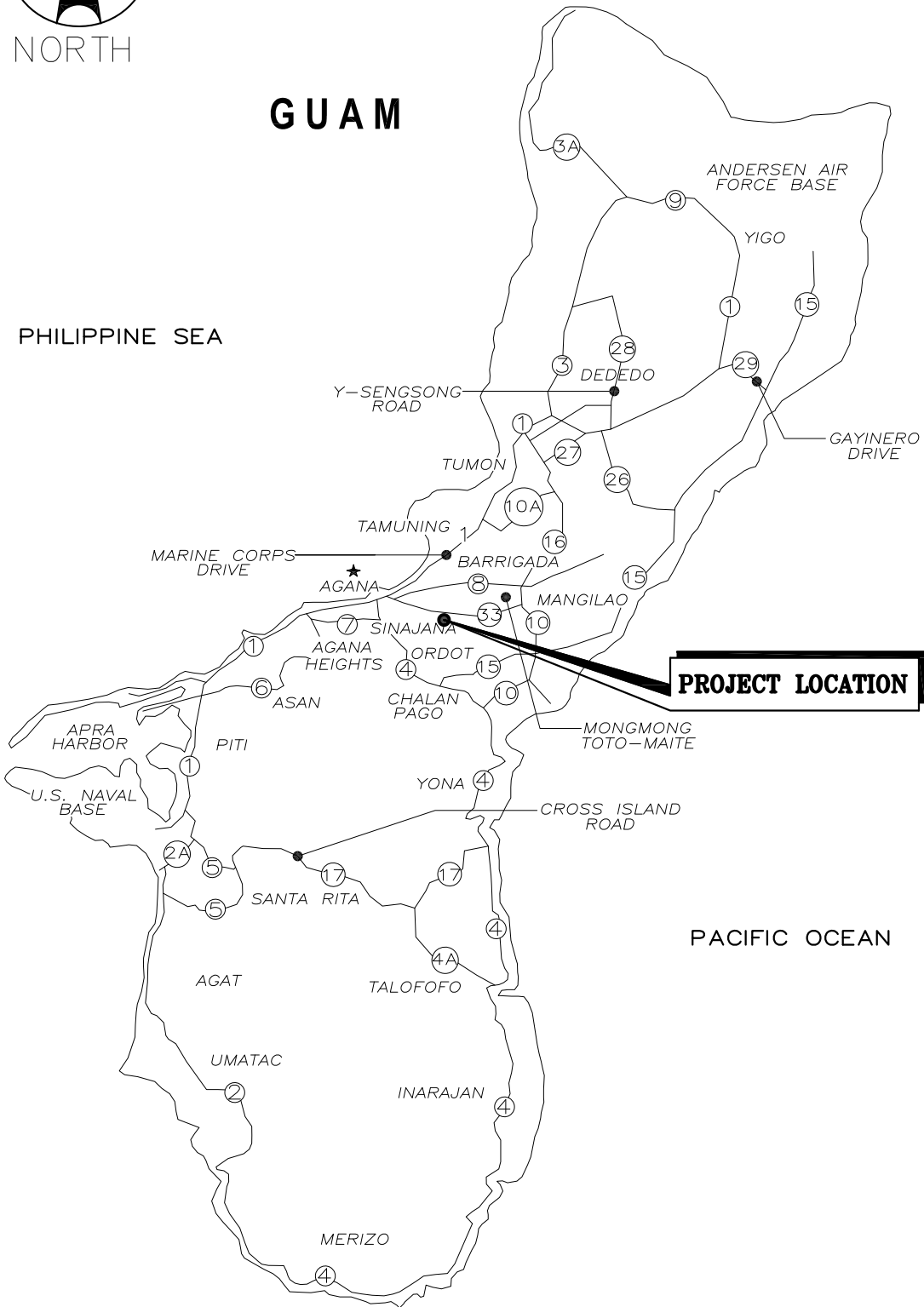
The QC Manager for this task order shall meet the requirements in accordance with the basic contract.

LOCATION MAP



NORTH

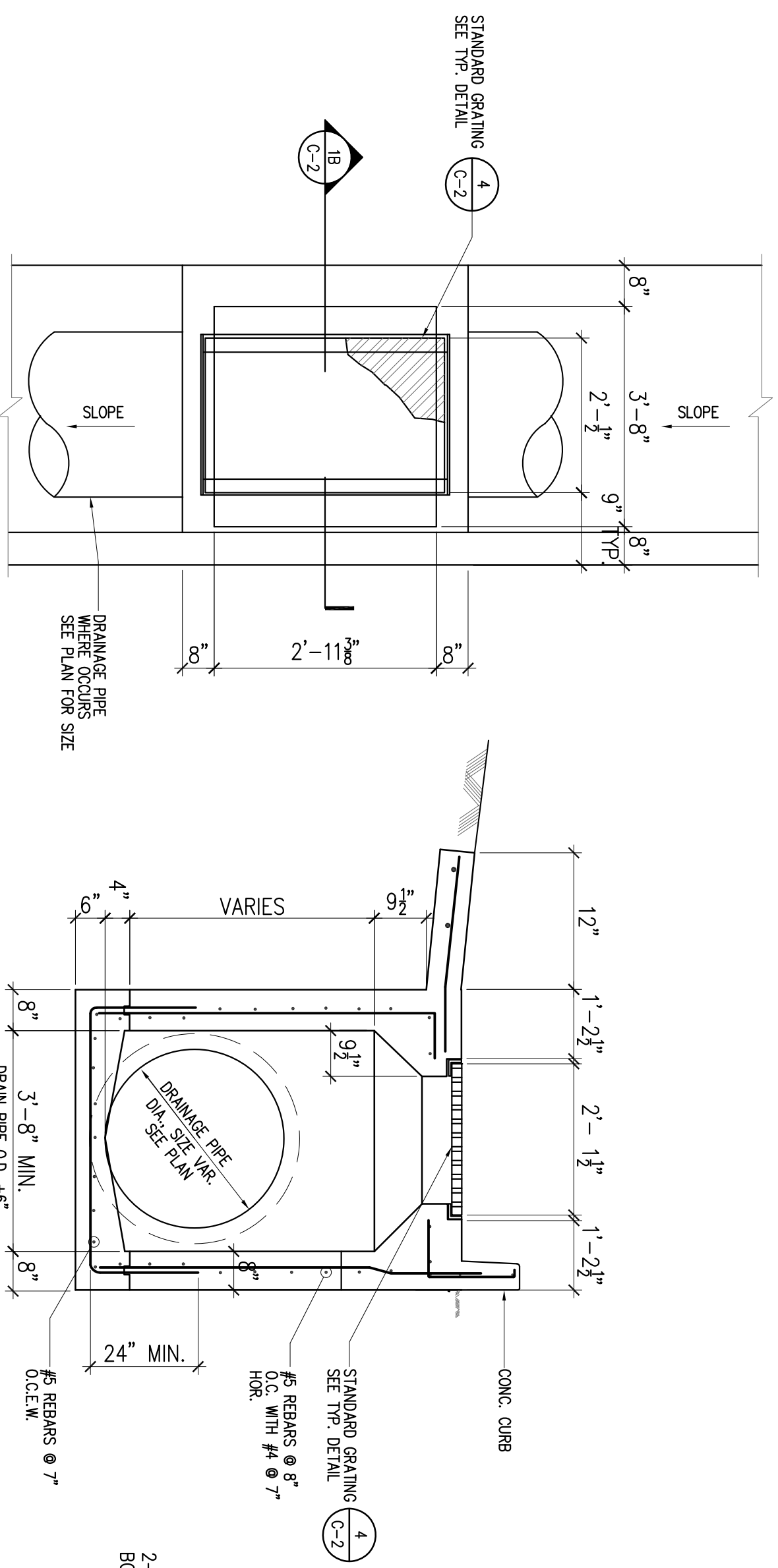
GUAM



LOCATION MAP (NOT TO SCALE)

LEGEND:

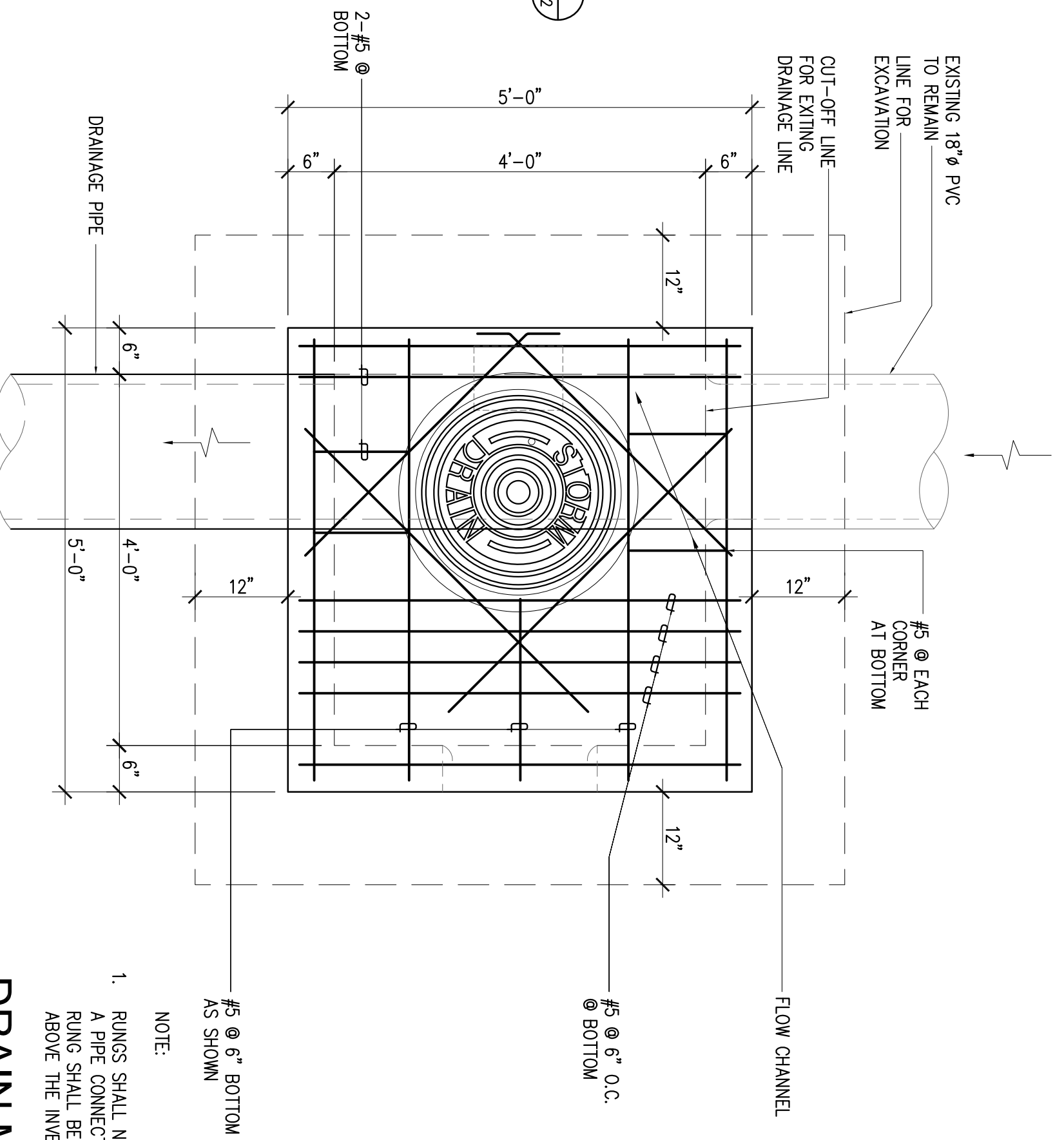
①	ROUTE NUMBER
★	CAPITAL



1A PLAN SCALE: NTS

1 CATCH BASIN SCALE: NTS

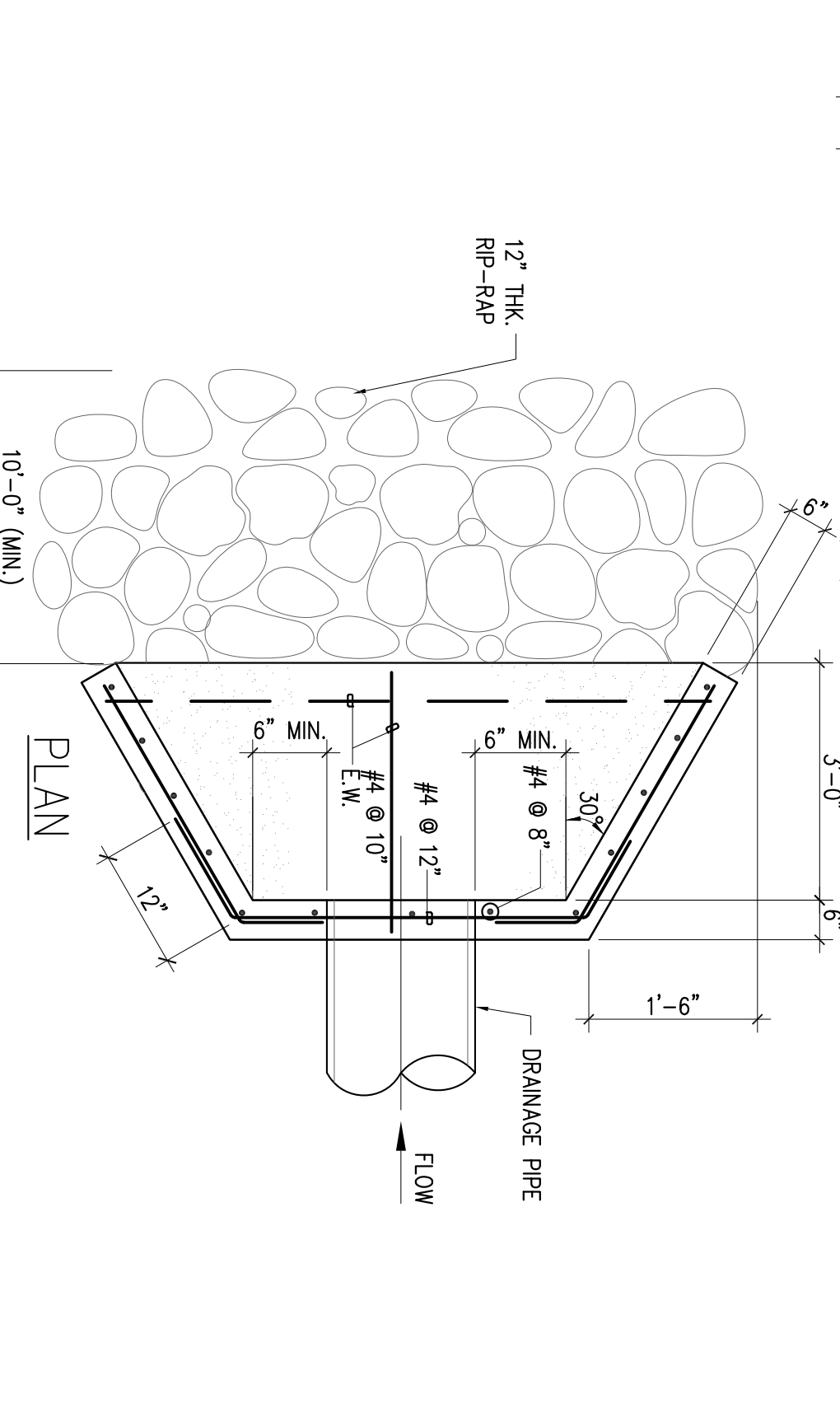
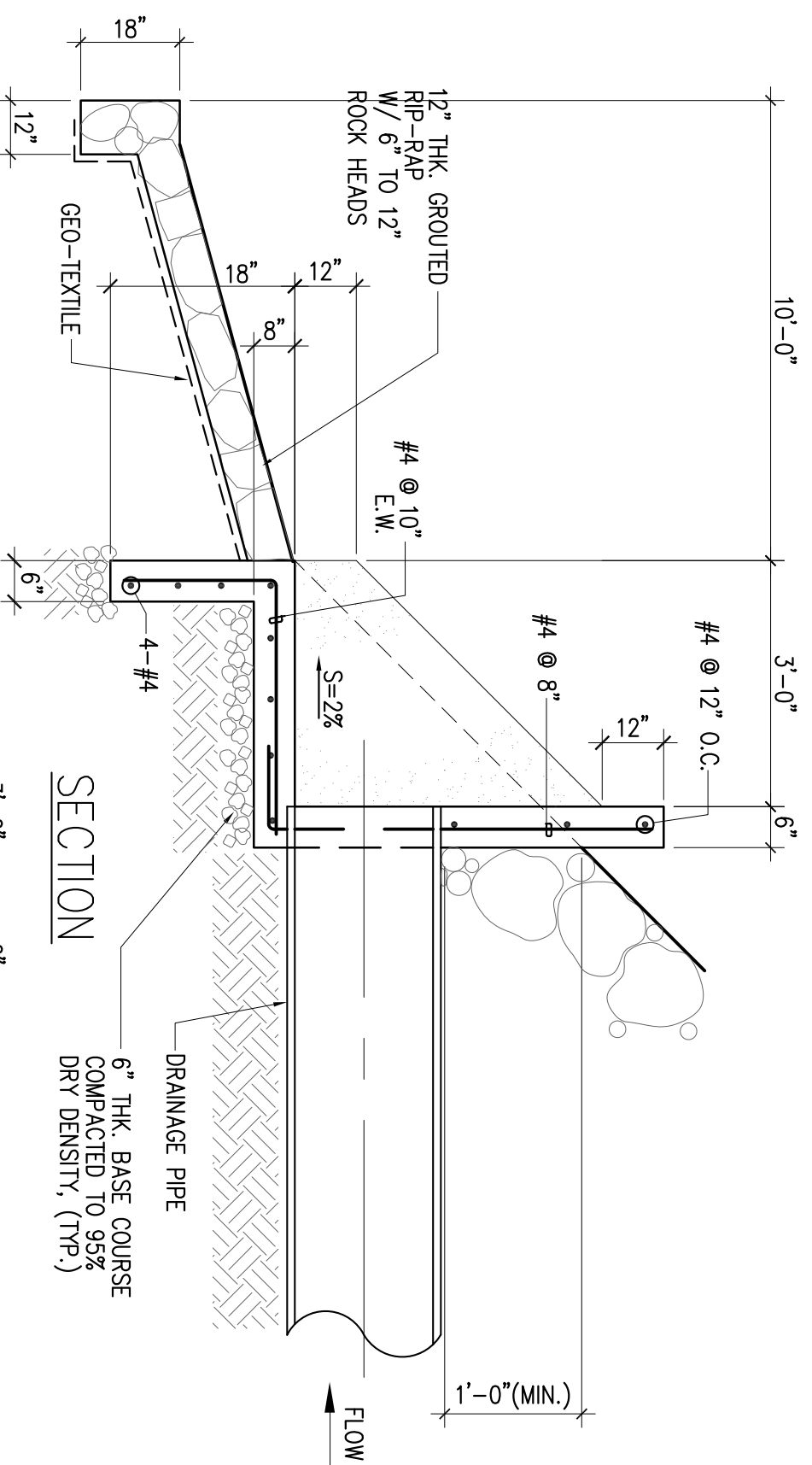
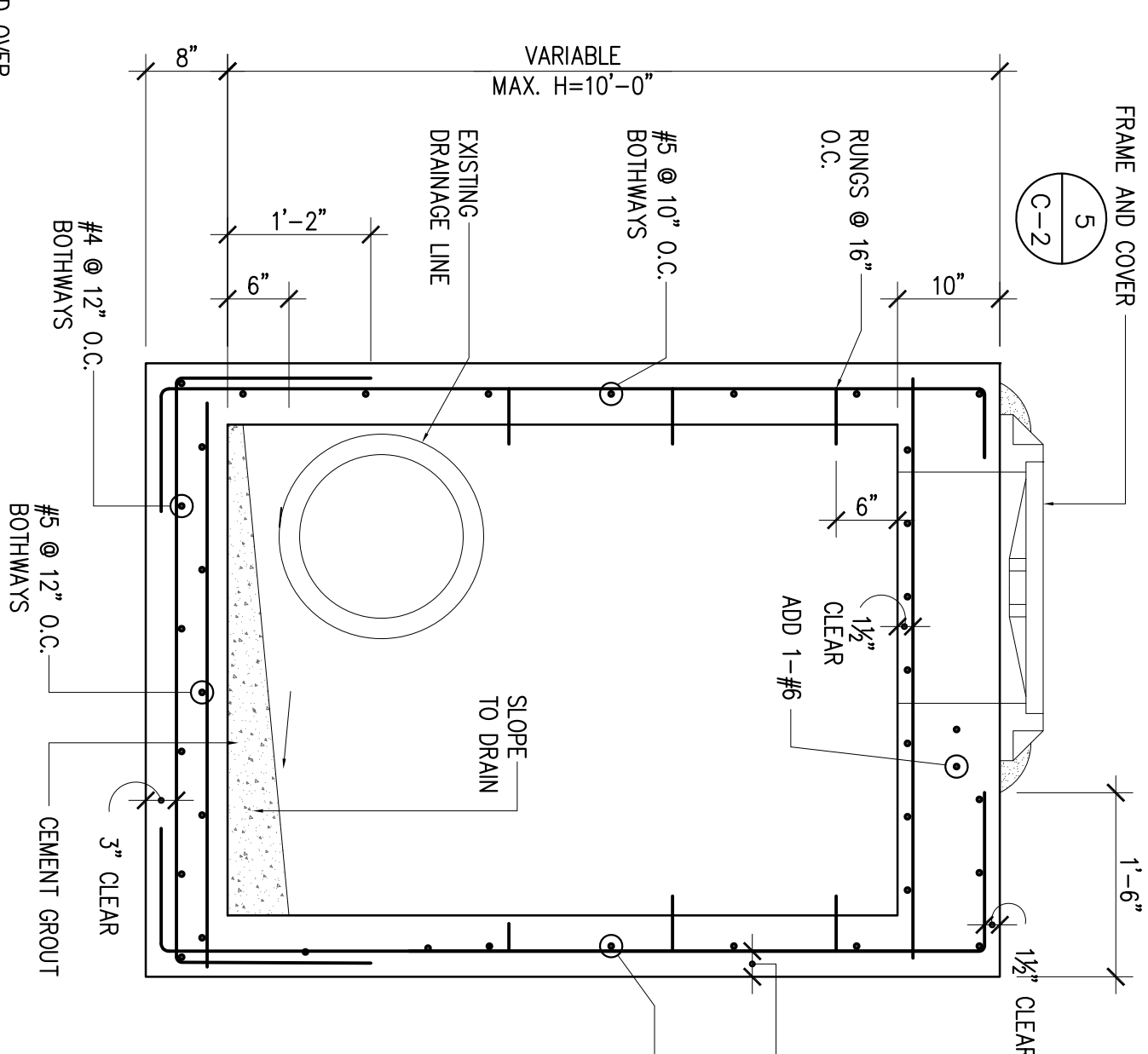
1B SECTION SCALE: NTS



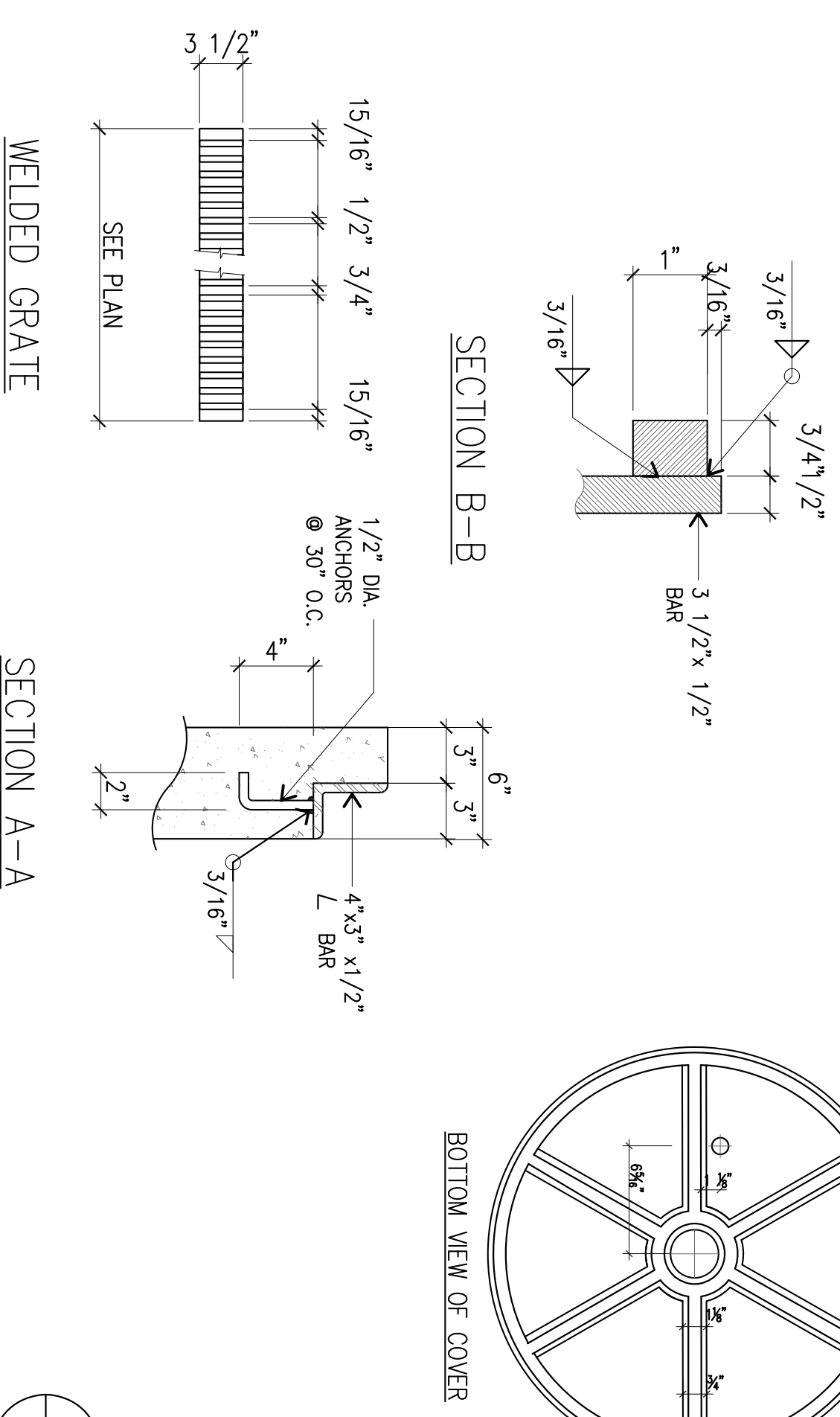
3A PLAN SCALE: NTS

3 DRAIN MANHOLE AT POINT OF CONNECTION SCALE: NTS

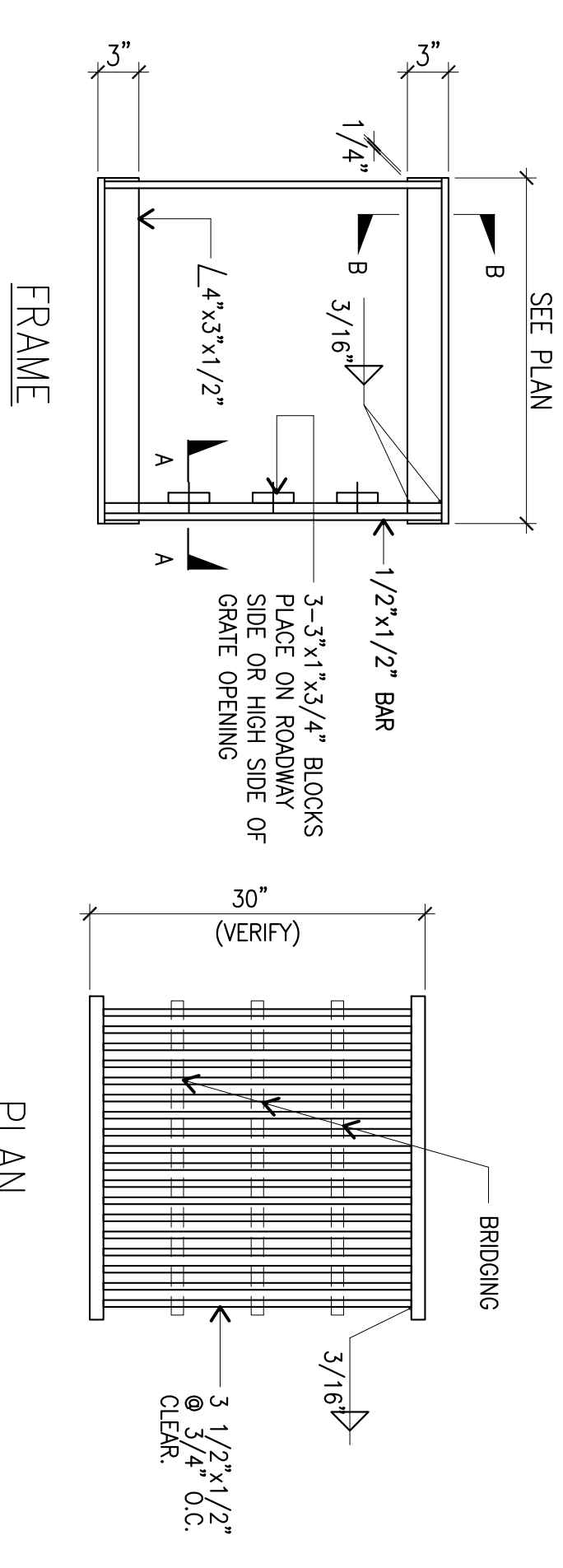
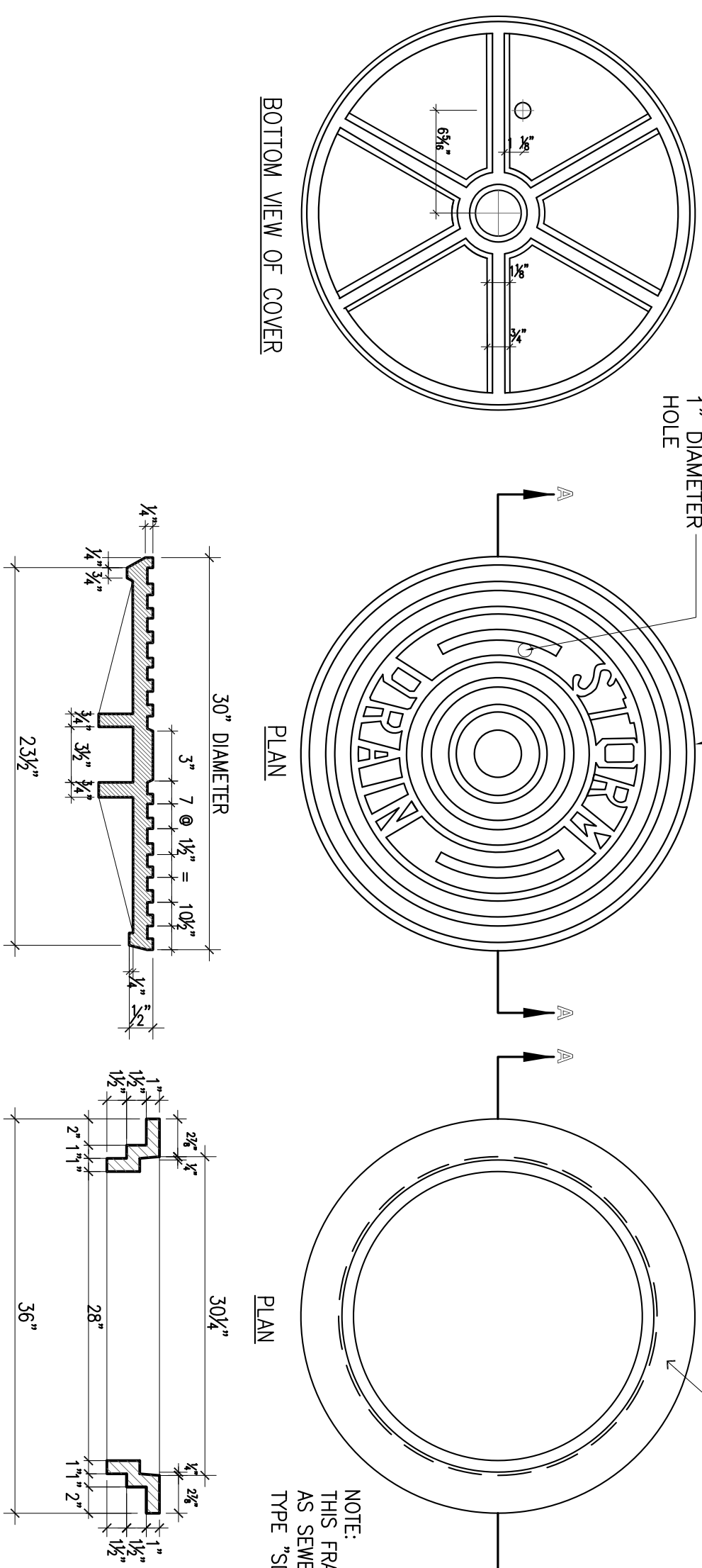
3B SECTION SCALE: NTS



2 CONCRETE HEADWALL SCALE: NTS



5 STORM DRAIN MANHOLE COVER SCALE: NTS

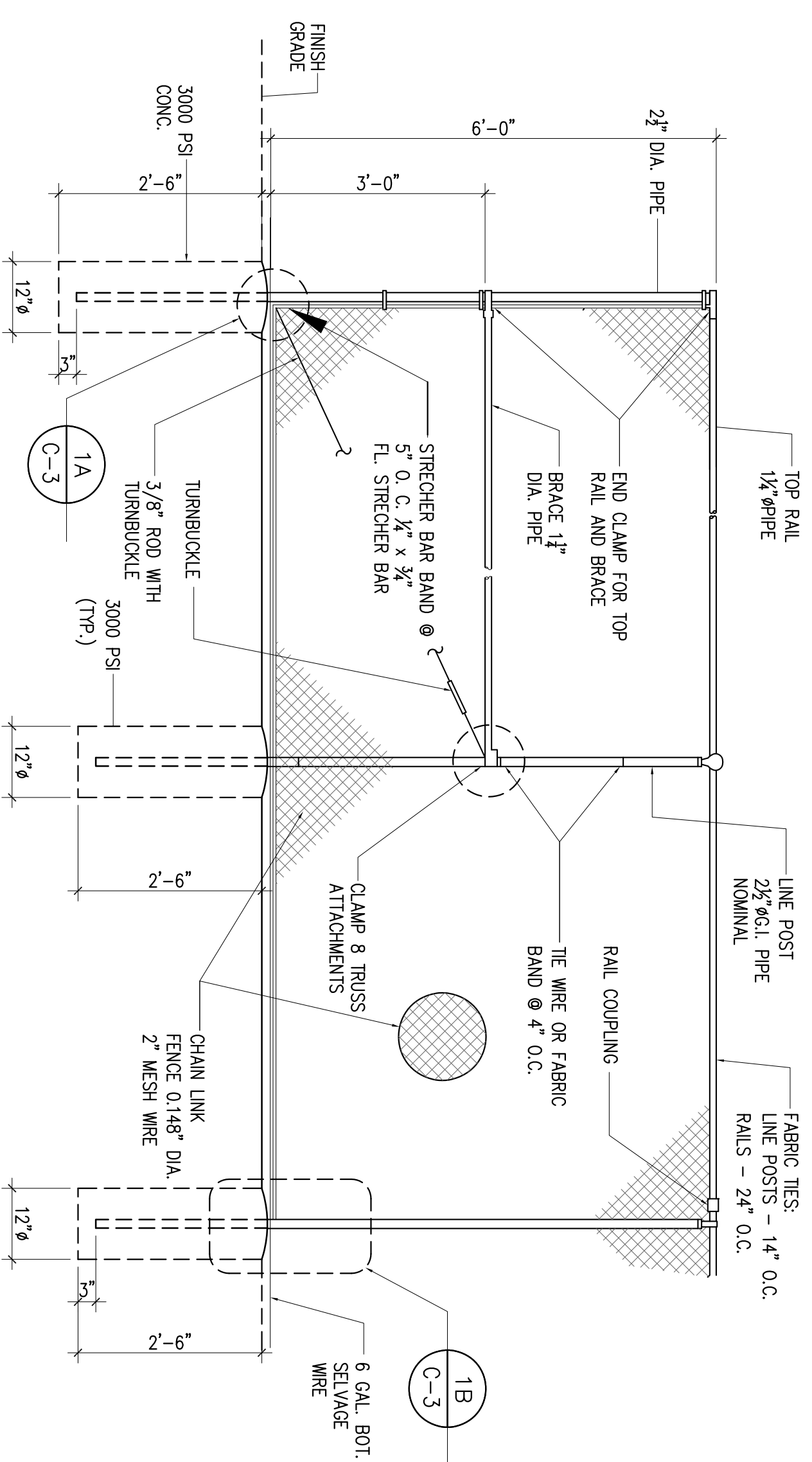


4 (TRAFFIC TYPE) FRAMING AND GRATING SCALE: NTS

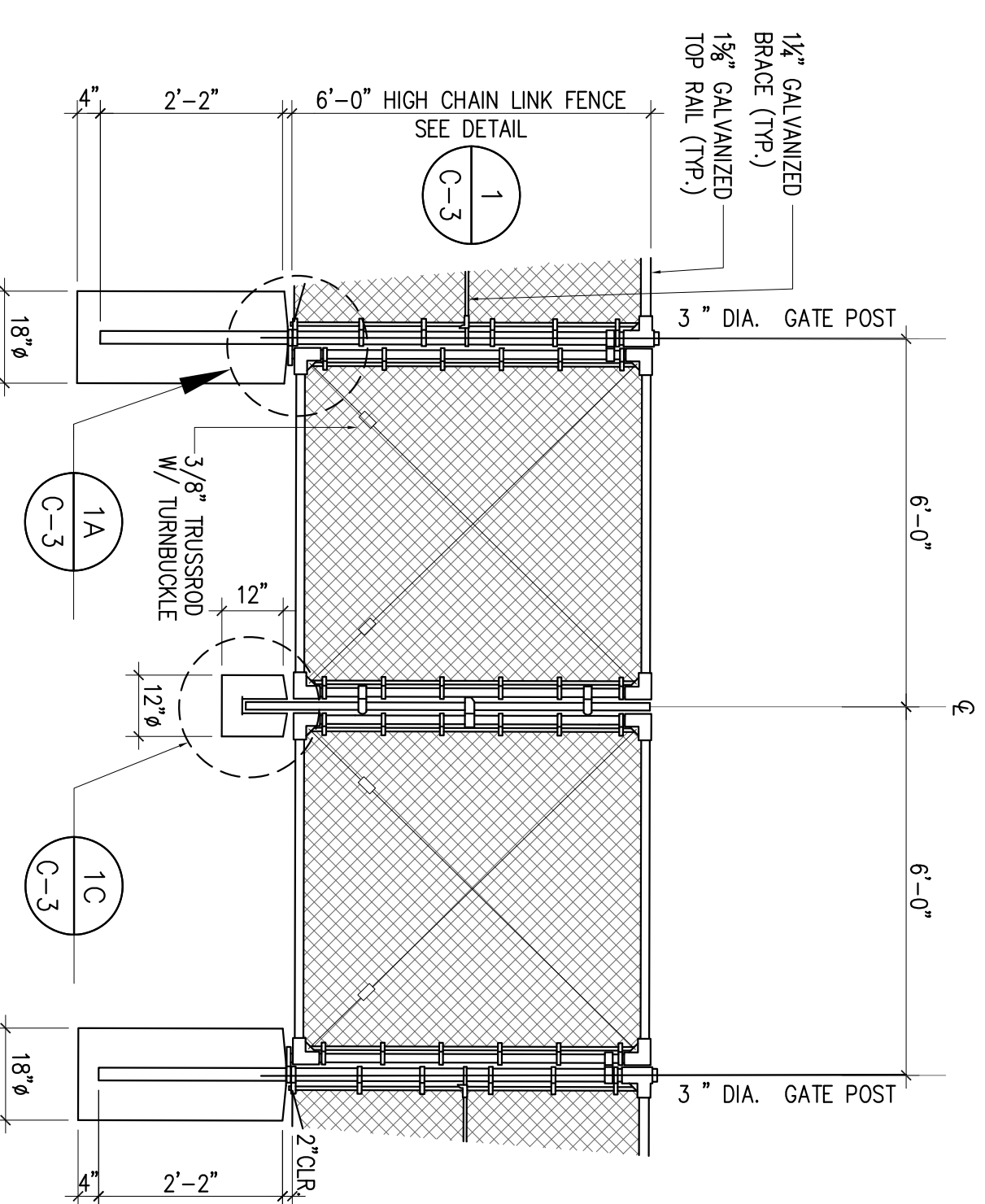
DESIGNED BY:	PROJECT AND LOCATION:	APPROVED:
DRAWN BY:	AMP-4 IMPROVEMENTS	DATE:
CHECKED BY:	DRAINAGE CORRECTION G250	DRAWER NO.:
SUPERVISED BY:	TOTO MAITE GUAM	DWG. NO.:
APPROVED BY:	ENGINEER SUPERVISOR OF DIVISION OF CIP	C-2
CONTRACTOR:	PROJECT MANAGER	SHEET 4 OF 6
DESIGN NO.:	SECTION MANAGER	
REVISION:	SCALE	
DATE:		
BY:		
DESCRIPTION:		
GUAM HOUSING & URBAN RENEWAL AUTHORITY		

SEAL

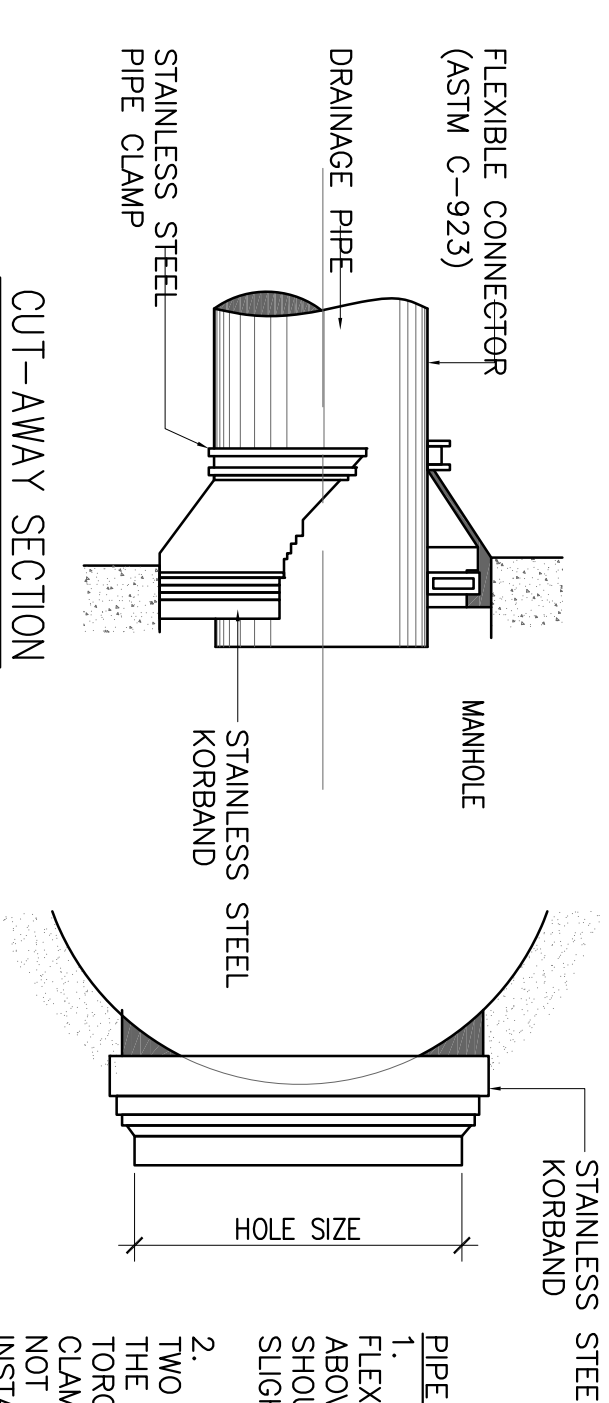
I HEREBY CERTIFY THAT THIS PLAN WAS PREPARED BY ME OR UNDER MY DIRECT SUPERVISION.



1 CHAINLINK FENCE ELEVATION
SCALE: NTS

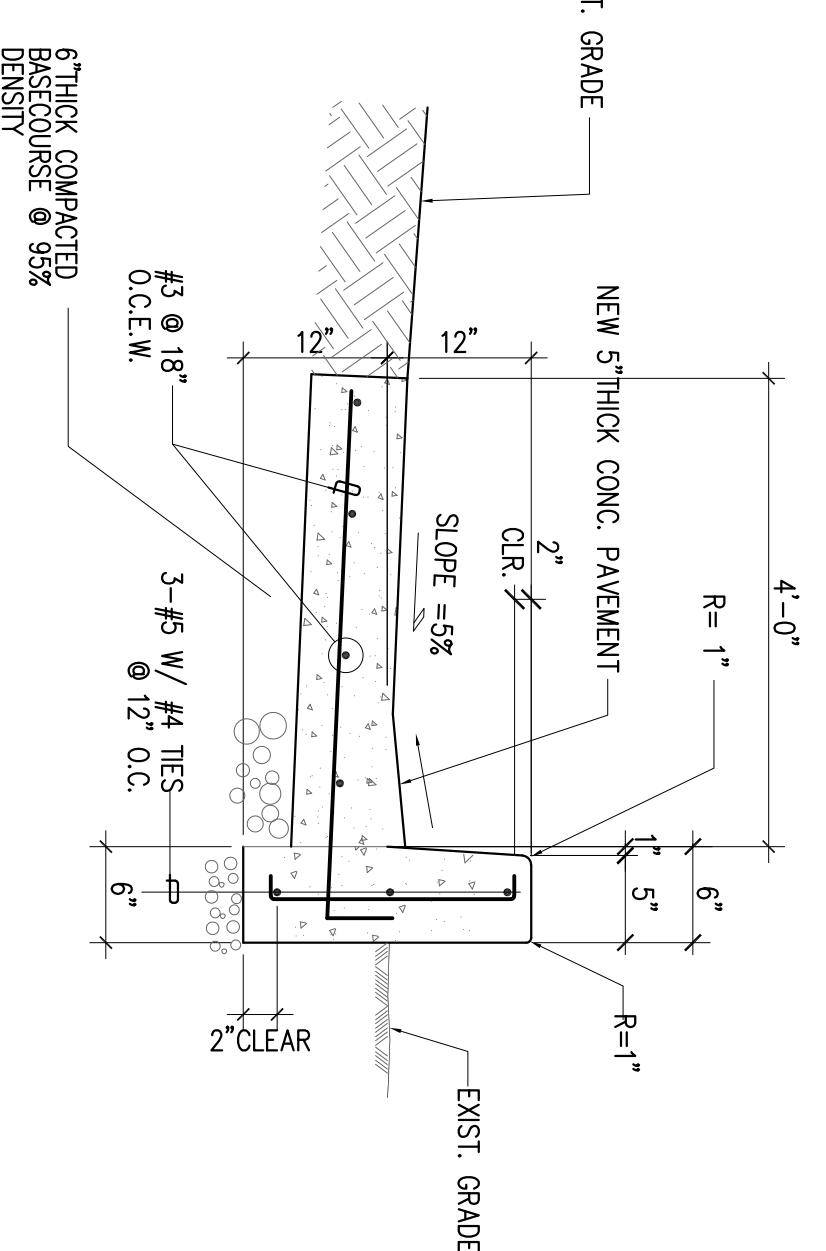


1D GATE (12'-0\"/>

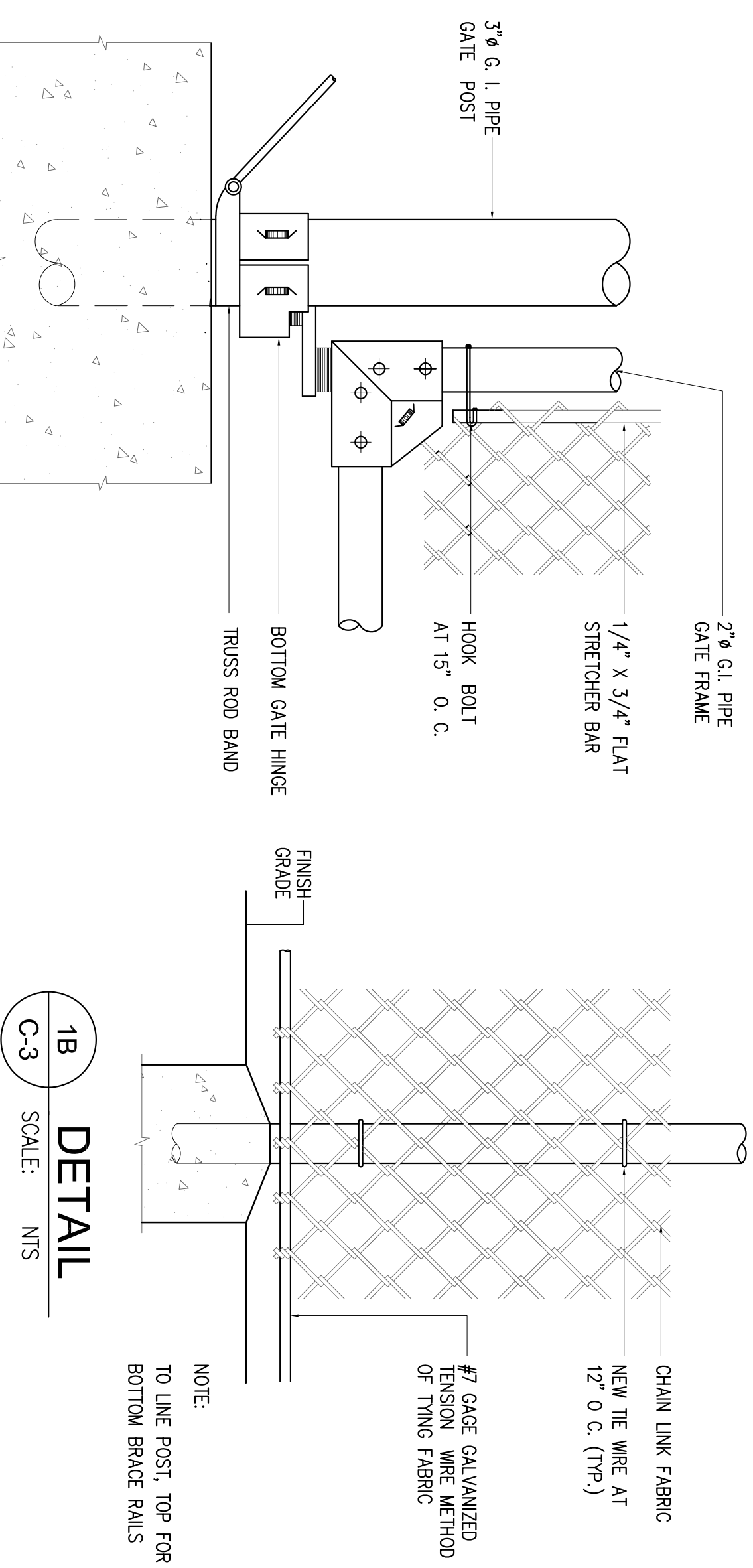


3 FLEXIBLE CONNECTOR
SCALE: NTS

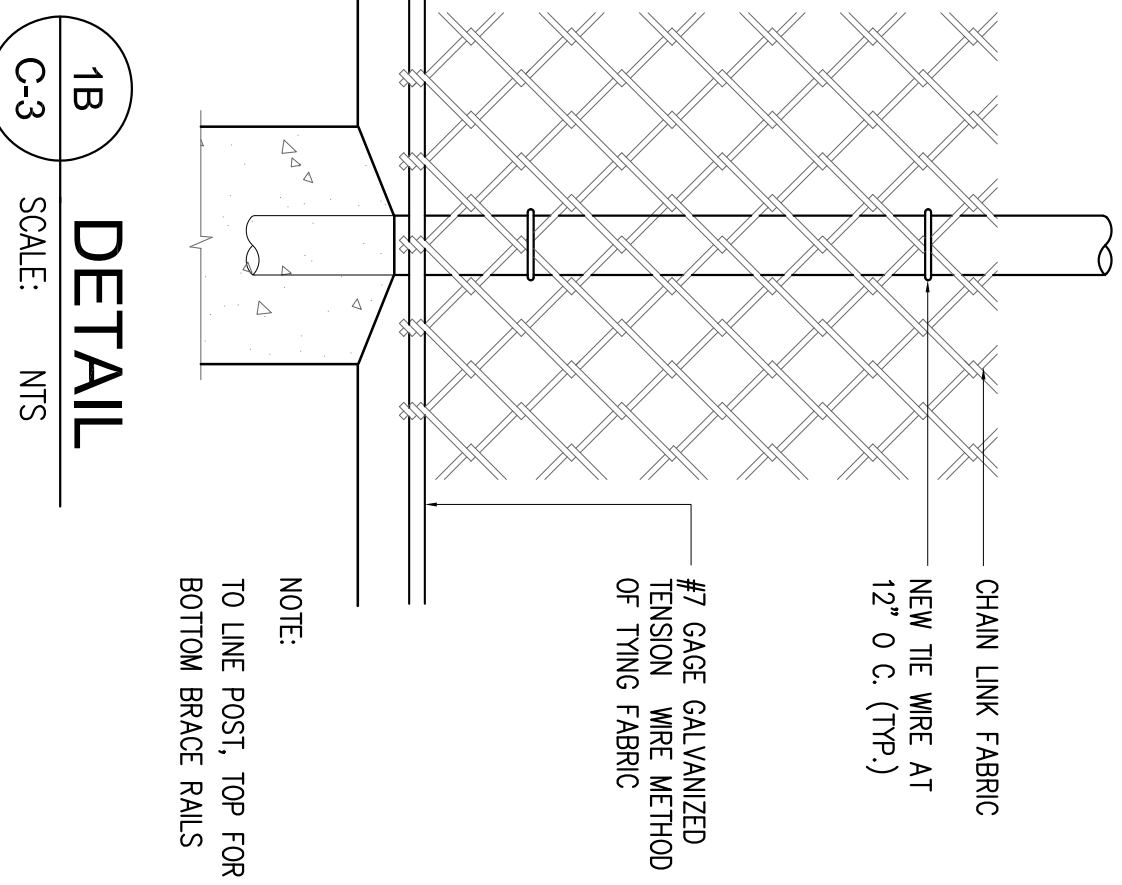
PIPE INSTALLATION PROCEDURE:
1. POSITION THE PIPE IN THE FLEXIBLE CONNECTOR AS SHOWN ABOVE. THE END OF THE PIPE SHOULD EXTEND INTO THE MANHOLE SLIGHTLY BEYOND THE INSIDE WALL.
2. PLACE THE PIPE CLAMPS INTO THE TWO GROOVES DESIGNED FOR THEM ON THE RUBBER CONNECTOR. USING THE TORQUE WRENCH, TIGHTEN THE PIPE CLAMPS TO 60 INCH-POUNDS. DO NOT USE SCREW DRIVER. WHEN INSTALLING A MINIMUM O.D. SIZE IN THE FLEXIBLE CONNECTOR, LIFT THE RUBBER FROM THE FOLDING OVER FITSLET AS THE PIPE IS TIGHTENED. RESISTAL HANDLE TORQUE WRENCHES ARE AVAILABLE FROM THE MANUFACTURER FOR TIGHTENING THE CLAMPS.



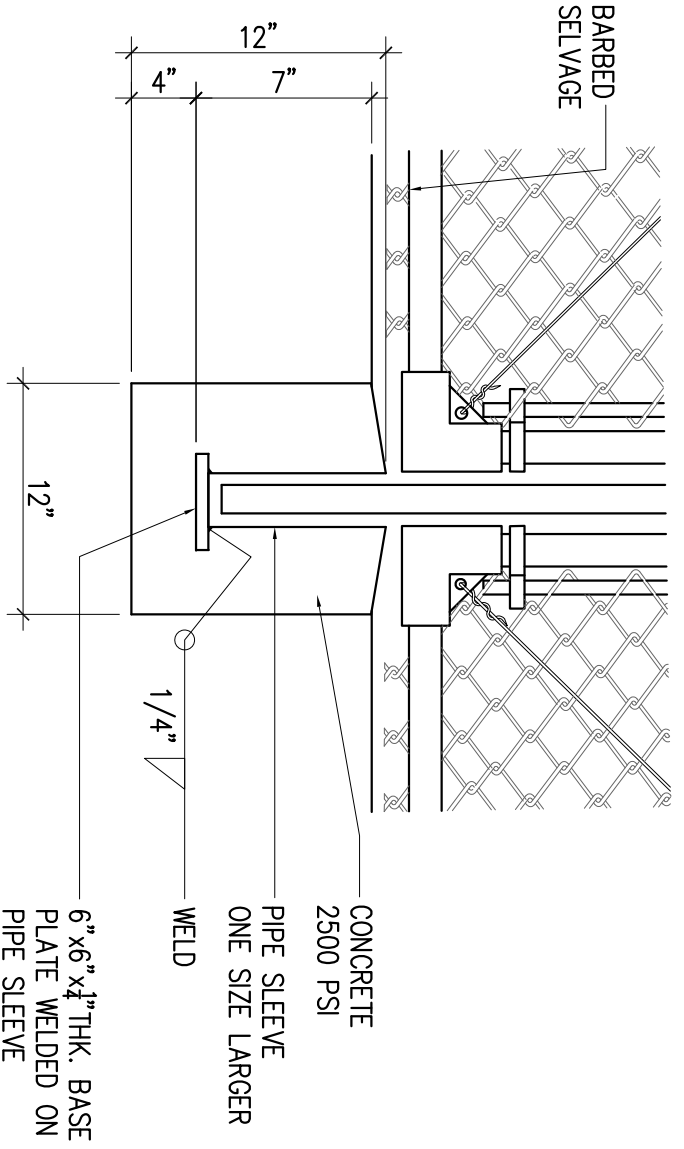
4 CONCRETE CURB
SCALE: NTS



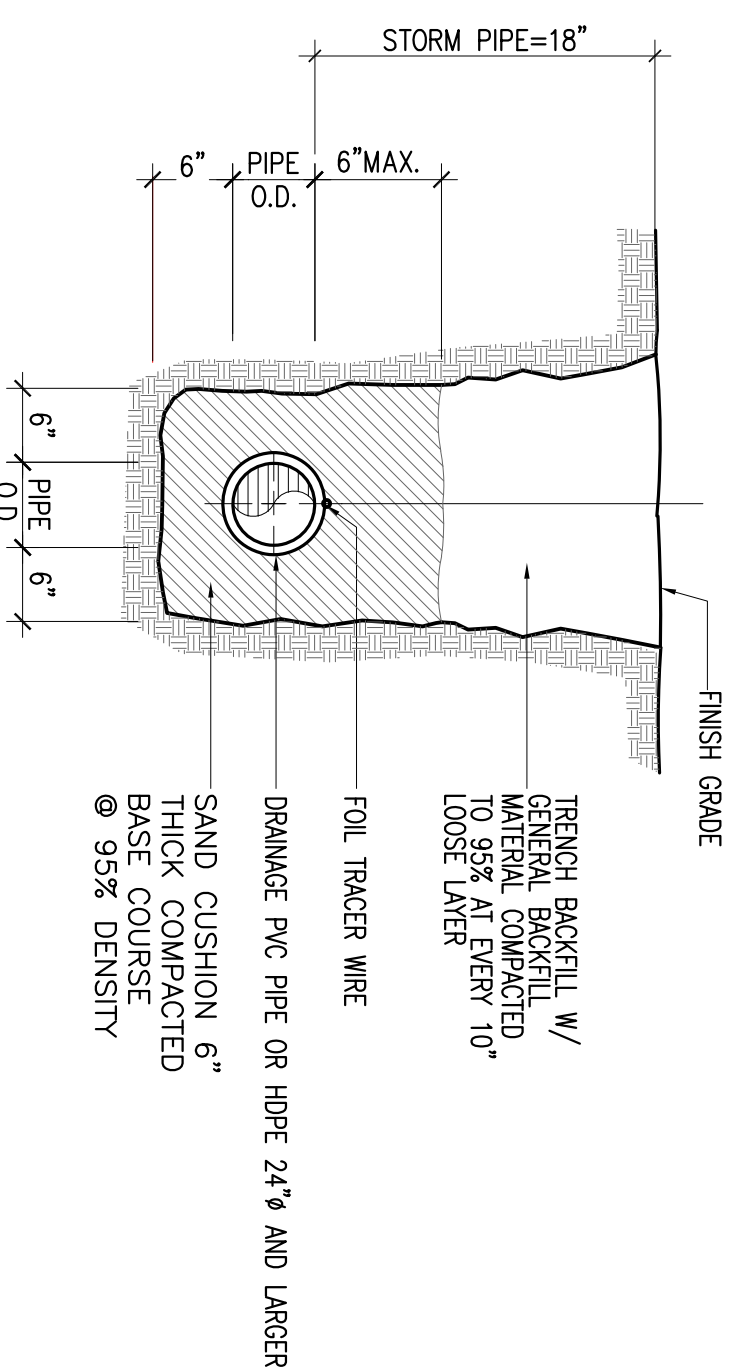
1A DETAIL
SCALE: NTS



1B DETAIL
SCALE: NTS



1C DETAIL
SCALE: NTS



2 TRENCH DETAIL
SCALE: NTS

DESIGNED BY:	PROJECT AND LOCATION:	APPROVED:
DRAWN BY:	AMP-4 IMPROVEMENTS	DATE:
CHECKED BY:	DRAINAGE CORRECTION G250	DRAWER NO.:
SUPERVISED BY:	TOTO MATE GUAM	DWG. NO.:
APPROVED BY:	ENGINEER SUPERVISOR OF DIVISION OF CIP	C-3
CONTRACTOR NO.:	GUAM HOUSING & URBAN RENEWAL AUTHORITY	SHEET 5 OF 6
SECTION MANAGER:	MISC. DETAILS	

SEAL

HEREBY CERTIFY THAT THIS PLAN WAS PREPARED BY ME OR UNDER MY DIRECT SUPERVISION.



GHURA

Guahan Housing and Urban Renewal Authority
Aturidat Ginima' Yan Rinueban Siudad Guahan
117 Bien Venida Avenue, Sinajana, GU 96910
Phone: (671)477-9851 Fax: (671) 300-7565 TTY: (671) 472-3701



SPECIFICATIONS

DRAINAGE CORRECTION G-250
TOTO GARDENS, MONG-MONG TOTO MAITE, GUAM

SECTION 033000 - CAST-IN-PLACE CONCRETE FOR CIVIL WORKS

PART 1 - GENERAL

1.1 SUMMARY

- A. Section includes cast-in-place concrete, including formwork, reinforcement, concrete materials, mixture design, placement procedures, and finishes.
- B. Related Sections:
 - 1. Section 312000 "Earth Moving" for drainage fill under slabs-on-grade.

1.2 ACTION SUBMITTALS

- A. Product Data: For each type of product indicated.
- B. Design Mixtures: For each concrete mixture.
- C. Steel Reinforcement Shop Drawings: Placing drawings that detail fabrication, bending, and placement.
- D. Formwork Shop Drawings: Prepared by or under the supervision of a qualified professional engineer detailing fabrication, assembly, and support of formwork.

1.3 INFORMATIONAL SUBMITTALS

- A. Material certificates.
- B. Material test reports.

1.4 QUALITY ASSURANCE

- A. Manufacturer Qualifications: A firm experienced in manufacturing ready-mixed concrete products and that complies with ASTM C 94 requirements for production facilities and equipment.
 - 1. Manufacturer certified according to NRMCA's "Certification of Ready Mixed Concrete Production Facilities."
- B. Testing Agency Qualifications: An independent agency qualified according to ASTM C 1077 and ASTM E 329 for testing indicated.
- C. Welding Qualifications: Qualify procedures and personnel according to AWS D1.4, "Structural Welding Code - Reinforcing Steel."

- D. ACI Publications: Comply with the following unless modified by requirements in the Contract Documents:
 - 1. ACI 301, "Specifications for Structural Concrete," Sections 1 through 5.
 - 2. ACI 117, "Specifications for Tolerances for Concrete Construction and Materials."
- E. Concrete Testing Service: Engage a qualified independent testing agency to perform material evaluation tests and to design concrete mixtures.

PART 2 - PRODUCTS

2.1 FORM-FACING MATERIALS

- A. Smooth-Formed Finished Concrete: Form-facing panels that will provide continuous, true, and smooth concrete surfaces. Furnish in largest practicable sizes to minimize number of joints.
- B. Rough-Formed Finished Concrete: Plywood, lumber, metal, or another approved material. Provide lumber dressed on at least two edges and one side for tight fit.

2.2 STEEL REINFORCEMENT

- A. Reinforcing Bars: ASTM A 615, Grade 60, deformed.
- B. Plain-Steel Welded Wire Reinforcement: ASTM A 185, plain, fabricated from as-drawn steel wire into flat sheets.
- C. Deformed-Steel Welded Wire Reinforcement: ASTM A 497, flat sheet.
- D. Galvanized-Steel Welded Wire Reinforcement: ASTM A 185, plain, fabricated from galvanized-steel wire into flat sheets.
- E. Epoxy-Coated Welded Wire Reinforcement: ASTM A 884, Class A coated, Type 1, plain steel.
- F. Bar Supports: Bolsters, chairs, spacers, and other devices for spacing, supporting, and fastening reinforcing bars and welded wire reinforcement in place. Manufacture bar supports from steel wire, plastic, or precast concrete according to CRSI's "Manual of Standard Practice."

2.3 CONCRETE MATERIALS

- A. Cementitious Material: Use the following cementitious materials, of the same type, brand, and source, throughout Project:
 - 1. Portland Cement: ASTM C 150, Type I.
 - a. Fly Ash: ASTM C 618, Class F.
- B. Normal-Weight Aggregates: ASTM C 33, graded.

1. Maximum Coarse-Aggregate Size: 3/4 inch nominal.
2. Fine Aggregate: Free of materials with deleterious reactivity to alkali in cement.

C. Water: ASTM C 94 and potable.

2.4 ADMIXTURES

A. Air-Entraining Admixture: ASTM C 260.

B. Chemical Admixtures: Provide admixtures certified by manufacturer to be compatible with other admixtures and that will not contribute water-soluble chloride ions exceeding those permitted in hardened concrete. Do not use calcium chloride or admixtures containing calcium chloride.

1. Water-Reducing Admixture: ASTM C 494, Type A.
2. Retarding Admixture: ASTM C 494, Type B.
3. Water-Reducing and Retarding Admixture: ASTM C 494, Type D.
4. High-Range, Water-Reducing Admixture: ASTM C 494, Type F.
5. High-Range, Water-Reducing and Retarding Admixture: ASTM C 494, Type G.
6. Plasticizing and Retarding Admixture: ASTM C 1017, Type II.

2.5 VAPOR RETARDERS

A. Sheet Vapor Retarder: ASTM E 1745, Class A. Include manufacturer's recommended adhesive or pressure-sensitive tape.

B. Sheet Vapor Retarder: Polyethylene sheet, ASTM D 4397, not less than 10 mils thick.

2.6 CURING MATERIALS

A. Evaporation Retarder: Waterborne, monomolecular film forming, manufactured for application to fresh concrete.

B. Absorptive Cover: AASHTO M 182, Class 2, burlap cloth made from jute or kenaf, weighing approximately 9 oz./sq. yd. when dry.

C. Moisture-Retaining Cover: ASTM C 171, polyethylene film or white burlap-polyethylene sheet.

D. Water: Potable.

E. Clear, Waterborne, Membrane-Forming Curing Compound: ASTM C 309, Type 1, Class B, dissipating.

2.7 CONCRETE MIXTURES

A. Prepare design mixtures for each type and strength of concrete, proportioned on the basis of laboratory trial mixture or field test data, or both, according to ACI 301.

- B. Cementitious Materials: Use fly ash, pozzolan, ground granulated blast-furnace slag, and silica fume as needed to reduce the total amount of portland cement, which would otherwise be used, by not less than 40 percent.
- C. Admixtures: Use admixtures according to manufacturer's written instructions.
 - 1. Use admixture in concrete, as required, for placement and workability.
 - 2. Use water-reducing and retarding admixture when required by high temperatures, low humidity, or other adverse placement conditions.
 - 3. Use water-reducing admixture in pumped concrete, concrete for heavy-use industrial slabs and parking structure slabs, concrete required to be watertight, and concrete with a water-cementitious materials ratio below 0.50.
- D. Proportion normal-weight concrete mixture as follows:
 - 1. Minimum Compressive Strength: 6000 psi and 4000 psi at 28 days. See civil drawings.
 - 2. Maximum Water-Cementitious Materials Ratio: 0.40.
 - 3. Slump Limit: 4 inches

2.8 FABRICATING REINFORCEMENT

- A. Fabricate steel reinforcement according to CRSI's "Manual of Standard Practice."

2.9 CONCRETE MIXING

- A. Ready-Mixed Concrete: Measure, batch, mix, and deliver concrete according to ASTM C 94 and ASTM C 1116, and furnish batch ticket information.
 - 1. When air temperature is between 85 and 90 deg F, reduce mixing and delivery time from 1-1/2 hours to 75 minutes; when air temperature is above 90 deg F, reduce mixing and delivery time to 60 minutes.

PART 3 - EXECUTION

3.1 FORMWORK

- A. Design, erect, shore, brace, and maintain formwork, according to ACI 301, to support vertical, lateral, static, and dynamic loads, and construction loads that might be applied, until structure can support such loads.
- B. Construct formwork so concrete members and structures are of size, shape, alignment, elevation, and position indicated, within tolerance limits of ACI 117.
- C. Chamfer as required exterior corners and edges of permanently exposed concrete.

3.2 EMBEDDED ITEMS

- A. Place and secure anchorage devices and other embedded items required for adjoining work that is attached to or supported by cast-in-place concrete. Use setting drawings, templates, diagrams, instructions, and directions furnished with items to be embedded.

3.3 VAPOR RETARDERS

- A. Sheet Vapor Retarders: Place, protect, and repair sheet vapor retarder according to ASTM E 1643 and manufacturer's written instructions.
 - 1. Lap joints 6 inches and seal with manufacturer's recommended tape.

3.4 STEEL REINFORCEMENT

- A. General: Comply with CRSI's "Manual of Standard Practice" for placing reinforcement.
 - 1. Do not cut or puncture vapor retarder. Repair damage and reseal vapor retarder before placing concrete.

3.5 JOINTS

- A. General: Construct joints true to line with faces perpendicular to surface plane of concrete.
- B. Construction Joints: Install so strength and appearance of concrete are not impaired, at locations indicated or as approved by Architect.
- C. Contraction Joints in Slabs-on-Grade: Form weakened-plane contraction joints, sectioning concrete into areas as indicated. Construct contraction joints for a depth equal to at least one-fourth of concrete thickness as follows:
 - 1. Grooved Joints: Form contraction joints after initial floating by grooving and finishing each edge of joint to a radius of 1/8 inch. Repeat grooving of contraction joints after applying surface finishes. Eliminate groover tool marks on concrete surfaces.
 - 2. Sawed Joints: Form contraction joints with power saws equipped with shatterproof abrasive or diamond-rimmed blades. Cut 1/8-inch- wide joints into concrete when cutting action will not tear, abrade, or otherwise damage surface and before concrete develops random contraction cracks.
- D. Isolation Joints in Slabs-on-Grade: After removing formwork, install joint-filler strips at slab junctions with vertical surfaces, such as column pedestals, foundation walls, grade beams, and other locations, as indicated.

3.6 CONCRETE PLACEMENT

- A. Before placing concrete, verify that installation of formwork, reinforcement, and embedded items is complete and that required inspections have been performed.

- B. Deposit concrete continuously in one layer or in horizontal layers of such thickness that no new concrete will be placed on concrete that has hardened enough to cause seams or planes of weakness. If a section cannot be placed continuously, provide construction joints as indicated. Deposit concrete to avoid segregation.

- 1. Consolidate placed concrete with mechanical vibrating equipment according to ACI 301.

- C. Hot-Weather Placement: Comply with ACI 301.

3.7 FINISHING FORMED SURFACES

- A. Rough-Formed Finish: As-cast concrete texture imparted by form-facing material with tie holes and defects repaired and patched. Remove fins and other projections that exceed specified limits on formed-surface irregularities.

- 1. Apply to concrete surfaces not exposed to public view.

- B. Smooth-Formed Finish: As-cast concrete texture imparted by form-facing material, arranged in an orderly and symmetrical manner with a minimum of seams. Repair and patch tie holes and defects. Remove fins and other projections that exceed specified limits on formed-surface irregularities.

- 1. Apply to concrete surfaces exposed to public view.

- C. Rubbed Finish: Apply the following to smooth-formed finished as-cast concrete where indicated:

- 1. Smooth-Rubbed Finish: Not later than one day after form removal, moisten concrete surfaces and rub with carborundum brick or another abrasive until producing a uniform color and texture. Do not apply cement grout other than that created by the rubbing process.
 - 2. Grout-Cleaned Finish: Wet concrete surfaces and apply grout of a consistency of thick paint to coat surfaces and fill small holes. Mix one part portland cement to one and one-half parts fine sand with a 1:1 mixture of bonding admixture and water. Add white portland cement in amounts determined by trial patches so color of dry grout will match adjacent surfaces. Scrub grout into voids and remove excess grout. When grout whitens, rub surface with clean burlap and keep surface damp by fog spray for at least 36 hours.
 - 3. Cork-Floated Finish: Wet concrete surfaces and apply a stiff grout. Mix one part portland cement and one part fine sand with a 1:1 mixture of bonding agent and water. Add white portland cement in amounts determined by trial patches so color of dry grout will match adjacent surfaces. Compress grout into voids by grinding surface. In a swirling motion, finish surface with a cork float.

- D. Related Unformed Surfaces: At tops of walls, horizontal offsets, and similar unformed surfaces adjacent to formed surfaces, strike off smooth and finish with a texture matching adjacent formed surfaces. Continue final surface treatment of formed surfaces uniformly across adjacent unformed surfaces unless otherwise indicated.

3.8 FINISHING SLABS

- A. General: Comply with ACI 302.1R recommendations for screeding, restraighening, and finishing operations for concrete surfaces. Do not wet concrete surfaces.
- B. Scratch Finish: While still plastic, texture concrete surface that has been screeded and bull-floated or darbied. Use stiff brushes, brooms, or rakes to produce a profile amplitude of 1/4 inch in one direction.
 - 1. Apply scratch finish to surfaces as indicated.
- C. Float Finish: Consolidate surface with power-driven floats or by hand floating if area is small or inaccessible to power driven floats. Restraighten, cut down high spots, and fill low spots. Repeat float passes and restraighening until surface is left with a uniform, smooth, granular texture.
 - 1. Apply float finish to surfaces as indicated.
- D. Trowel Finish: After applying float finish, apply first troweling and consolidate concrete by hand or power-driven trowel. Continue troweling passes and restraighten until surface is free of trowel marks and uniform in texture and appearance. Grind smooth any surface defects that would telegraph through applied coatings or floor coverings.
 - 1. Apply a trowel finish to surfaces as indicated.
 - 2. Finish and measure surface so gap at any point between concrete surface and an unlevelled, freestanding, 10-ft.- long straightedge resting on two high spots and placed anywhere on the surface does not exceed 1/4 inch.
- E. Trowel and Fine-Broom Finish: Apply a first trowel finish to surfaces as indicated. While concrete is still plastic, slightly scarify surface with a fine broom.
 - 1. Comply with flatness and levelness tolerances for trowel-finished floor surfaces.
- F. Broom Finish: Apply a broom finish to exterior concrete platforms, steps, ramps, and elsewhere as indicated.

3.9 CONCRETE PROTECTING AND CURING

- A. General: Protect freshly placed concrete from premature drying and excessive cold or hot temperatures. Comply with ACI 306.1 for cold-weather protection and ACI 301 for hot-weather protection during curing.
- B. Evaporation Retarder: Apply evaporation retarder to unformed concrete surfaces if hot, dry, or windy conditions cause moisture loss approaching 0.2 lb/sq. ft. x h before and during finishing operations. Apply according to manufacturer's written instructions after placing, screeding, and bull floating or darbying concrete, but before float finishing.
- C. Cure concrete according to ACI 308.1, by one or a combination of the following methods:
 - 1. Moisture Curing: Keep surfaces continuously moist for not less than seven days.

2. Moisture-Retaining-Cover Curing: Cover concrete surfaces with moisture-retaining cover for curing concrete, placed in widest practicable width, with sides and ends lapped at least 12 inches, and sealed by waterproof tape or adhesive. Cure for not less than seven days. Immediately repair any holes or tears during curing period using cover material and waterproof tape.
3. Curing Compound: Apply uniformly in continuous operation by power spray or roller according to manufacturer's written instructions. Recoat areas subjected to heavy rainfall within three hours after initial application. Maintain continuity of coating and repair damage during curing period.
 - a. Removal: After curing period has elapsed, remove curing compound without damaging concrete surfaces by method recommended by curing compound manufacturer unless manufacturer certifies curing compound will not interfere with bonding of floor covering used on Project.
4. Curing and Sealing Compound: Apply uniformly to floors and slabs indicated in a continuous operation by power spray or roller according to manufacturer's written instructions. Recoat areas subjected to heavy rainfall within three hours after initial application. Repeat process 24 hours later and apply a second coat. Maintain continuity of coating and repair damage during curing period.

3.10 CONCRETE SURFACE REPAIRS

- A. Defective Concrete: Repair and patch defective areas when approved by Architect. Remove and replace concrete that cannot be repaired and patched to Architect's approval.

3.11 FIELD QUALITY CONTROL

- A. Testing and Inspecting: Owner will engage a qualified testing and inspecting agency to perform field tests and inspections and prepare test reports.

END OF SECTION 033000

SECTION 311000 - SITE CLEARING

PART 1 - GENERAL

1.1 SUMMARY

A. Section Includes:

1. Protecting existing vegetation to remain.
2. Removing existing vegetation.
3. Clearing and grubbing.
4. Stripping and stockpiling topsoil.
5. Removing above- and below-grade site improvements.
6. Disconnecting, capping or sealing site utilities.
7. Temporary erosion- and sedimentation-control measures.

1.2 MATERIAL OWNERSHIP

- A. Except for stripped topsoil and other materials indicated to be stockpiled or otherwise remain Owner's property, cleared materials shall become Contractor's property and shall be removed from Project site.

1.3 PROJECT CONDITIONS

- A. Traffic: Minimize interference with adjoining roads, streets, walks, and other adjacent occupied or used facilities during site-clearing operations.
1. Do not close or obstruct streets, walks, or other adjacent occupied or used facilities without permission from Owner and authorities having jurisdiction.
 2. Provide alternate routes around closed or obstructed traffic ways if required by Owner or authorities having jurisdiction.
- B. Salvable Improvements: Carefully remove items indicated to be salvaged and store on Owner's premises.
- C. Utility Locator Service: Notify utility locator service for area where Project is located before site clearing.
- D. Do not commence site clearing operations until temporary erosion- and sedimentation-control and plant-protection measures are in place.
- E. The following practices are prohibited within protection zones:
1. Storage of construction materials, debris, or excavated material.
 2. Parking vehicles or equipment.
 3. Foot traffic.
 4. Erection of sheds or structures.

5. Impoundment of water.
6. Excavation or other digging unless otherwise indicated.

PART 2 - PRODUCTS

2.1 MATERIALS

- A. Satisfactory Soil Material: Requirements for satisfactory soil material are specified in Section 312000 "Earth Moving."
 1. Obtain approved borrow soil material off-site when satisfactory soil material is not available on-site.

PART 3 - EXECUTION

3.1 PREPARATION

- A. Protect and maintain benchmarks and survey control points from disturbance during construction.
- B. Locate and clearly identify trees, shrubs, and other vegetation to remain or to be relocated.
- C. Protect existing site improvements to remain from damage during construction.
 1. Restore damaged improvements to their original condition, as acceptable to Owner.

3.2 TEMPORARY EROSION AND SEDIMENTATION CONTROL

- A. Provide temporary erosion- and sedimentation-control measures to prevent soil erosion and discharge of soil-bearing water runoff or airborne dust to adjacent properties and walkways, according to erosion- and sedimentation-control Drawings and requirements of authorities having jurisdiction.
- B. Verify that flows of water redirected from construction areas or generated by construction activity do not enter or cross protection zones.
- C. Inspect, maintain, and repair erosion- and sedimentation-control measures during construction until permanent vegetation has been established.
- D. Remove erosion and sedimentation controls and restore and stabilize areas disturbed during removal.

3.3 EXISTING UTILITIES

- A. Locate, identify, disconnect, and seal or cap utilities indicated to be removed or abandoned in place.

1. Arrange with utility companies to shut off indicated utilities.

B. Interrupting Existing Utilities: Do not interrupt utilities serving facilities occupied by Owner or others unless permitted under the following conditions and then only after arranging to provide temporary utility services according to requirements indicated:

1. Notify Architect not less than two days in advance of proposed utility interruptions.
2. Do not proceed with utility interruptions without Architect's written permission.

3.4 CLEARING AND GRUBBING

A. Remove obstructions, trees, shrubs, and other vegetation to permit installation of new construction.

1. Grind down stumps and remove roots, obstructions, and debris to a depth of **18 inches** below exposed subgrade.
2. Use only hand methods for grubbing within protection zones.

B. Fill depressions caused by clearing and grubbing operations with satisfactory soil material unless further excavation or earthwork is indicated.

1. Place fill material in horizontal layers not exceeding a loose depth of **8 inches**, and compact each layer to a density equal to adjacent original ground.

3.5 TOPSOIL STRIPPING

A. Remove sod and grass before stripping topsoil.

B. Strip topsoil **depth of 6 inches or more** in a manner to prevent intermingling with underlying subsoil or other waste materials.

C. Stockpile topsoil away from edge of excavations without intermixing with subsoil. Grade and shape stockpiles to drain surface water. Cover to prevent windblown dust and erosion by water.

3.6 SITE IMPROVEMENTS

A. Remove existing above- and below-grade improvements as indicated and necessary to facilitate new construction.

3.7 DISPOSAL OF SURPLUS AND WASTE MATERIALS

A. Remove surplus soil material, unsuitable topsoil, obstructions, demolished materials, and waste materials including trash and debris, and legally dispose of them off Owner's property.

B. Separate recyclable materials produced during site clearing from other nonrecyclable materials. Store or stockpile without intermixing with other materials and transport them to recycling facilities. Do not interfere with other Project work.

END OF SECTION 311000

SECTION 312000 - EARTH MOVING

PART 1 - GENERAL

1.1 SUMMARY

A. Section Includes:

1. Preparing subgrades for walks, pavementsturf and grasses.
2. Drainage course for concrete walks.
3. Subbase course for concrete walks and pavements.
4. Subbase course and base course for asphalt paving.
5. Excavating and backfilling for utility trenches.

1.2 DEFINITIONS

A. Backfill: Soil material used to fill an excavation.

1. Initial Backfill: Backfill placed beside and over pipe in a trench, including haunches to support sides of pipe.
2. Final Backfill: Backfill placed over initial backfill to fill a trench.

B. Base Course: Aggregate layer placed between the subbase course and hot-mix asphalt paving.

C. Bedding Course: Aggregate layer placed over the excavated subgrade in a trench before laying pipe.

D. Borrow Soil: Satisfactory soil imported from off-site for use as fill or backfill.

E. Drainage Course: Aggregate layer supporting the slab-on-grade that also minimizes upward capillary flow of pore water.

F. Excavation: Removal of material encountered above subgrade elevations and to lines and dimensions indicated.

1. Authorized Additional Excavation: Excavation below subgrade elevations or beyond indicated lines and dimensions as directed by Architect. Authorized additional excavation and replacement material will be paid for according to Contract provisions for changes in the Work.
2. Unauthorized Excavation: Excavation below subgrade elevations or beyond indicated lines and dimensions without direction by Architect. Unauthorized excavation, as well as remedial work directed by Architect, shall be without additional compensation.

G. Fill: Soil materials used to raise existing grades.

H. Structures: Buildings, footings, foundations, retaining walls, slabs, tanks, curbs, mechanical and electrical appurtenances, or other man-made stationary features constructed above or below the ground surface.

- I. Subbase Course: Aggregate layer placed between the subgrade and base course for hot-mix asphalt pavement, or aggregate layer placed between the subgrade and a cement concrete pavement or a cement concrete or hot-mix asphalt walk.
- J. Subgrade: Uppermost surface of an excavation or the top surface of a fill or backfill immediately below subbase, drainage fill, drainage course, or topsoil materials.
- K. Utilities: On-site underground pipes, conduits, ducts, and cables, as well as underground services within buildings.

1.3 PROJECT CONDITIONS

- A. Utility Locator Service: Notify utility locator service for area where Project is located before beginning earth moving operations.

PART 2 - PRODUCTS

2.1 SOIL MATERIALS

- A. General: Provide borrow soil materials when sufficient satisfactory soil materials are not available from excavations.
- B. Satisfactory and Unsatisfactory Soils: Provide type of soils as per recommendation from a soil engineer. Remove from the site soils not recommended for filling and backfilling.
- C. Subbase Material: Naturally or artificially graded mixture of natural or crushed gravel, crushed stone, and natural or crushed sand; ASTM D 2940; with at least 90 percent passing a 1-1/2-inch sieve and not more than 12 percent passing a No. 200 sieve.
- D. Base Course: Naturally or artificially graded mixture of natural or crushed gravel, crushed stone, and natural or crushed sand; ASTM D 2940; with at least 95 percent passing a 1-1/2-inch sieve and not more than 8 percent passing a No. 200 sieve.
- E. Engineered Fill: Naturally or artificially graded mixture of natural or crushed gravel, crushed stone, and natural or crushed sand; ASTM D 2940; with at least 90 percent passing a 1-1/2-inch sieve and not more than 12 percent passing a No. 200 sieve.
- F. Bedding Course: Naturally or artificially graded mixture of natural or crushed gravel, crushed stone, and natural or crushed sand; ASTM D 2940; except with 100 percent passing a 1-inch sieve and not more than 8 percent passing a No. 200 sieve.
- G. Drainage Course: Unless otherwise shown on the drawings, narrowly graded mixture of washed crushed stone, or crushed or uncrushed gravel; ASTM D 448; coarse-aggregate grading Size 57; with 100 percent passing a 1-1/2-inch sieve and 0 to 5 percent passing a No. 8 sieve.

2.2 ACCESSORIES

- A. Warning Tape: Acid- and alkali-resistant, polyethylene film warning tape manufactured for marking and identifying underground utilities, 6 inches wide and 4 mils thick, continuously inscribed with a description of the utility; colored to comply with local practice or requirements of authorities having jurisdiction.
- B. Detectable Warning Tape: Acid- and alkali-resistant, polyethylene film warning tape manufactured for marking and identifying underground utilities, a minimum of 6 inches wide and 4 mils thick, continuously inscribed with a description of the utility, with metallic core encased in a protective jacket for corrosion protection, detectable by metal detector when tape is buried up to 30 inches deep; colored to comply with local practice or requirements of authorities having jurisdiction.

PART 3 - EXECUTION

3.1 PREPARATION

- A. Protect structures, utilities, sidewalks, pavements, and other facilities from damage caused by settlement, lateral movement, undermining, washout, and other hazards created by earth moving operations.
- B. Protect and maintain erosion and sedimentation controls during earth moving operations.

3.2 EXCAVATION, GENERAL

- A. Unclassified Excavation: Excavate to subgrade elevations regardless of the character of surface and subsurface conditions encountered. Unclassified excavated materials may include rock, soil materials, and obstructions. No changes in the Contract Sum or the Contract Time will be authorized for rock excavation or removal of obstructions.
 - 1. If excavated materials intended for fill and backfill include unsatisfactory soil materials and rock, replace with satisfactory soil materials.

3.3 EXCAVATION FOR WALKS AND PAVEMENTS

- A. Excavate surfaces under walks and pavements to indicated lines, cross sections, elevations, and subgrades.

3.4 EXCAVATION FOR UTILITY TRENCHES

- A. Excavate trenches to indicated gradients, lines, depths, and elevations.
- B. Excavate trenches to uniform widths to provide the following clearance on each side of pipe or conduit. Excavate trench walls vertically from trench bottom to 12 inches higher than top of pipe or conduit unless otherwise indicated.

1. Clearance: As indicated.
- C. Trench Bottoms: Excavate and shape trench bottoms to provide uniform bearing and support of pipes and conduit. Shape subgrade to provide continuous support for bells, joints, and barrels of pipes and for joints, fittings, and bodies of conduits. Remove projecting stones and sharp objects along trench subgrade.
1. Excavate trenches 6 inches deeper than elevation required in rock or other unyielding bearing material.
- D. Trenches in Tree- and Plant-Protection Zones:
1. Hand-excavate to indicated lines, cross sections, elevations, and subgrades. Use narrow-tine spading forks to comb soil and expose roots. Do not break, tear, or chop exposed roots. Do not use mechanical equipment that rips, tears, or pulls roots.
 2. Do not cut main lateral roots or taproots; cut only smaller roots that interfere with installation of utilities.
 3. Cut and protect roots according to requirements in Section 015639 "Temporary Tree and Plant Protection."

3.5 SUBGRADE INSPECTION

- A. Proof-roll subgrade below the pavements with a pneumatic-tired dump truck to identify soft pockets and areas of excess yielding. Do not proof-roll wet or saturated subgrades.
- B. Reconstruct subgrades damaged by rain, accumulated water, or construction activities, as directed by Architect, without additional compensation.

3.6 UNAUTHORIZED EXCAVATION

1. Fill unauthorized excavations under other construction, pipe, or conduit as directed by Architect.

3.7 STORAGE OF SOIL MATERIALS

- A. Stockpile borrow soil materials and excavated satisfactory soil materials without intermixing. Place, grade, and shape stockpiles to drain surface water. Cover to prevent windblown dust.
 1. Stockpile soil materials away from edge of excavations. Do not store within drip line of remaining trees.

3.8 UTILITY TRENCH BACKFILL

- A. Place backfill on subgrades free of mud.
- B. Place and compact bedding course on trench bottoms and where indicated. Shape bedding course to provide continuous support for bells, joints, and barrels of pipes and for joints, fittings, and bodies of conduits.

- C. Trenches under Roadways: Provide concrete encasement for water and sewer piping or conduit less than 30 inches below surface of roadways and 12 inches for storm drainage pipe. After installing and testing, completely encase piping or conduit in a minimum of 6 inches of concrete before backfilling or placing roadway subbase course. Concrete is specified in "Cast-in-Place Concrete".
- D. Unless otherwise specified by the soil engineer, place and compact initial backfill of subbase material, free of particles larger than 1 inch in any dimension, to a height of 12 inches over the pipe or conduit.
 - 1. Carefully compact initial backfill under pipe haunches and compact evenly up on both sides and along the full length of piping or conduit to avoid damage or displacement of piping or conduit. Coordinate backfilling with utilities testing.
- E. Place and compact final backfill of satisfactory soil to final subgrade elevation.
- F. Install warning tape directly above utilities, 12 inches below finished grade, except 6 inches below subgrade under pavements and slabs.

3.9 SOIL MOISTURE CONTROL

- A. Uniformly moisten or aerate subgrade and each subsequent fill or backfill soil layer before compaction to within 2 percent of optimum moisture content.
 - 1. Do not place backfill or fill soil material on surfaces that are muddy.
 - 2. Remove and replace, or scarify and air dry, otherwise satisfactory soil material that exceeds optimum moisture content by 2 percent and is too wet to compact to specified dry unit weight.

3.10 COMPACTION OF SOIL BACKFILLS AND FILLS

- A. Place backfill and fill soil materials in layers not more than 8 inches in loose depth for material compacted by heavy compaction equipment, and not more than 4 inches in loose depth for material compacted by hand-operated tampers.
- B. Place backfill and fill soil materials evenly on all sides of structures to required elevations, and uniformly along the full length of each structure.
- C. Compact soil materials to not less than the following percentages of maximum dry unit weight according to ASTM D 1557:
 - 1. Under pavements, scarify and recompact top 12 inches of existing subgrade and each layer of backfill or fill soil material at 95 percent.
 - 2. Under walkways, scarify and recompact top 6 inches below subgrade and compact each layer of backfill or fill soil material at 95 percent.
 - 3. Under turf or unpaved areas, scarify and recompact top 6 inches below subgrade and compact each layer of backfill or fill soil material at 85 percent.
 - 4. For utility trenches, compact each layer of initial and final backfill soil material at 95 percent.

3.11 GRADING

- A. General: Uniformly grade areas to a smooth surface, free of irregular surface changes. Comply with compaction requirements and grade to cross sections, lines, and elevations indicated.
- B. Site Rough Grading: Slope grades to direct water away from buildings and to prevent ponding. Finish subgrades to required elevations within the following tolerances:
 - 1. Turf or Unpaved Areas: Plus or minus 1 inch.
 - 2. Walks: Plus or minus 1 inch.
 - 3. Pavements: Plus or minus 1/2 inch.

3.12 SUBBASE AND BASE COURSES UNDER PAVEMENTS AND WALKS

- A. Place subbase course and base course on subgrades free of mud.
- B. On prepared subgrade, place subbase course and base course under pavements and walks as follows:
 - 1. Shape subbase course and base course to required crown elevations and cross-slope grades.
 - 2. Place subbase course and base course that exceeds 6 inches in compacted thickness in layers of equal thickness, with no compacted layer more than 6 inches thick or less than 3 inches thick.
 - 3. Compact subbase course and base course at optimum moisture content to required grades, lines, cross sections, and thickness to not less than 95 percent of maximum dry unit weight according to ASTM D 1557.

3.13 FIELD QUALITY CONTROL

- A. Earthwork for shall be monitored by a soil engineer.
- B. Testing Agency: Owner will engage a qualified geotechnical engineering testing agency to perform tests and inspections.
- C. Allow testing agency to inspect and test subgrades and each fill or backfill layer. Proceed with subsequent earth moving only after test results for previously completed work comply with requirements.
- D. When testing agency reports that subgrades, fills, or backfills have not achieved degree of compaction specified, scarify and moisten or aerate, or remove and replace soil materials to depth required; recompact and retest until specified compaction is obtained.

3.14 PROTECTION

- A. Protecting Graded Areas: Protect newly graded areas from traffic and erosion. Keep free of trash and debris.

- B. Repair and reestablish grades to specified tolerances where completed or partially completed surfaces become eroded, rutted, settled, or where they lose compaction due to subsequent construction operations or weather conditions.
- C. Where settling occurs before Project correction period elapses, remove finished surfacing, backfill with additional soil material, compact, and reconstruct surfacing.
 - 1. Restore appearance, quality, and condition of finished surfacing to match adjacent work, and eliminate evidence of restoration to greatest extent possible.

3.15 DISPOSAL OF SURPLUS AND WASTE MATERIALS

- A. Remove surplus satisfactory soil and waste materials, including unsatisfactory soil, trash, and debris, and legally dispose of them off Owner's property.

END OF SECTION 312000

SECTION 312319 - DEWATERING

PART 1 - GENERAL

1.1 RELATED DOCUMENTS

- A. Drawings and general provisions of the Contract, including General and Supplementary Conditions and Division 01 Specification Sections, apply to this Section.

1.2 SUMMARY

- A. Section includes construction dewatering.
- B. Related Requirements:
 - 1. Section 013233 "Photographic Documentation" for recording preexisting conditions and dewatering system progress.
 - 2. Section 312000 "Earth Moving" for excavating, backfilling, site grading, and controlling surface-water runoff and ponding.
 - 3. Section 334600 "Subdrainage" for permanent foundation wall, underfloor, and footing drainage.

1.3 ACTION SUBMITTALS

- A. Shop Drawings: For dewatering system, prepared by or under the supervision of a qualified professional engineer.
 - 1. Include plans, elevations, sections, and details.
 - 2. Show arrangement, locations, and details of wells and well points; locations of risers, headers, filters, pumps, power units, and discharge lines; and means of discharge, control of sediment, and disposal of water.
 - 3. Include layouts of piezometers and flow-measuring devices for monitoring performance of dewatering system.
 - 4. Include written plan for dewatering operations including sequence of well and well-point placement coordinated with excavation shoring and bracings and control procedures to be adopted if dewatering problems arise.

1.4 INFORMATIONAL SUBMITTALS

- A. Qualification Data: For Installer and professional engineer.
- B. Field quality-control reports.
- C. Existing Conditions: Using photographs, show existing conditions of adjacent construction and site improvements that might be misconstrued as damage caused by dewatering operations. Submit before Work begins.

- D. Record Drawings: Identify locations and depths of capped wells and well points and other abandoned-in-place dewatering equipment.

1.5 QUALITY ASSURANCE

- A. Installer Qualifications: An experienced installer that has specialized in design of dewatering systems and dewatering work.

1.6 FIELD CONDITIONS

- A. Project-Site Information: A geotechnical report has been prepared for this Project and is available for information only. The opinions expressed in this report are those of a geotechnical engineer and represent interpretations of subsoil conditions, tests, and results of analyses conducted by a geotechnical engineer. Owner is not responsible for interpretations or conclusions drawn from this data.
 - 1. Make additional test borings and conduct other exploratory operations necessary for dewatering according to the performance requirements.
 - 2. The geotechnical report is included elsewhere in Project Manual.
- B. Survey Work: Engage a qualified land surveyor or professional engineer to survey adjacent existing buildings, structures, and site improvements; establish exact elevations at fixed points to act as benchmarks. Clearly identify benchmarks and record existing elevations.

PART 2 - PRODUCTS

2.1 PERFORMANCE REQUIREMENTS

- A. Dewatering Performance: Design, furnish, install, test, operate, monitor, and maintain dewatering system of sufficient scope, size, and capacity to control hydrostatic pressures and to lower, control, remove, and dispose of ground water and permit excavation and construction to proceed on dry, stable subgrades.
 - 1. Design dewatering system, including comprehensive engineering analysis by a qualified professional engineer.
 - 2. Continuously monitor and maintain dewatering operations to ensure erosion control, stability of excavations and constructed slopes, prevention of flooding in excavation, and prevention of damage to subgrades and permanent structures.
 - 3. Prevent surface water from entering excavations by grading, dikes, or other means.
 - 4. Accomplish dewatering without damaging existing buildings, structures, and site improvements adjacent to excavation.
 - 5. Remove dewatering system when no longer required for construction.
- B. Regulatory Requirements: Comply with governing EPA notification regulations before beginning dewatering. Comply with water- and debris-disposal regulations of authorities having jurisdiction.

PART 3 - EXECUTION

3.1 PREPARATION

- A. Protect structures, utilities, sidewalks, pavements, and other facilities from damage caused by settlement, lateral movement, undermining, washout, and other hazards created by dewatering operations.
 - 1. Prevent surface water and subsurface or ground water from entering excavations, from ponding on prepared subgrades, and from flooding site or surrounding area.
 - 2. Protect subgrades and foundation soils from softening and damage by rain or water accumulation.
- B. Install dewatering system to ensure minimum interference with roads, streets, walks, and other adjacent occupied and used facilities.
 - 1. Do not close or obstruct streets, walks, or other adjacent occupied or used facilities without permission from Owner and authorities having jurisdiction. Provide alternate routes around closed or obstructed traffic ways if required by authorities having jurisdiction.
- C. Provide temporary grading to facilitate dewatering and control of surface water.
- D. Protect and maintain temporary erosion and sedimentation controls, which are specified in Section 311000 "Site Clearing," During dewatering operations.

3.2 INSTALLATION

- A. Install dewatering system utilizing wells, well points, or similar methods complete with pump equipment, standby power and pumps, filter material gradation, valves, appurtenances, water disposal, and surface-water controls.
 - 1. Space well points or wells at intervals required to provide sufficient dewatering.
 - 2. Use filters or other means to prevent pumping of fine sands or silts from the subsurface.
- B. Place dewatering system into operation to lower water to specified levels before excavating below ground-water level.
- C. Provide sumps, sedimentation tanks, and other flow-control devices as required by authorities having jurisdiction.
- D. Provide standby equipment on-site, installed and available for immediate operation, to maintain dewatering on continuous basis if any part of system becomes inadequate or fails.

3.3 OPERATION

- A. Operate system continuously until drains, sewers, and structures have been constructed and fill materials have been placed or until dewatering is no longer required.

- B. Operate system to lower and control ground water to permit excavation, construction of structures, and placement of fill materials on dry subgrades. Drain water-bearing strata above and below bottom of foundations, drains, sewers, and other excavations.
 - 1. Do not permit open-sump pumping that leads to loss of fines, soil piping, subgrade softening, and slope instability.
 - 2. Reduce hydrostatic head in water-bearing strata below subgrade elevations of foundations, drains, sewers, and other excavations.
- C. Dispose of water removed by dewatering in a manner that avoids endangering public health, property, and portions of work under construction or completed. Dispose of water and sediment in a manner that avoids inconvenience to others.
- D. Remove dewatering system from Project site on completion of dewatering. Plug or fill well holes with sand or cut off and cap wells a minimum of 36 inches (900 mm) below overlying construction.

3.4 FIELD QUALITY CONTROL

- A. Observation Wells: Provide observation wells or piezometers, take measurements, and maintain at least the minimum number indicated; additional observation wells may be required by authorities having jurisdiction.
 - 1. Observe and record daily elevation of ground water and piezometric water levels in observation wells.
 - 2. Repair or replace, within 24 hours, observation wells that become inactive, damaged, or destroyed. In areas where observation wells are not functioning properly, suspend construction activities until reliable observations can be made. Add or remove water from observation-well risers to demonstrate that observation wells are functioning properly.
 - 3. Fill observation wells, remove piezometers, and fill holes when dewatering is completed.
- B. Survey-Work Benchmarks: Resurvey benchmarks regularly during dewatering and maintain an accurate log of surveyed elevations for comparison with original elevations. Promptly notify Architect if changes in elevations occur or if cracks, sags, or other damage is evident in adjacent construction.
- C. Provide continual observation to ensure that subsurface soils are not being removed by the dewatering operation.
- D. Prepare reports of observations.

3.5 PROTECTION

- A. Protect and maintain dewatering system during dewatering operations.
- B. Promptly repair damages to adjacent facilities caused by dewatering.

DRAINAGE CORRECTION G250
Toto Maite, Guam

October 2021

END OF SECTION 312319

SECTION 315000 - EXCAVATION SUPPORT AND PROTECTION

PART 1 - GENERAL

1.1 RELATED DOCUMENTS

- A. Drawings and general provisions of the Contract, including General and Supplementary Conditions and Division 01 Specification Sections, apply to this Section.

1.2 SUMMARY

- A. Section includes temporary excavation support and protection systems.
- B. Related Requirements:
 - 1. Section 312000 "Earth Moving" for excavating and backfilling and for controlling surface-water runoff and ponding.
 - 2. Section 312319 "Dewatering" for dewatering excavations.

1.3 ACTION SUBMITTALS

- A. Product Data: For each type of product.
 - 1. Include construction details, material descriptions, performance properties, and dimensions of individual components and profiles, and calculations for excavation support and protection system.
- B. Shop Drawings: For excavation support and protection system, prepared by or under the supervision of a qualified professional engineer.
 - 1. Include plans, elevations, sections, and details.
 - 2. Show arrangement, locations, and details of soldier piles, piling, lagging, tiebacks, bracing, and other components of excavation support and protection system according to engineering design.
 - 3. Indicate type and location of waterproofing.
 - 4. Include a written plan for excavation support and protection, including sequence of construction of support and protection coordinated with progress of excavation.

1.4 INFORMATIONAL SUBMITTALS

- A. Qualification Data: For professional engineer.
- B. Contractor Calculations: For excavation support and protection system. Include analysis data signed and sealed by the qualified professional engineer responsible for their preparation.

- C. Existing Conditions: Using photographs, show existing conditions of adjacent construction and site improvements that might be misconstrued as damage caused by inadequate performance of excavation support and protection systems. Submit before Work begins.
- D. Record Drawings: Identify locations and depths of capped utilities, abandoned-in-place support and protection systems, and other subsurface structural, electrical, or mechanical conditions.

1.5 FIELD CONDITIONS

- A. Interruption of Existing Utilities: Do not interrupt any utility serving facilities occupied by Owner or others unless permitted under the following conditions and then only after arranging to provide temporary utility according to requirements indicated:
 - 1. Notify Owner no fewer than two (2) days in advance of proposed interruption of utility.
 - 2. Do not proceed with interruption of utility without Owner's written permission.
- B. Project-Site Information: A geotechnical report has been prepared for this Project and is available for information only. The opinions expressed in this report are those of a geotechnical engineer and represent interpretations of subsoil conditions, tests, and results of analyses conducted by a geotechnical engineer. Owner is not responsible for interpretations or conclusions drawn from the data.
 - 1. Make additional test borings and conduct other exploratory operations necessary for excavation support and protection according to the performance requirements.
 - 2. The geotechnical report is included elsewhere in Project Manual.
- C. Survey Work: Engage a qualified land surveyor or professional engineer to survey adjacent existing buildings, structures, and site improvements; establish exact elevations at fixed points to act as benchmarks. Clearly identify benchmarks and record existing elevations.

PART 2 - PRODUCTS

2.1 PERFORMANCE REQUIREMENTS

- A. Provide design, monitor, and maintain excavation support and protection system capable of supporting excavation sidewalls and of resisting earth and hydrostatic pressures and superimposed and construction loads.
 - 1. Contractor Design: Design excavation support and protection system, including comprehensive engineering analysis by a qualified professional engineer.
 - 2. Prevent surface water from entering excavations by grading, dikes, or other means.
 - 3. Install excavation support and protection systems without damaging existing buildings, structures, and site improvements adjacent to excavation.
 - 4. Continuously monitor vibrations, settlements, and movements to ensure stability of excavations and constructed slopes and to ensure that damage to permanent structures is prevented.

2.2 MATERIALS

- A. General: Provide materials that are either new or in serviceable condition.
- B. Structural Steel: ASTM A 36/A .
- C. Steel Sheet Piling: ASTM A 328/A ; with continuous interlocks.
 - 1. Corners: Site-fabricated mechanical interlock.
- D. Wood Lagging: Lumber, mixed hardwood, nominal rough thickness of size and strength required for application 3 inches .
- E. Shotcrete: Comply with Section 033713 "Shotcrete" for shotcrete materials and mixes, reinforcement, and shotcrete application.
- F. Cast-in-Place Concrete: ACI 301, of compressive strength required for application.
- G. Reinforcing Bars: ASTM A 615/A, Grade 60 , deformed.
- H. Tiebacks: Steel bars, ASTM A 722/A .
- I. Tiebacks: Steel strand, ASTM A 416.

PART 3 - EXECUTION

3.1 PREPARATION

- A. Protect structures, utilities, sidewalks, pavements, and other facilities from damage caused by settlement, lateral movement, undermining, washout, and other hazards that could develop during excavation support and protection system operations.
 - 1. Shore, support, and protect utilities encountered.
- B. Install excavation support and protection systems to ensure minimum interference with roads, streets, walks, and other adjacent occupied and used facilities.
 - 1. Do not close or obstruct streets, walks, or other adjacent occupied or used facilities without permission from Owner and authorities having jurisdiction. Provide alternate routes around closed or obstructed traffic ways if required by authorities having jurisdiction.
- C. Locate excavation support and protection systems clear of permanent construction so that construction and finishing of other work is not impeded.

3.2 SOLDIER PILES AND LAGGING

- A. Install steel soldier piles before starting excavation. Extend soldier piles below excavation grade level to depths adequate to prevent lateral movement. Space soldier piles at regular

intervals not to exceed allowable flexural strength of wood lagging. Accurately align exposed faces of flanges to vary not more than 2 inches (50 mm) from a horizontal line and not more than 1:120 out of vertical alignment.

- B. Install wood lagging within flanges of soldier piles as excavation proceeds. Trim excavation as required to install lagging. Fill voids behind lagging with soil, and compact.
- C. Install wales horizontally at locations indicated on Drawings and secure to soldier piles.

3.3 SHEET PILING

- A. Before starting excavation, install one-piece sheet piling lengths and tightly interlock vertical edges to form a continuous barrier.
- B. Accurately place the piling, using templates and guide frames unless otherwise recommended in writing by the sheet piling manufacturer. Limit vertical offset of adjacent sheet piling to 60 inches (1500 mm). Accurately align exposed faces of sheet piling to vary not more than 2 inches (50 mm) from a horizontal line and not more than 1:120 out of vertical alignment .
- C. Cut tops of sheet piling to uniform elevation at top of excavation.

3.4 TIEBACKS

- A. Drill, install, grout, and tension tiebacks.
- B. Test load-carrying capacity of each tieback and replace and retest deficient tiebacks.
 - 1. Have test loading observed by a qualified professional engineer responsible for design of excavation support and protection system.
- C. Maintain tiebacks in place until permanent construction is able to withstand lateral earth and hydrostatic pressures.

3.5 BRACING

- A. Bracing: Locate bracing to clear columns, floor framing construction, and other permanent work. If necessary to move brace, install new bracing before removing original brace.
 - 1. Do not place bracing where it will be cast into or included in permanent concrete work unless otherwise approved by Architect.
 - 2. Install internal bracing if required to prevent spreading or distortion of braced frames.
 - 3. Maintain bracing until structural elements are supported by other bracing or until permanent construction is able to withstand lateral earth and hydrostatic pressures.

3.6 FIELD QUALITY CONTROL

- A. Survey-Work Benchmarks: Resurvey benchmarks regularly during installation of excavation support and protection systems, excavation progress, and for as long as excavation remains

open. Maintain an accurate log of surveyed elevations and positions for comparison with original elevations and positions. Promptly notify Architect if changes in elevations or positions occur or if cracks, sags, or other damage is evident in adjacent construction.

- B. Promptly correct detected bulges, breakage, or other evidence of movement to ensure that excavation support and protection system remains stable.
- C. Promptly repair damages to adjacent facilities caused by installation or faulty performance of excavation support and protection systems.

3.7 REMOVAL AND REPAIRS

- A. Remove excavation support and protection systems when construction has progressed sufficiently to support excavation and earth and hydrostatic pressures. Remove in stages to avoid disturbing underlying soils and rock or damaging structures, pavements, facilities, and utilities.
 - 1. Remove excavation support and protection systems to a minimum depth of 48 inches (1200 mm) below overlying construction and abandon remainder.
 - 2. Fill voids immediately with approved backfill compacted to density specified in Section 312000 "Earth Moving."
 - 3. Repair or replace, as approved by Architect, adjacent work damaged or displaced by removing excavation support and protection systems.
- B. Leave excavation support and protection systems permanently in place.

END OF SECTION 315000

SECTION 323113 - CHAIN LINK FENCES AND GATES

PART 1 - GENERAL

1.1 SUMMARY

- A. Section includes chain-link fences and swing gates.

1.2 PERFORMANCE REQUIREMENTS

- A. Delegated Design: Design chain-link fences and gates, including comprehensive engineering analysis by a qualified professional engineer, using performance requirements and design criteria indicated.
- B. Structural Performance: Chain-link fence and gate framework shall withstand the effects of gravity loads and wind load with $V=195\text{mph}$ under conditions indicated according to ASCE/SEI 7:
 - 1. Minimum Post Size: Determine according to ASTM F 1043 for framework up to 6 feet high, and post spacing not to exceed 10 feet.
 - 2. Minimum Post Size and Maximum Spacing: Determine according to CLFMI WLG 2445, based on mesh size and pattern specified and on the following:
 - a. Wind Loads: $V=195\text{mph}$
 - b. Exposure Category: C
 - c. Fence Height: 6 feet
 - d. Material Group: IA, ASTM F 1043 Grade B.

1.3 ACTION SUBMITTALS

- A. Product Data: For each type of product indicated
- B. Shop Drawings: Include plans, elevations, sections, details, and attachments to other work.
- C. Samples: For each polymer-coated product and for each color and texture specified, in 6-inch lengths for components and on full-sized units for accessories.
- D. Delegated-Design Submittal: For chain-link fences and gate framework indicated to comply with performance requirements and design criteria, including analysis data signed and sealed by the qualified professional engineer responsible for their preparation.

1.4 INFORMATIONAL SUBMITTALS

- A. Product Certificates: For each type of chain-link fence and gate, from manufacturer.
- B. Product Test Reports: For framing strength according to ASTM F 1043.

- C. Sample of special warranty.

1.5 CLOSEOUT SUBMITTALS

- A. Operation and maintenance data.

1.6 WARRANTY

- A. Special Warranty: Manufacturer's standard form in which Contractor/Installer agrees to repair or replace components of chain-link fences and gates that fail in materials or workmanship within specified warranty period.
 - 1. Failures include, but are not limited to, deterioration of metals, metal finishes, and other materials beyond normal weathering.
 - 2. Warranty Period: Five years from date of Substantial Completion.

PART 2 - PRODUCTS

2.1 CHAIN-LINK FENCE FABRIC

- A. General: Provide fabric in one-piece heights measured between top and bottom of outer edge of selvage knuckle or twist. Comply with CLFMI Product Manual and with requirements indicated below:
 - 1. Fabric Height: As indicated on Drawings.
 - 2. Steel Wire Fabric: Wire with a diameter of 0.192 inch.
 - a. Mesh Size: 1-3/4 inches
 - b. Polymer-Coated Fabric: ASTM F 668, Class 1 over zinc-coated steel wire.
 - 1) Color: As selected by Architect, complying with ASTM F 934.
 - 3. Selvage: Twisted top and knuckled bottom.

2.2 FENCE FRAMING

- A. Posts and Rails: Comply with ASTM F 1043 for framing, including rails, braces, and line; terminal; and corner posts. Provide members with minimum dimensions and wall thickness according to ASTM F 1043 based on the following:
 - 1. Fence Height: As indicated on Drawings
 - 2. Light Industrial Strength: Material Group IC-L, round steel pipe.
 - a. Line Post: 2.375 inches diameter
 - b. End, Corner and Pull Post: 2.375 inches.
 - 3. Horizontal Framework Members: top and bottom rails complying with ASTM F 1043.

4. Brace Rails: Comply with ASTM F 1043.
5. Zing coating for Steel Framing:

2.3 TENSION WIRE

- A. Metallic-Coated Steel Wire: 0.177-inch- diameter, marcelled tension wire complying with ASTM A 817 and ASTM A 824, with the following metallic coating:
 1. Type II, zinc coated with minimum coating weight matching chain-link fabric coating weight.

2.4 SWING GATES

- A. General: Comply with ASTM F 900 for gate posts and double swing gate types.
 1. Gate Leaf Width: As indicated
 2. Gate Fabric Height: As indicated
- B. Pipe and Tubing:
 1. Zinc-Coated Steel: Comply with ASTM F 1043 and ASTM F 1083
- C. Hardware:
 1. Hinges: 180-degree outward swing.
 2. Latches permitting operation from both sides of gate with provision for padlocking accessible from both sides of gate.
 3. Closer: Manufacturer's standard

2.5 GROUT AND ANCHORING CEMENT

- A. Nonshrink, Nonmetallic Grout: Premixed, factory-packaged, nonstaining, noncorrosive, nongaseous grout complying with ASTM C 1107. Provide grout, recommended in writing by manufacturer, for exterior applications.
- B. Erosion-Resistant Anchoring Cement: Factory-packaged, nonshrink, nonstaining, hydraulic-controlled expansion cement formulation for mixing with potable water at Project site to create pourable anchoring, patching, and grouting compound. Provide formulation that is resistant to erosion from water exposure without needing protection by a sealer or waterproof coating and that is recommended in writing by manufacturer, for exterior applications.

PART 3 - EXECUTION

3.1 INSTALLATION

- A. Examine areas and conditions, with Installer present, for compliance with requirements for a verified survey of property lines and legal boundaries, site clearing, earthwork, pavement work, and other conditions affecting performance of the Work.

1. Do not begin installation before final grading is completed unless otherwise permitted by Architect.
- B. Proceed with installation only after unsatisfactory conditions have been corrected.
- C. Stake locations of fence lines, gates, and terminal posts. Do not exceed intervals of 500 feet or line of sight between stakes. Indicate locations of utilities, lawn sprinkler system, underground structures, benchmarks, and property monuments.
- D. Install chain-link fencing to comply with ASTM F 567 and more stringent requirements indicated.
- E. Post Excavation: Drill or hand-excavate holes for posts to diameters and spacings indicated, in firm, undisturbed soil.
- F. Post Setting: Set posts in concrete as indicated.
 1. Verify that posts are set plumb, aligned, and at correct height and spacing, and hold in position during setting with concrete or mechanical devices.
 2. Concrete Fill: Place concrete around posts to dimensions indicated and vibrate or tamp for consolidation. Protect aboveground portion of posts from concrete splatter.
- G. Terminal Posts: Locate terminal end, corner, and gate posts per ASTM F 567 and terminal pull posts at changes in horizontal alignment as indicated on Drawings.
- H. Line Posts: Space line posts uniformly at 10 feet o.c.
- I. Tension Wire: Install according to ASTM F 567, maintaining plumb position and alignment of fencing. Provide horizontal tension wire at the following locations:
 1. Extended along top and bottom of fence fabric.
- J. Chain-Link Fabric: Apply fabric to outside inside of enclosing framework. Leave 1 inch between finish grade or surface and bottom selvage unless otherwise indicated.
- K. Install gates according to manufacturer's written instructions, level, plumb, and secure for full opening without interference. Attach fabric as for fencing. Attach hardware using tamper-resistant or concealed means. Install ground-set items in concrete for anchorage. Adjust hardware for smooth operation and lubricate where necessary.
- L. Gates: Adjust gates to operate smoothly, easily, and quietly, free of binding, warp, excessive deflection, distortion, nonalignment, misplacement, disruption, or malfunction, throughout entire operational range. Confirm that latches and locks engage accurately and securely without forcing or binding.

END OF SECTION 323113

SECTION 334100 - STORM UTILITY DRAINAGE PIPING

PART 1 - GENERAL

1.1 SUMMARY

A. Section Includes:

1. Pipe and fittings.
2. Channel drainage systems.
3. Encasement for piping.
4. Manholes.
5. Cleanouts.
6. Catch basins.
7. Pipe outlets.

1.2 ACTION SUBMITTALS

A. Product Data: For each type of product indicated.

B. Shop Drawings:

1. Manholes: Include plans, elevations, sections, details, frames, and covers.
2. Catch basins and stormwater inlets. Include plans, elevations, sections, details, frames, covers, and grates.

1.3 INFORMATIONAL SUBMITTALS

A. Coordination Drawings: Show pipe sizes, locations, and elevations. Show other piping in same trench and clearances from storm drainage system piping. Indicate interface and spatial relationship between manholes, piping, and proximate structures.

B. Profile Drawings: Show system piping in elevation. Draw profiles at horizontal scale of not less than 1 inch equals 50 feet and vertical scale of not less than 1 inch equals 5 feet. Indicate manholes and piping. Show types, sizes, materials, and elevations of other utilities crossing system piping.

C. Product Certificates: For each type of cast-iron soil pipe and fitting, from manufacturer.

D. Field quality-control reports.

PART 2 - PRODUCTS

- A. Corrugated PE Pipe and Fittings NPS 12 to NPS 60: AASHTO M 294M, Type S, with smooth waterway for coupling joints.

1. Silttight Couplings: PE sleeve with ASTM D 1056, Type 2, Class A, Grade 2 gasket material that mates with pipe and fittings.
2. Soiltight Couplings: AASHTO M 294M, corrugated, matching pipe and fittings.

2.2 PVC PIPE AND FITTINGS

A. PVC Corrugated Sewer Piping:

1. Pipe: ASTM F 949, PVC, corrugated pipe with bell-and-spigot ends for gasketed joints.
2. Fittings: ASTM F 949, PVC molded or fabricated, socket type.
3. Gaskets: ASTM F 477, elastomeric seals.

2.3 CLEANOUTS

A. Cast-Iron Cleanouts:

1. Description: ASME A112.36.2M, round, gray-iron housing with clamping device and round, secured, scoriated, gray-iron cover. Include gray-iron ferrule with inside calk or spigot connection and countersunk, tapered-thread, brass closure plug.
2. Top-Loading Classification(s): Heavy Duty.
3. Sewer Pipe Fitting and Riser to Cleanout: ASTM A 74, Service class, cast-iron soil pipe and fittings.

B. Plastic Cleanouts:

1. Description: PVC body with PVC threaded plug. Include PVC sewer pipe fitting and riser to cleanout of same material as sewer piping.

2.4 MANHOLES

A. Standard Precast Concrete Manholes:

1. Description: ASTM C 478, precast, reinforced concrete, of depth indicated, with provision for sealant joints.
2. Diameter: 36 inches minimum unless otherwise indicated.
3. Ballast: Increase thickness of precast concrete sections or add concrete to base section as required to prevent flotation.
4. Base Section: 10-inch minimum thickness and 6-inch minimum thickness for walls and base riser section, and separate base slab or base section with integral floor.
5. Riser Sections: 6-inch minimum thickness, and lengths to provide depth indicated.
6. Top Section: Eccentric-cone type unless concentric-cone or flat-slab-top type is indicated, and top of cone of size that matches grade rings.
7. Joint Sealant: ASTM C 990, bitumen or butyl rubber.
8. Resilient Pipe Connectors: ASTM C 923, cast or fitted into manhole walls, for each pipe connection.
9. Steps: Individual hot-dipped galvanized ladder rungs wide enough to allow worker to place both feet on one step and designed to prevent lateral slippage off step. Cast or

anchor steps into sidewalls at 12- to 16-inch intervals. Omit steps if total depth from floor of manhole to finished grade is less than 60 inches.

10. Adjusting Rings: Interlocking HDPE rings with level or sloped edge in thickness and diameter matching manhole frame and cover, and of height required to adjust manhole frame and cover to indicated elevation and slope. Include sealant recommended by ring manufacturer.
11. Grade Rings: Reinforced-concrete rings, 6- to 9-inch total thickness, to match diameter of manhole frame and cover, and height as required to adjust manhole frame and cover to indicated elevation and slope.

B. Manhole Frames and Covers:

1. Description: Ferrous; 36-inch ID by 7- to 9-inch riser with 4-inch- minimum width flange. Include indented top design with lettering cast into cover, using wording equivalent to "STORM SEWER."
2. Material: ASTM A 536, Grade 60-40-18 ductile iron unless otherwise indicated.

2.5 CONCRETE

A. General: Cast-in-place concrete according to ACI 318, ACI 350/350R, and the following:

1. Cement: ASTM C 150, Type II.
2. Fine Aggregate: ASTM C 33, sand.
3. Coarse Aggregate: ASTM C 33, crushed gravel.
4. Water: Potable.

B. Portland Cement Design Mix: 4000 psi minimum, with 0.45 maximum water/cementitious materials ratio.

1. Reinforcing Fabric: ASTM A 185, steel, welded wire fabric, plain.
2. Reinforcing Bars: ASTM A 615, Grade 60 deformed steel.

C. Manhole Channels and Benches: Factory or field formed from concrete. Portland cement design mix, 4000 psi minimum, with 0.45 maximum water/cementitious materials ratio. Include channels and benches in manholes.

1. Channels: Concrete invert, formed to same width as connected piping, with height of vertical sides to three-fourths of pipe diameter. Form curved channels with smooth, uniform radius and slope.
 - a. Invert Slope: **2** percent through manhole.
2. Benches: Concrete, sloped to drain into channel.
 - a. Slope: **8** percent.

D. Ballast and Pipe Supports: Portland cement design mix, 4000 psi minimum, with 0.58 maximum water/cementitious materials ratio.

1. Reinforcing Fabric: ASTM A 185, steel, welded wire fabric, plain.

2. Reinforcing Bars: ASTM A 615, Grade 60 deformed steel.

2.6 CATCH BASINS

A. Standard Precast Concrete Catch Basins:

1. Description: ASTM C 478, precast, reinforced concrete, of depth indicated, with provision for sealant joints.
2. Base Section: 8-inch minimum thickness for and 8-inch minimum thickness for walls.
3. Joint Sealant: ASTM C 990, bitumen or butyl rubber.
4. Pipe Connectors: ASTM C 923, resilient, of size required, for each pipe connecting to base section.

B. Frames and Grates: ASTM A 536, Grade 60-40-18, ductile iron designed for A-16, structural loading. Include flat grate with small square or short-slotted drainage openings.

1. Size: 24 by 36 inches minimum unless otherwise indicated.
2. Grate Free Area: Approximately 50 percent unless otherwise indicated.

C. Frames and Grates: ASTM A 536, Grade 60-40-18, ductile iron designed for HS-20, structural traffic loading.

2.7 PIPE OUTLETS

A. Head Walls: Cast-in-place reinforced concrete, with apron and tapered sides.

B. Riprap Basins: Grouted and broken, irregularly sized and shaped, graded stones.

PART 3 - EXECUTION

3.1 EARTHWORK

- A. Excavation, trenching, and backfilling are specified in Section 312000 "Earth Moving."

3.2 PIPING INSTALLATION

- A. General Locations and Arrangements: Drawing plans and details indicate general location and arrangement of underground storm drainage piping. Location and arrangement of piping layout take into account design considerations. Install piping as indicated, to extent practical. Where specific installation is not indicated, follow piping manufacturer's written instructions.

- B. Install piping beginning at low point, true to grades and alignment indicated with unbroken continuity of invert. Place bell ends of piping facing upstream. Install gaskets, seals, sleeves, and couplings according to manufacturer's written instructions for use of lubricants, cements, and other installation requirements.

- C. Install manholes for changes in direction unless fittings are indicated. Use fittings for branch connections unless direct tap into existing sewer is indicated.
- D. Install proper size increasers, reducers, and couplings where different sizes or materials of pipes and fittings are connected. Reducing size of piping in direction of flow is prohibited.
- E. When installing pipe under streets or other obstructions that cannot be disturbed, use pipe-jacking process of microtunneling.
- F. Install gravity-flow, nonpressure drainage piping according to the following:
 - 1. Install piping pitched down in direction of flow.
 - 2. Install piping NPS 6 and larger with restrained joints at tee fittings and at changes in direction. Use corrosion-resistant rods, pipe or fitting manufacturer's proprietary restraint system, or cast-in-place concrete supports or anchors.
 - 3. Install PE corrugated sewer piping according to ASTM D 2321.
 - 4. Install PVC sewer piping according to ASTM D 2321 and ASTM F 1668.

3.3 MANHOLE INSTALLATION

- A. General: Install manholes, complete with appurtenances and accessories indicated.
- B. Install precast concrete manhole sections with sealants according to ASTM C 891.
- C. Where specific manhole construction is not indicated, follow manhole manufacturer's written instructions.
- D. Set tops of frames and covers flush with finished surface of manholes that occur in pavements. Set tops 3 inches above finished surface elsewhere unless otherwise indicated.

3.4 CATCH BASIN INSTALLATION

- A. Set frames and grates to elevations indicated.

3.5 STORMWATER INLET AND **OUTLET** INSTALLATION

- A. Construct inlet head walls, aprons, and sides of reinforced concrete, as indicated.
- B. Construct riprap of broken stone, as indicated.
- C. Install outlets that spill onto grade, anchored with concrete, where indicated.
- D. Install outlets that spill onto grade, with flared end sections that match pipe, where indicated.

3.6 CONCRETE PLACEMENT

- A. Place cast-in-place concrete according to ACI 318.

3.7 CHANNEL DRAINAGE SYSTEM (TRENCH DRAIN) INSTALLATION

- A. Install with top surfaces of components, except piping, flush with finished surface.
- B. Assemble channel sections at least 2% slope to form slope down toward drain outlets. Use sealants, adhesives, fasteners, and other materials recommended by system manufacturer.
- C. Embed channel sections and drainage specialties in 4-inch minimum concrete around bottom and sides.
- D. Fasten grates to channel sections if indicated.
- E. Assemble channel sections with flanged or interlocking joints.
- F. Embed channel sections in 4-inch minimum concrete around bottom and sides.

3.8 IDENTIFICATION

- A. Materials and their installation are specified in Section 312000 "Earth Moving." Arrange for installation of green warning tape directly over piping and at outside edge of underground structures.
 1. Use detectable warning tape over nonferrous piping and over edges of underground structures.

3.9 FIELD QUALITY CONTROL

- A. Inspect interior of piping to determine whether line displacement or other damage has occurred. Inspect after approximately 24 inches of backfill is in place, and again at completion of Project.
 1. Submit separate reports for each system inspection.
 2. Defects requiring correction include the following:
 - a. Alignment: Less than full diameter of inside of pipe is visible between structures.
 - b. Deflection: Flexible piping with deflection that prevents passage of ball or cylinder of size not less than 92.5 percent of piping diameter.
 - c. Damage: Crushed, broken, cracked, or otherwise damaged piping.
 - d. Infiltration: Water leakage into piping.
 - e. Exfiltration: Water leakage from or around piping.
 3. Replace defective piping using new materials, and repeat inspections until defects are within allowances specified.
 4. Reinspect and repeat procedure until results are satisfactory.
- B. Test new piping systems, and parts of existing systems that have been altered, extended, or repaired, for leaks and defects.
 1. Do not enclose, cover, or put into service before inspection and approval.
 2. Test completed piping systems according to requirements of authorities having jurisdiction.

3. Schedule tests and inspections by authorities having jurisdiction with at least 24 hours' advance notice.
 4. Submit separate report for each test.
 5. Gravity-Flow Storm Drainage Piping: Test according to requirements of authorities having jurisdiction, UNI-B-6, and the following:
 - a. Exception: Piping with soiltight joints unless required by authorities having jurisdiction.
 - b. Option: Test plastic piping according to ASTM F 1417.
- C. Leaks and loss in test pressure constitute defects that must be repaired.
- D. Replace leaking piping using new materials, and repeat testing until leakage is within allowances specified.

END OF SECTION 334100

IFB# GHURA-06-06-2022-AMP4 (RE-BID)

**Specification
for the**

Drainage Correction GH250, Toto Gardens

**OWNER
Guam Housing and Urban Renewal Authority**

**BY: _____
Elizabeth F. Napoli, Acting EXECUTIVE DIRECTOR**

Contractor: _____

**By: _____
Signature and Title**

Date: _____

END OF SPECIFICATION